

## Peak Sensitivity Wavelength: 525nm

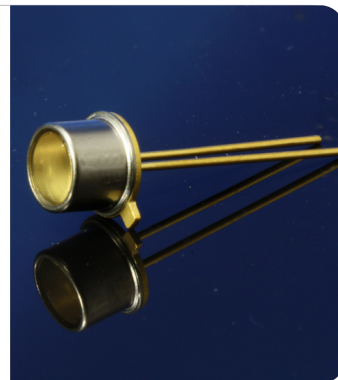
Visible Photo Diode enhanced for the Blue/Green Spectrum

### FEATURES

- > Chip Active Area 0.62mm<sup>2</sup>
- > Hermetically Sealed TO-18
- > Gold Plated Flat Top Can
- > High Reliability
- > Wide Angular Response

### APPLICATIONS

- > Optical Analytics
- > Optical Switches
- > Light Barriers
- > Currency Validation



## Absolute Maximum Ratings (Ta=25°C)



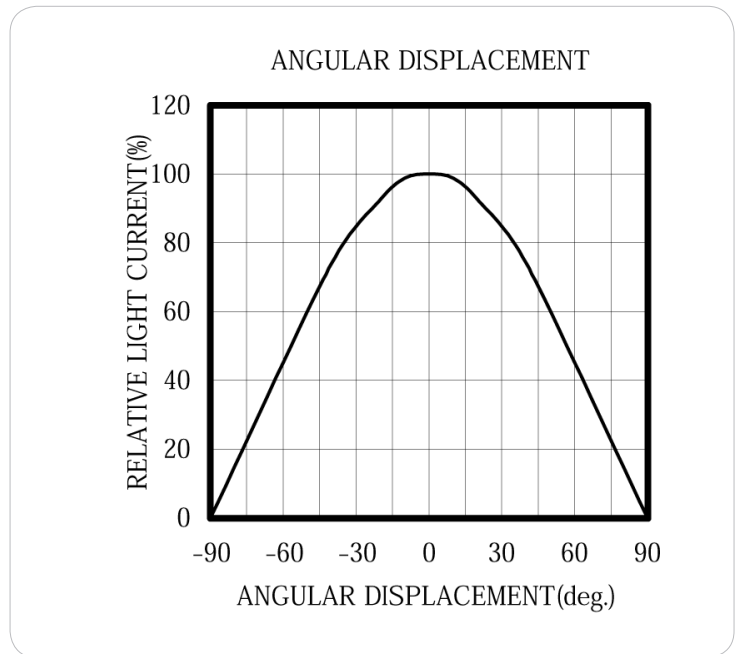
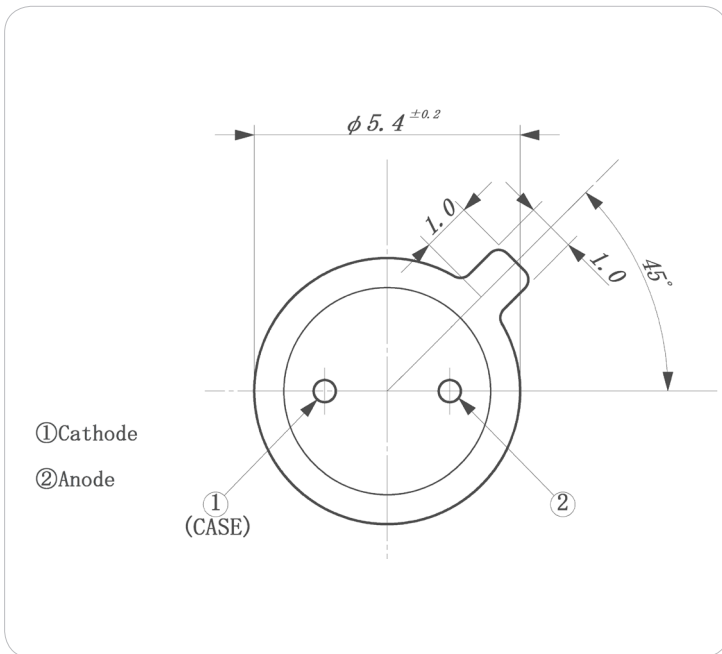
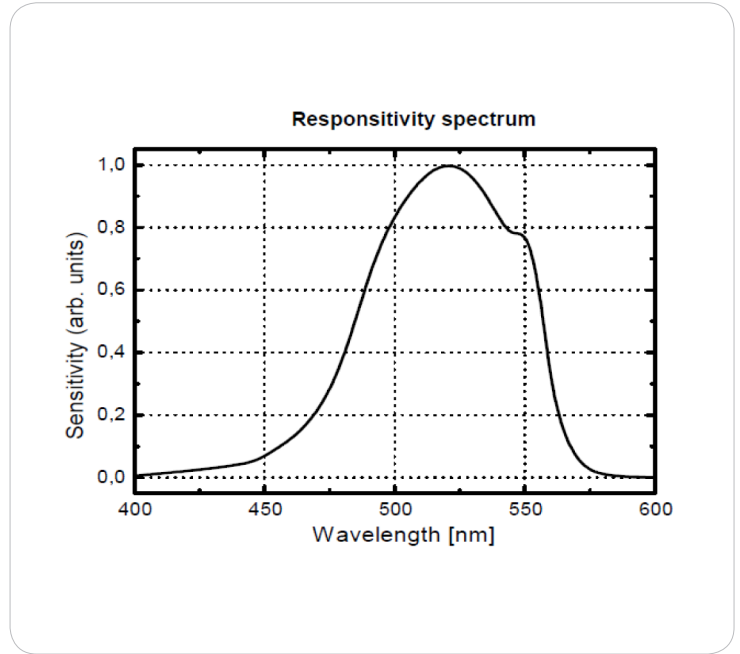
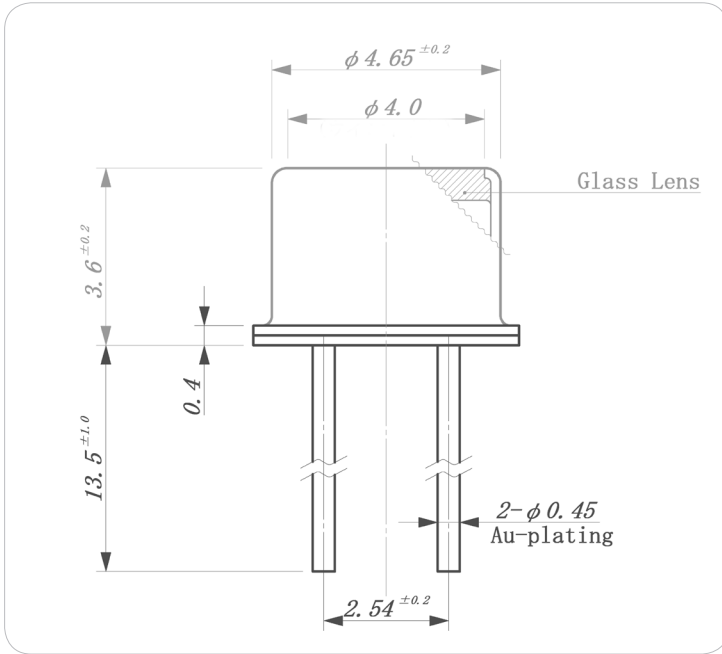
| ITEMS                       | SYMBOL | RATINGS    | UNIT |
|-----------------------------|--------|------------|------|
| Reverse Voltage             | VR     | 5          | V    |
| Operating Temperature Range | ToPr   | -20 ~ +85  | °C   |
| Storage Temperature Range   | Tstg   | -30 ~ +100 | °C   |
| Lead Soldering Temperature  | Tls    | 260        | °C   |

\*1: Time 5 Sec max, Position: Up to 3mm from the body.

## Electrical & Optical Characteristics (Ta = 25°C)

| ITEMS                       | SYMBOL | CONDITIONS    | MIN | TYP      | MAX | UNIT |
|-----------------------------|--------|---------------|-----|----------|-----|------|
| Light Current               | IL     | *1            | 2.5 | 4.0      | --  | μA   |
| Dark Current                | ID     | VR=5V         | --  | 5        | 30  | pA   |
| Spectral Sensitivity        | λ      | --            | --  | 410--580 | --  | nm   |
| Peak Sensitivity Wavelength | λp     | --            | --  | 525      | --  | nm   |
| Responsivity                | S      | *2            | --  | 0.3      | --  | A/W  |
| Angular Response            | θ      | --            | --  | ±55      | --  | deg  |
| Switching Time              | Tr, Tf | Vr=5V, RL=50Ω | --  | 1/60     | --  | ns   |
| Junction Capacitance        | Cj     | VR=5V         | --  | 500-700  | --  | pF   |

\*1: VR=5V, λ=525nm, Ee=1mW/cm<sup>2</sup>, \*2: VR=0V, λ=525nm.



Unit: mm, Tolerance:  $\pm 0.2$

The information contained herein is subject to change without notice.

2021-03-22