

THIS DOCUMENT CONTAINS PROPRIETARY DATA OF POLARIS INDUSTRIAL ENTERPRISES, INC. NO DISCLOSURE, REPRODUCTION, OR USE OF ANY PART THERE OF MAY BE MADE EXCEPT BY WRITTEN PERMISSION.

REV.	BY	DATE	APPRVL.	P/N
B	BT	2-24-99		MW22B-1 WAS ±0.25%

ELECTRICAL SPECIFICATIONS

RESISTANCE RANGE _____ 100 TO 100,000 OHMS
 RESISTANCE TOLERANCE _____ ± 5%
 INDEPENDENT LINEARITY SEE CHART
 POWER RATING SEE CHART
 ELECTRICAL NOISE SEE CHART
 ELECTRICAL ANGLE SEE CHART
 END RESISTANCE SEE CHART
 RESOLUTION 1 OHM OR 1% MAX.
 INSULATION RESISTANCE SEE CHART
 DIELECTRIC STRENGTH 1000 MEGOHMS MIN. @ 500VDC
 1000 VAC MIN.

MECHANICAL

MECHANICAL ANGLE SEE CHART
 STOP STRENGTH 48 OZ./IN.
 STARTING TORQUE 1.4 OZ. IN. MAX.
 ROTATIONAL LIFE 1,000,000 REVOLUTIONS
 WEIGHT 0.8 OZ.

ENVIRONMENTAL

OPERATING TEMPERATURE -55° TO +105°C
 TEMPERATURE COEFFICIENT SEE CHART
 VIBRATION 10HZ TO 2,000HZ 15G
 MOISTURE RESISTANCE 40°C/95%RH 120 HOURS
 SHOCK 50G 11ms

MATERIALS

HOUSING----- HIGH TEMP. THERMO PLASTIC
 TERMINALS----- GOLD PLATED BRASS
 BUSHING----- BRASS
 SHAFT----- STAINLESS STEEL
 RESISTIVE ELEMENT----- WIREWOUND

NON-STANDARDS AVAILABLE

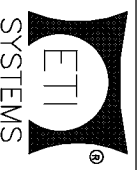
MULTI-GANGED UP TO 6 SECTIONS
 REAR SHAFT EXTENSION
 FRONT SHAFT MODIFICATIONS

RESOLUTION CHART

RESISTANCE (OHMS)	50	100	200	500	1K	2K	5K	10K	20K	50K	100K
MW22B-1 TURN	0.60	0.50	0.40	0.30	0.25	0.20	0.20	0.16			
MW22B-3 TURN	.15	.12	.090	.070	.056	.058	.045	.036	.030	.027	
MW22B-5 TURN	.10	.08	.064	.050	.040	.042	.032	.026	.021	.019	
MW22B-10 TURN	.06	.05	.040	.030	.025	.020	.020	.016	.013	.010	.009
TEMPERATURE COEFFICIENT PPM/°C	80										
	20										

TOLERANCES
 XX = +/- .010" FRACT. = +/- 1/64"
 XXX = +/- .005" ANGLES = +/- 1/2"
 ALL SPECIFICATIONS SUBJECT TO CHANGE WITHOUT NOTICE.

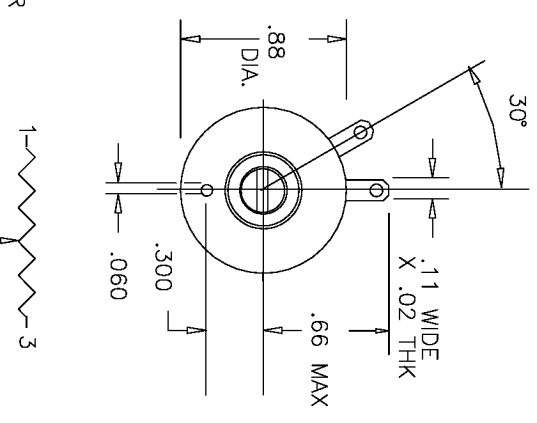
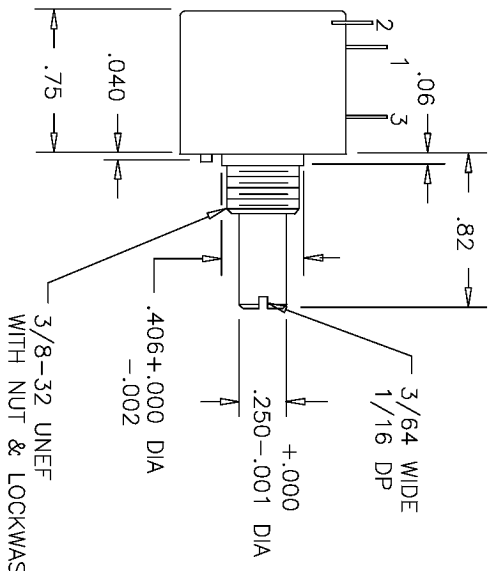
SCALE	DATE: 4-18-85
NONE	BY BT
CODE IDENT: 19477	APPRV/D



ETI SYSTEMS
 CARLSBAD CALIFORNIA

TITLE
 MULTI-TURN
 POTENTIOMETER

PART NO.
 MW22B



MODEL	ELECTRICAL ANGLE	MECHANICAL ANGLE	LINEARITY INDEPENDENT	POWER RATING
MW22B-1	360°±5°	360°+10°/-0°	±0.5%	0.5WATT
MW22B-3	1080°±5°	1080°+10°/-0°	±0.5%	1 WATT
MW22B-5	1800°±5°	1800°+10°/-0°	±0.3%	1 WATT
MW22B-10	3600°±5°	3600°+10°/-0°	±0.25%	2 WATT