

General Description

The MxL582C is a low-power single-chip satellite receiver IC, featuring two XL-band Full-Spectrum Capture[®] (FSC[®]) tuners and eight demodulators that are compliant with DVB-S and DVB-S2.

The MxL582C receives signals from the two independent XL-band differential RF inputs, each from 250 MHz to 2350 MHz with a capture bandwidth of 2.1 GHz, and demodulates eight satellite channels to produce eight independent serial TS outputs. All eight TS outputs support two-wire or three-wire modes.

The MxL582C communicates with satellite LNBs through on-chip DiSEqC and FSK modems.

All major functions are incorporated onto the device, including LNAs, RF splitter, channel filters, AGC, adaptive equalizers, PLLs, crystal load capacitors, and demodulators. The MxL582C enables simple, compact board designs with low-power consumption and reduced BOM costs.

The MxL582C integrates an RF splitter that can be used in conjunction with another MxL582 device to enable a cost-effective implementation of a 16-channel solution. The MxL582C is controlled via an I²C interface, and operates using 1.8V and 1.1V core supplies and an I/O supply of 3.3V. The MxL582C is available in a small 10 mm x 10 mm footprint 72-pin QFN package.

Applications

- STBs
- Residential gateways
- SAT>IP multi-switch
- IP-LNB

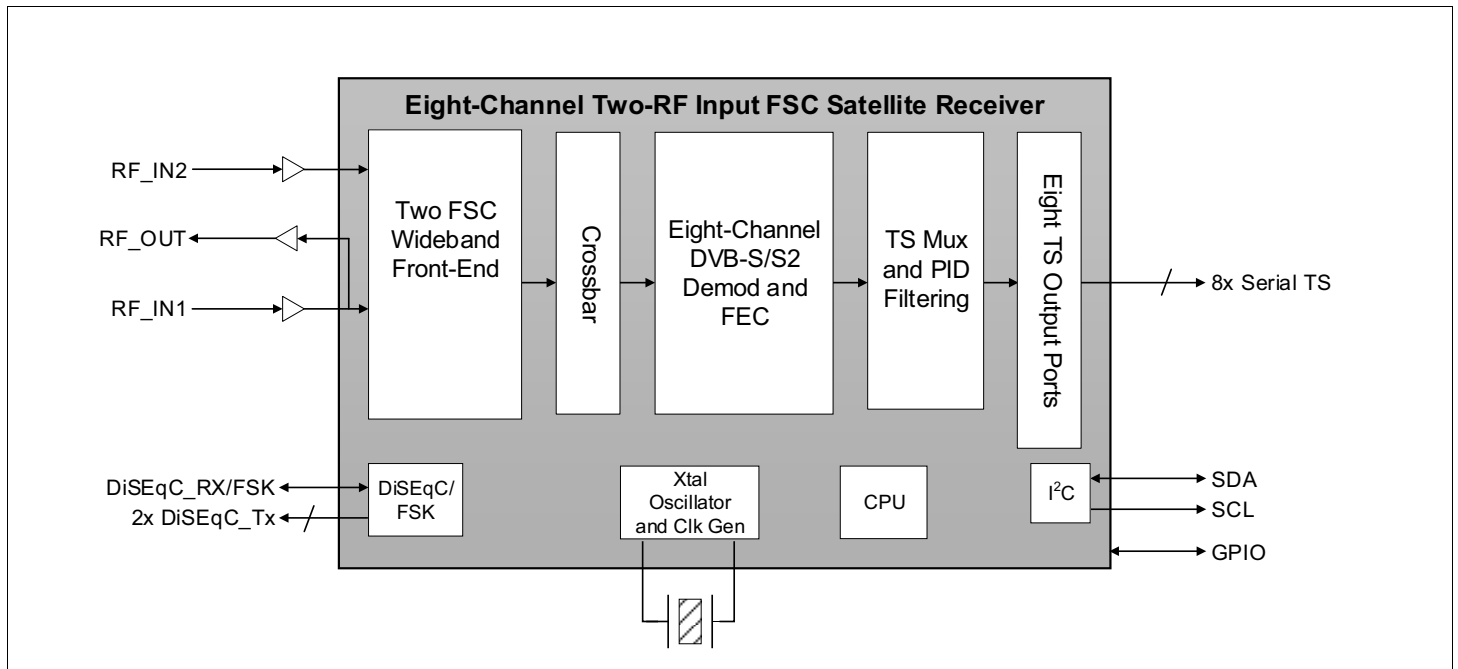
Features

- Ultra low power
- Symbol rates of 1 MSps to 45 MSps in DVB-S and DVB-S2 modes
- Broadcast wake-up
- Single-channel mode
- Integrated LNAs
- Differential RF inputs and RF splitter outputs
- Channel spectrum analysis data available through I²C
- On-chip programmable crystal load capacitors to reduce external components
- Coexistence with WiFi and LTE
- Automatic channel acquisition
- Auto-detection and auto-correction of spectral inversion
- Eight serial TS output ports, configurable in two-wire or three-wire modes and a parallel TS output port
- PID filtering and output TS multiplexing with two, four, or up to eight TS output ports
- Two DiSEqC LNB control interfaces and an FSK modem
- EN50494:2007 and EN50607:2013 standards, and SWM single-cable LNB distribution
- I²C compatible interface

Supported Standards

- DVB-S
- DVB-S2

Block Diagram



Ordering Information

Ordering Part Number	Ordering Part Number	Package	Dimensions	Shipping
MxL582C	MxL582C-AK-T	SAWN QFN72	10 mm x 10 mm x 0.85 mm	Trays
MxL582C	MxL582C-AK-R	SAWN QFN72	10 mm x 10 mm x 0.85 mm	Tape and Reel



MaxLinear, Inc.
 5966 La Place Court, Suite 100
 Carlsbad, CA 92008
 760.692.0711 p.
 760.444.8598 f.
www.maxlinear.com

The content of this document is furnished for informational use only, is subject to change without notice, and should not be construed as a commitment by MaxLinear, Inc. MaxLinear, Inc. assumes no responsibility or liability for any errors or inaccuracies that may appear in the informational content contained in this guide. Complying with all applicable copyright laws is the responsibility of the user. Without limiting the rights under copyright, no part of this document may be reproduced into, stored in, or introduced into a retrieval system, or transmitted in any form or by any means (electronic, mechanical, photocopying, recording, or otherwise), or for any purpose, without the express written permission of MaxLinear, Inc.

MaxLinear, Inc. does not recommend the use of any of its products in life support applications where the failure or malfunction of the product can reasonably be expected to cause failure of the life support system or to significantly affect its safety or effectiveness. Products are not authorized for use in such applications unless MaxLinear, Inc. receives, in writing, assurances to its satisfaction that: (a) the risk of injury or damage has been minimized; (b) the user assumes all such risks; (c) potential liability of MaxLinear, Inc. is adequately protected under the circumstances.

MaxLinear, Inc. may have patents, patent applications, trademarks, copyrights, or other intellectual property rights covering subject matter in this document. Except as expressly provided in any written license agreement from MaxLinear, Inc., the furnishing of this document does not give you any license to these patents, trademarks, copyrights, or other intellectual property.

MaxLinear, the MaxLinear logo, and any MaxLinear trademarks, MxL, Full-Spectrum Capture, FSC, G.now, AirPHY and the MaxLinear logo are all on the products sold, are all trademarks of MaxLinear, Inc. or one of MaxLinear's subsidiaries in the U.S.A. and other countries. All rights reserved. Other company trademarks and product names appearing herein are the property of their respective owners.