

Double-Balanced Mixer

Rev. V3

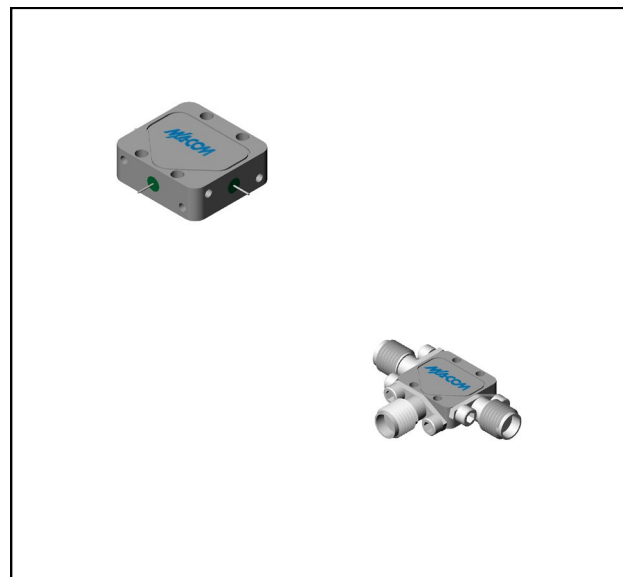
Features

- LO 2.5 TO 7 GHz
- RF 2.5 TO 5.5 GHz
- IF 0 TO 1.5 GHz
- LO DRIVE +10 dBm (nominal)
- MINIATURE PACKAGE
- LOW NOISE FIGURE 6.0 dB (TYP.)
- AVAILABLE WITH FIELD REPLACEABLE CONNECTORS

Description

The MZ6310 is a double balanced mixer, designed for use in military, commercial and test equipment applications. The design utilizes Schottky ring quad diodes and broadband soft dielectric and ferrite baluns to attain excellent performance. This mixer can also be used as a phase detector and/or bi-phase modulator since the IF port is DC coupled to the diodes. The use of high temperature solder and welded assembly processes used internally makes it ideal for use in manual, semi-automated assembly. Environmental screening available to MIL-STD-883, MIL-STD-202, or MIL-DTL-28837, consult factory.

Product Image



Ordering Information

Part Number	Package
MZ6310	Versapac
MZ6310C	SMA Connectorized

Electrical Specifications: $Z_0 = 50\Omega$ $Lo = +10$ dBm (Downconverter application only)

Parameter	Test Conditions	Units	Typical	Guaranteed	
				+25°C	-54° to +85°C
SSB Conversion Loss (max) & SSB Noise Figure (max)	fR = 3 to 5.5 GHz, fL = 2.5 to 7 GHz, fl = 0 to 1.5 GHz fR = 2.5 to 3 GHz, fL = 2.5 to 4.5 GHz, fl = 0 to 1.5 GHz	dB dB	6.0	7.5	8.0
			7.0	9.0	9.5
Isolation, L to R (min)	fL = 2.5 to 4 GHz fL = 4 to 7 GHz	dB dB	28	20	18
			45	30	28
Isolation, L to I (min)	fL = 2.5 to 3.5 GHz fL = 3.5 to 4 GHz fL = 4 to 7 GHz	dB dB dB	18	12	10
			22	18	16
			35	22	20
1 dB Conversion Comp.	fL = +10 dBm	dBm	+3		
Input IP3	fR1 = 4 GHz at -10 dBm, fR2 = 4.01 GHz at -10 dBm, fL = 2.8 GHz at +10 dBm	dBm	+15		

MZ6310 / MZ6310C



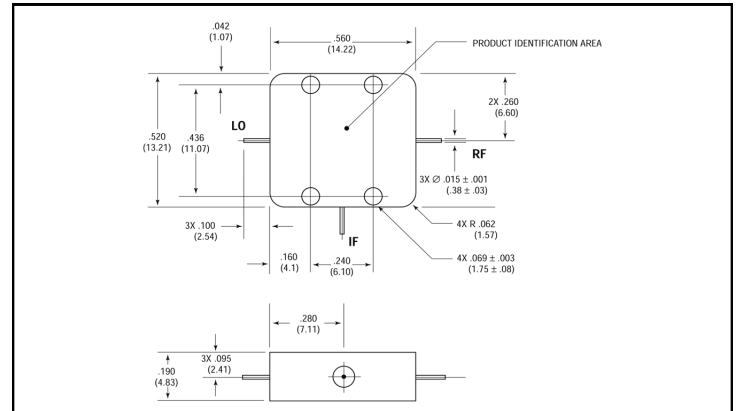
Double-Balanced Mixer

Rev. V3

Absolute Maximum Ratings

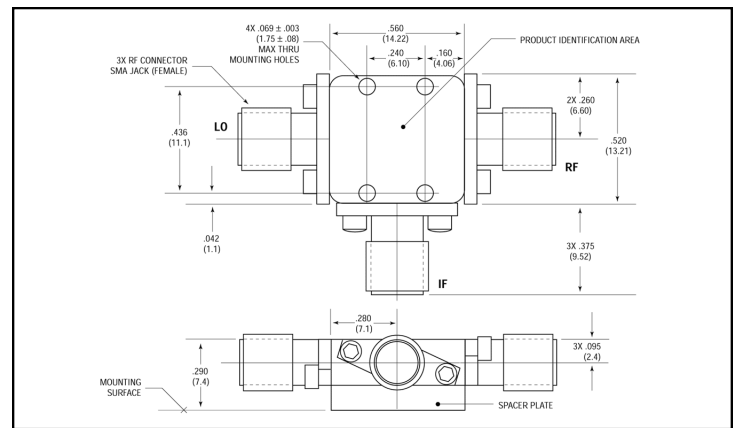
Parameter	Absolute Maximum
Operating Temperature	-54° C to +100°C
Storage Temperature	-65°C to +100°C
Peak Input Power	+23 dBm max @ +25°C +20 dBm max @ +100°C
Peak Input Current	mA DC

Outline Drawing: Versapac *



Weight: 4 grams (0.14 oz.) max

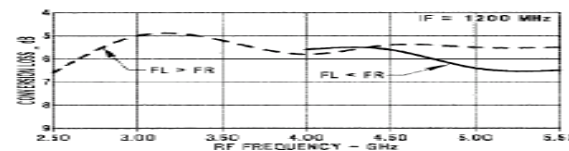
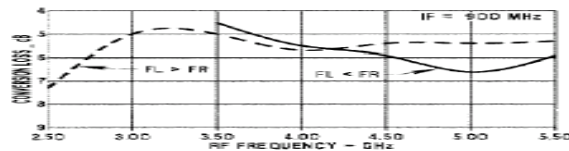
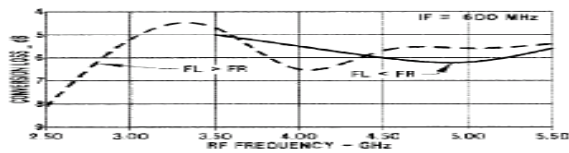
Outline Drawing: SMA Connectorized *



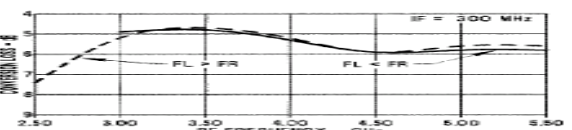
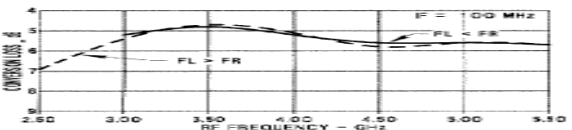
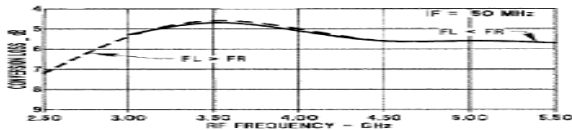
Weight: 13 grams (0.46 oz.) max

* Dimensions are inches (millimeters) ±0.015 (0.38) unless otherwise specified.

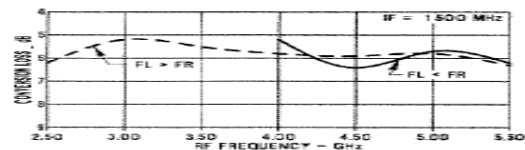
Conversion Loss vs. Frequency



Conversion Loss vs. Frequency



Conversion Loss vs. Frequency



Isolation vs. LO Frequency

