

Double-Balanced Mixer

Rev. V3

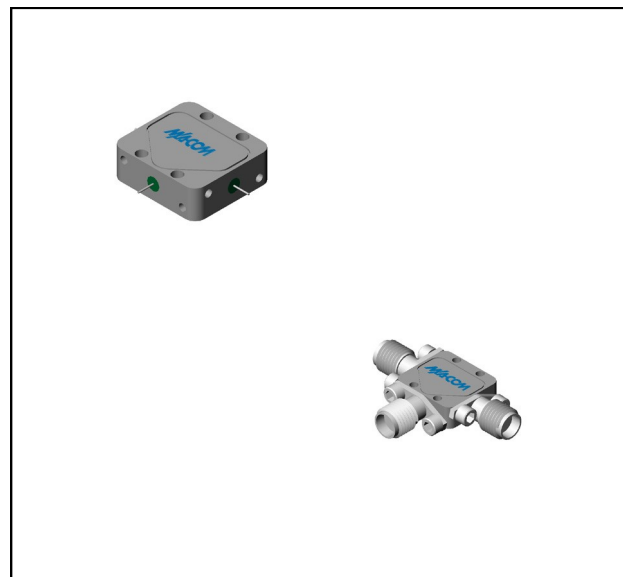
Features

- LO 3.5 TO 18 GHz
- RF 6 TO 18 GHz
- IF DC TO 3 GHz
- LO DRIVE: +7 dBm (NOMINAL)
- MINIATURE PACKAGE
- WIDE BANDWIDTH
- AVAILABLE WITH FIELD REPLACEABLE CONNECTORS

Description

The MZ7407 is a double balanced mixer, designed for use in military, commercial and test equipment applications. The design utilizes Schottky ring quad diodes and broadband soft dielectric and ferrite baluns to attain excellent performance. This mixer can also be used as a phase detector and/or bi-phase modulator since the IF port is DC coupled to the diodes. The use of high temperature solder and welded assembly processes used internally makes it ideal for use in manual, semi-automated assembly. Environmental screening available to MIL-STD-883, MIL-STD-202, or MIL-DTL-28837, consult factory.

Product Image



Ordering Information

Part Number	Package
MZ7407	Versapac
MZ7407C	SMA Connectorized

Electrical Specifications: $Z_0 = 50\Omega$ $Lo = +7$ dBm (Downconverter application only)

Parameter	Test Conditions	Units	Typical	Guaranteed	
				+25°C	-54° to +85°C
SSB Conversion Loss (max) & SSB Noise Figure (max)	fR = 7 to 15 GHz, fL = 6 to 13.5 GHz, fI = 3 to 10 GHz fR = 6 to 18 GHz, fL = 4 to 18 GHz, fI = 0.03 to 3 GHz	dB dB	6.0	8.0	8.5
			7.0	9.0	9.5
Isolation, L to R (min)	fL = 4 to 14 GHz fL = 14 to 18 GHz	dB dB	36	23	21
			32	18	16
Isolation, L to I (min)	fL = 4 to 14 GHz fL = 8 to 18 GHz	dB dB	25	16	14
			35	23	21
1 dB Conversion Comp.	fL = +7 dBm	dBm	+3		
Input IP3	fR1 = 13 GHz at -10 dBm, fR2 = 13.01 GHz at -10 dBm, fL = 14 GHz at +10 dBm	dBm	+10		

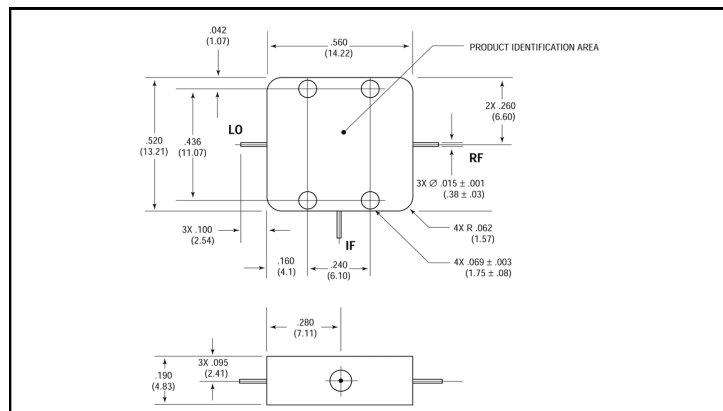
Double-Balanced Mixer

Rev. V3

Absolute Maximum Ratings

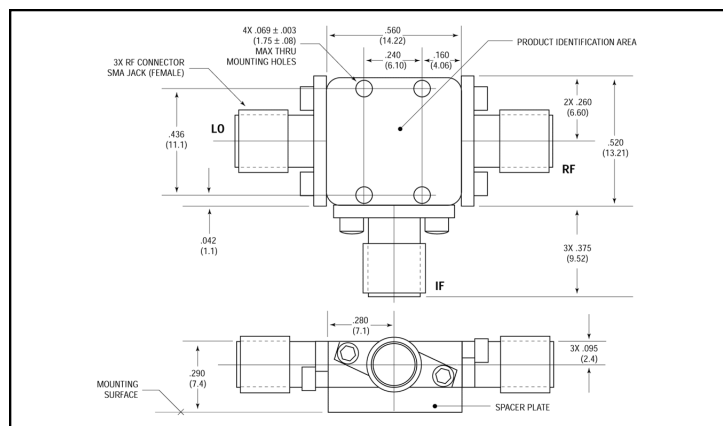
Parameter	Absolute Maximum
Operating Temperature	-54° C to +100°C
Storage Temperature	-65°C to +100°C
Peak Input Power	+23 dBm max @ +25°C
Peak Input Current	100 mA DC

Outline Drawing: Versapac *



Weight: 4 grams (0.14 oz.) max

Outline Drawing: SMA Connectorized *



Weight: 13 grams (0.46 oz.) max

* Dimensions are inches (millimeters) ±0.015 (0.38) unless otherwise specified.