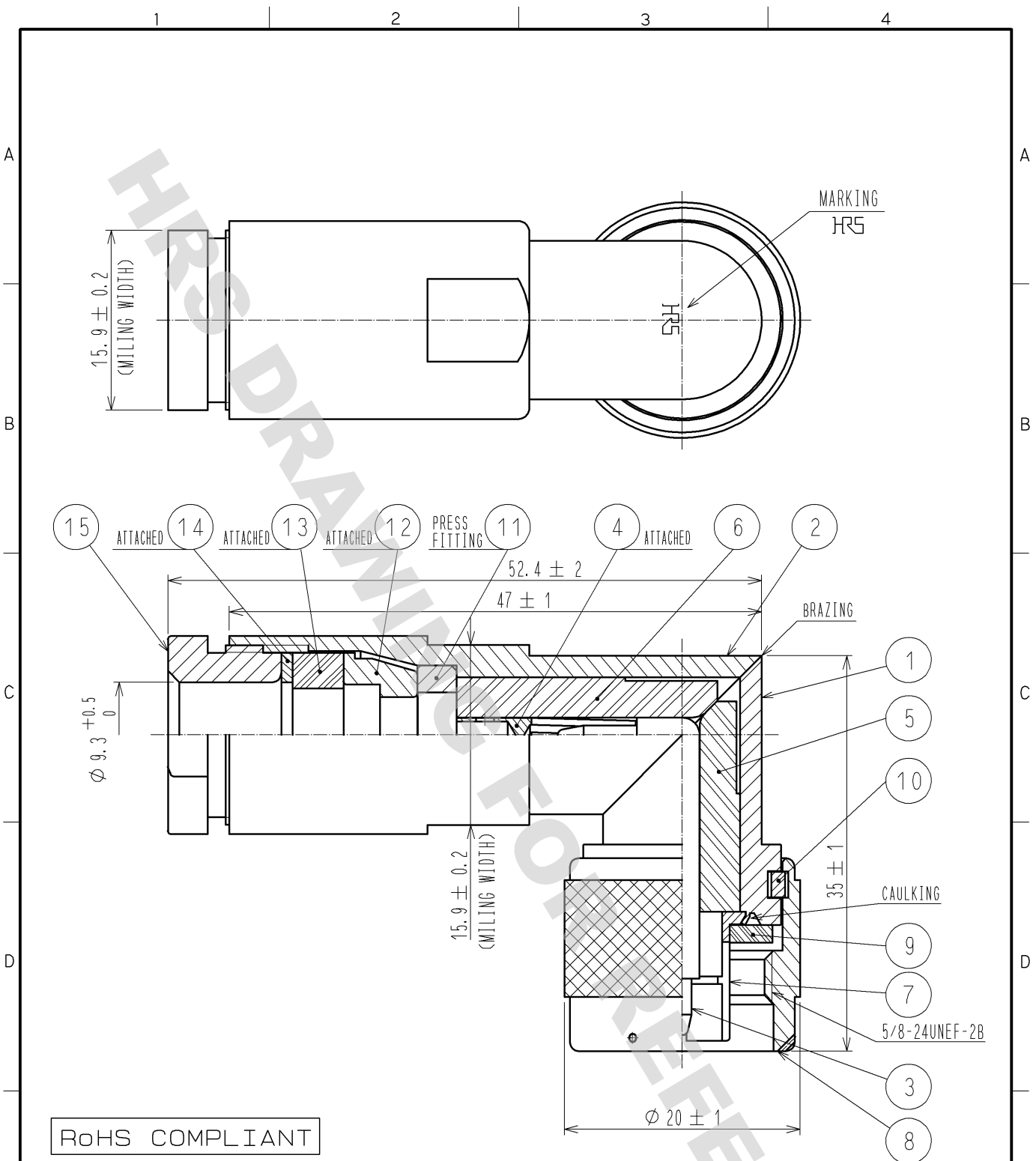


DRAWING FOR REFERENCE: This is subject to change without notice
08/11/2012



RoHS COMPLIANT

8	BRASS	NICKEL PLATING					
7	PHOSPHOR BRONZE	NICKEL PLATING	15	BRASS	NICKEL PLATING		
6	PTFE		14	BRASS	NICKEL PLATING		
5	PTFE		13	SILICONE RUBBER			
4	BERYLLIUM COPPER	SILVER PLATING	12	BRASS	NICKEL PLATING		
3	BRASS	SILVER PLATING	11	BRASS	NICKEL PLATING		
2	BRASS	NICKEL PLATING	10	PHOSPHOR BRONZE	NICKEL PLATING		
1	BRASS	NICKEL PLATING	9	SILICONE RUBBER			
NO.	MATERIAL	FINISH	REMARKS	NO.	MATERIAL	FINISH	REMARKS

UNITS mm		SCALE 2 : 1	COUNT 	DESCRIPTION OF REVISIONS	DESIGNED	CHECKED	DATE
HIROSE ELECTRIC CO., LTD.		APPROVED : MH. YAMANE	11. 10. 31	DRAWING NO.	EDC4-000495-40		
		CHECKED : NK. NINOMIYA	11. 10. 31	PART NO.	N-LP-5DW(40)		
		DESIGNED : YI. FUNADA	11. 10. 26	CODE NO.	CL301-0007-0-40		
		DRAWN : YI. FUNADA	11. 10. 26		1/1		