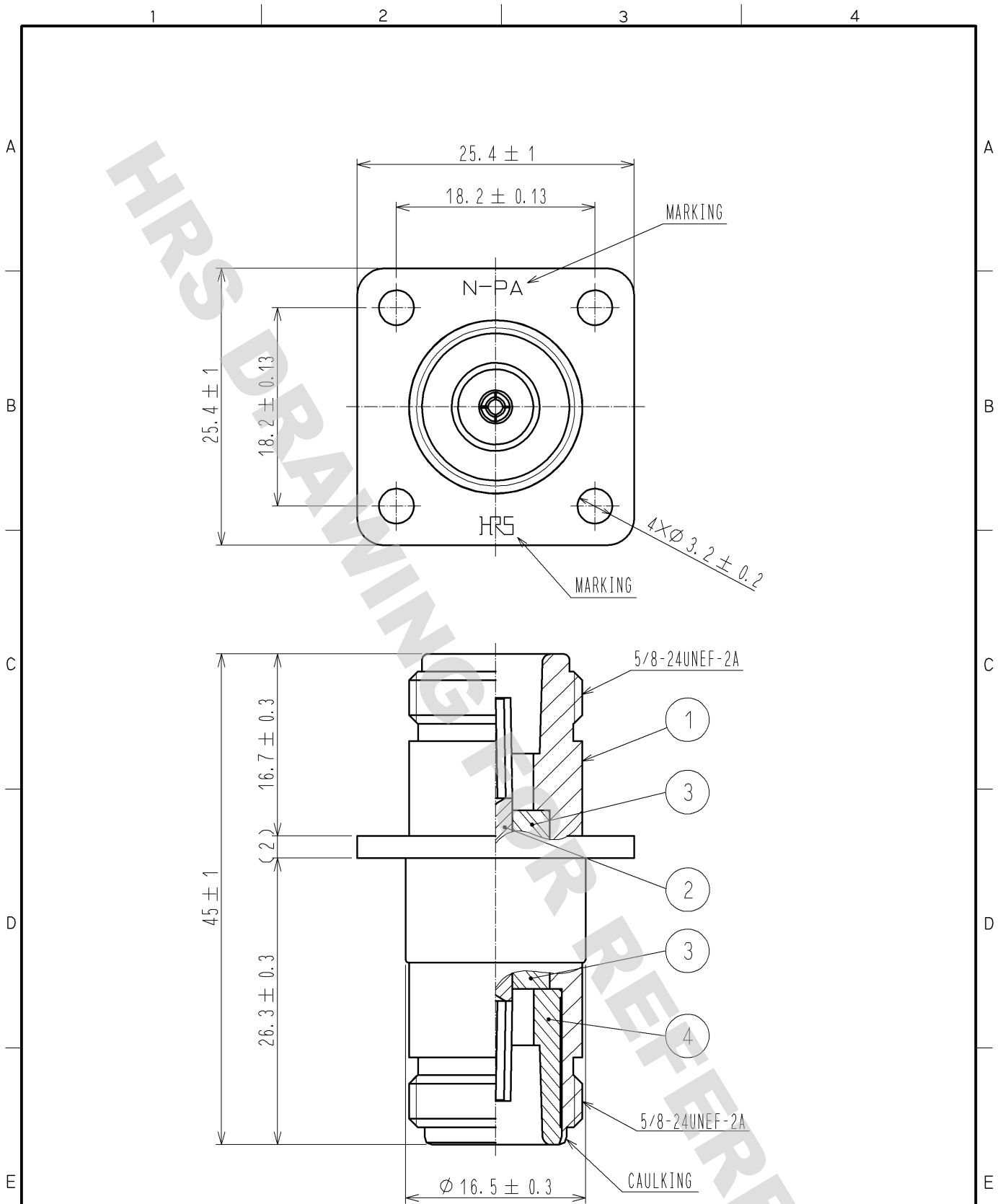


DRAWING FOR REFERENCE: This is subject to change without notice  
08/11/2012



RoHS COMPLIANT

2	BERYLLIUM COPPER	SILVER PLATING	4	BRASS	SILVER PLATING		
1	BRASS	SILVER PLATING	3	PTFE			
NO.	MATERIAL	FINISH . REMARKS	NO.	MATERIAL	FINISH . REMARKS		
UNITS mm		SCALE 2 : 1		DESCRIPTION OF REVISIONS	DESIGNED	CHECKED	DATE
HIROSE ELECTRIC CO., LTD.		APPROVED : MH. YAMANE	11. 10. 31	DRAWING NO. EDC4-000071-40			
		CHECKED : NK. NINOMIYA	11. 10. 31	PART NO. N-PA(40)			
		DESIGNED : YI. FUNADA	11. 10. 26	CODE NO. CL301-0036-9-40			
		DRAWN : YI. FUNADA	11. 10. 26	1/1			