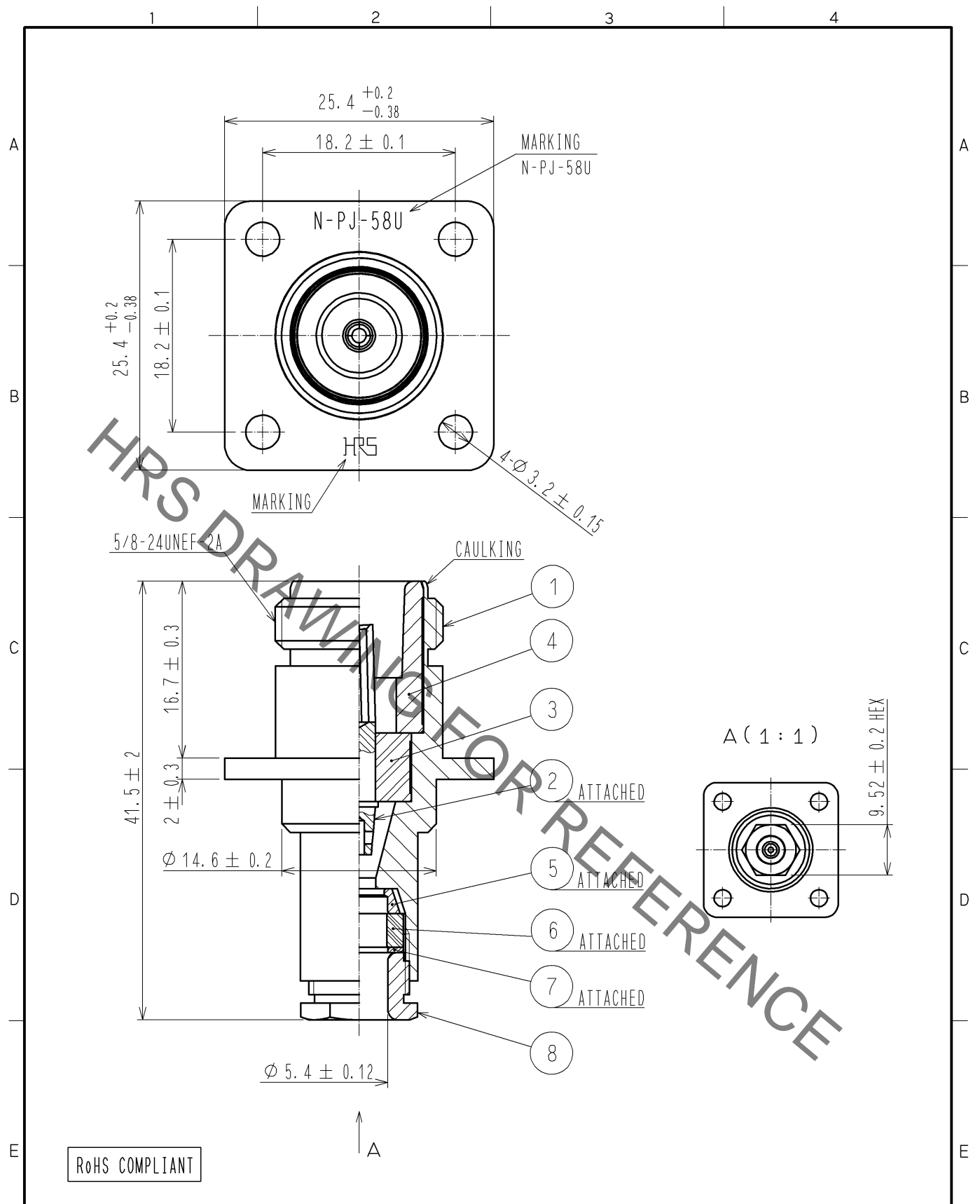


Jun.1.2021 Copyright 2021 HIROSE ELECTRIC CO., LTD. All Rights Reserved.
 In case of consideration for using Automotive equipment / device which demand high reliability, kindly contact our sales window correspondents.



4	BRASS	SILVER PLATING	8	BRASS	SILVER PLATING
3	PTFE		7	BRASS	SILVER PLATING
2	BERYLLIUM COPPER	SILVER PLATING	6	SILICONE RUBBER	
1	BRASS	SILVER PLATING	5	BRASS	SILVER PLATING
NO.	MATERIAL	FINISH . REMARKS	NO.	MATERIAL	FINISH . REMARKS

UNITS mm		SCALE 2 : 1	COUNT 	DESCRIPTION OF REVISIONS	DESIGNED	CHECKED	DATE
HIROSE ELECTRIC CO., LTD.				APPROVED : MH. YAMANE 09. 03. 16 CHECKED : TO. KATAYAMA 09. 03. 16 DESIGNED : TS. NISHIYAMA 09. 03. 16 DRAWN : TS. NISHIYAMA 09. 03. 16	DRAWING NO. EDC4-000254-40 PART NO. N-PJ-58/U(40) CODE NO. CL301-0011-8-40		