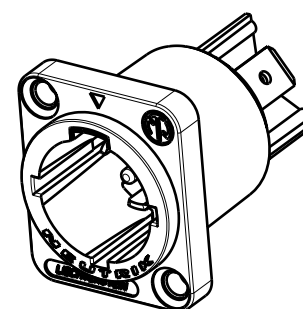
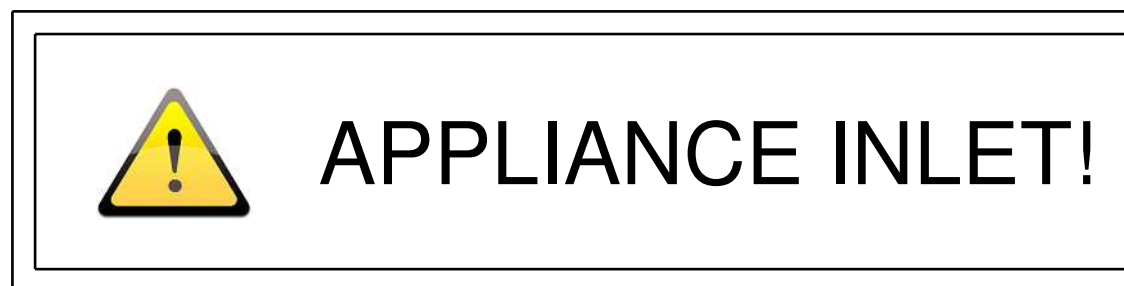
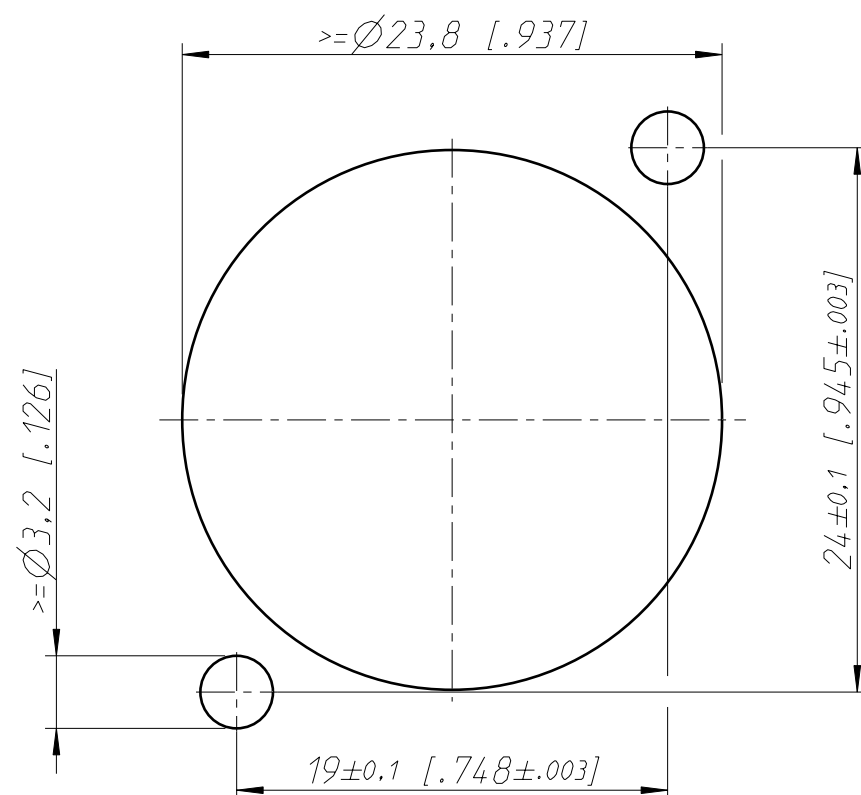


Frontplattenausschnitt Rückseite
panel cutout rearside



M1:1

General tolerances ISO 2768-m		Scale		Date		Name	
Refer to protection notice ISO 16016.		3:1 (A3)		03.05.18		Ender	
Name		powerCON TRUE1 TOP		Modified		-	
		NAC3MPX-TOP		Change-No.		Sheet-No.	
				-		1 / 1	
				Replacement for:			
		NEUTRIK		Drawing-No.		ST-NAC3MPX-TOP	