



PART NAME

NON-METALLIC ENCLOSURE (STYLE B)

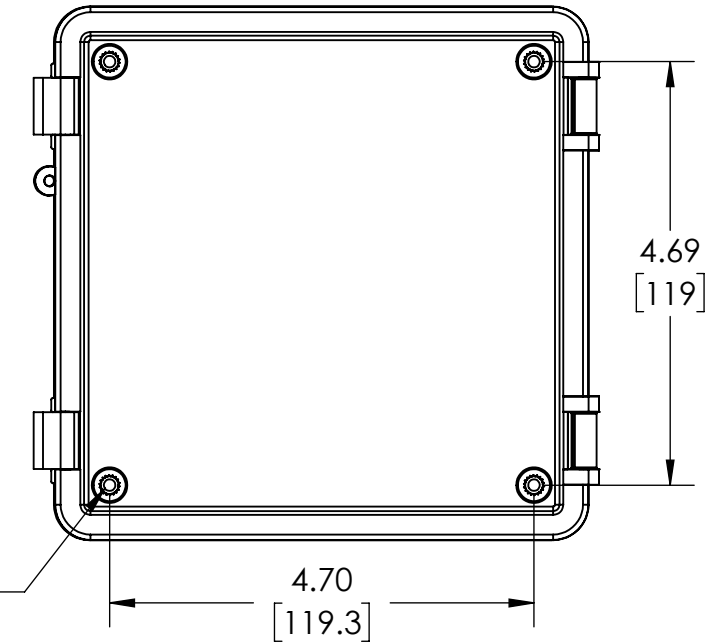
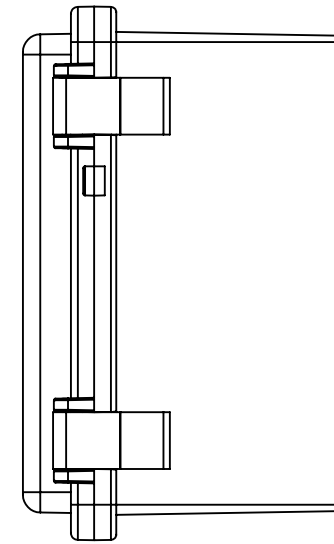
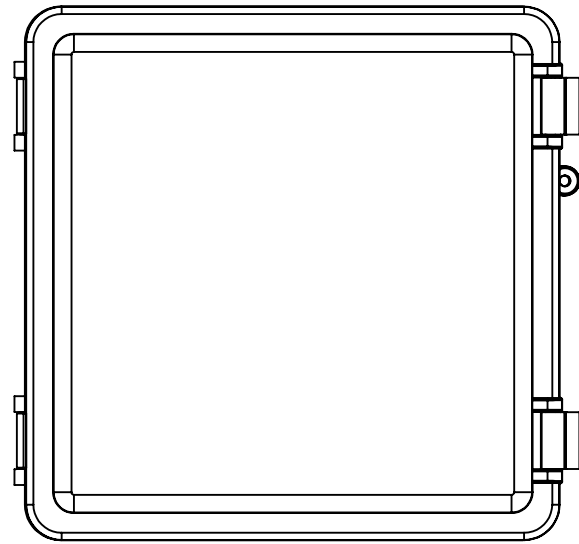
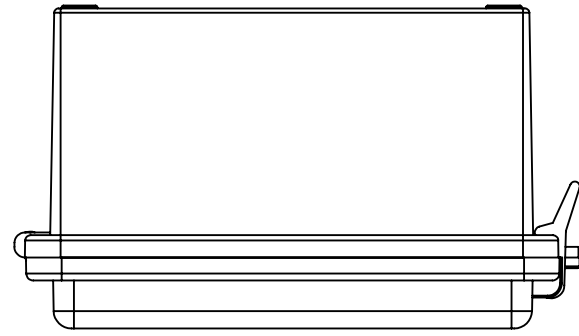
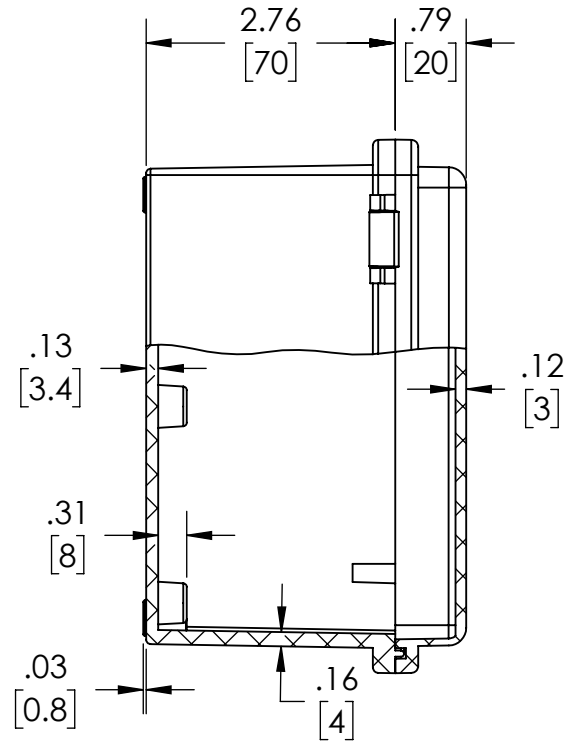
PART No.

NBB-10240

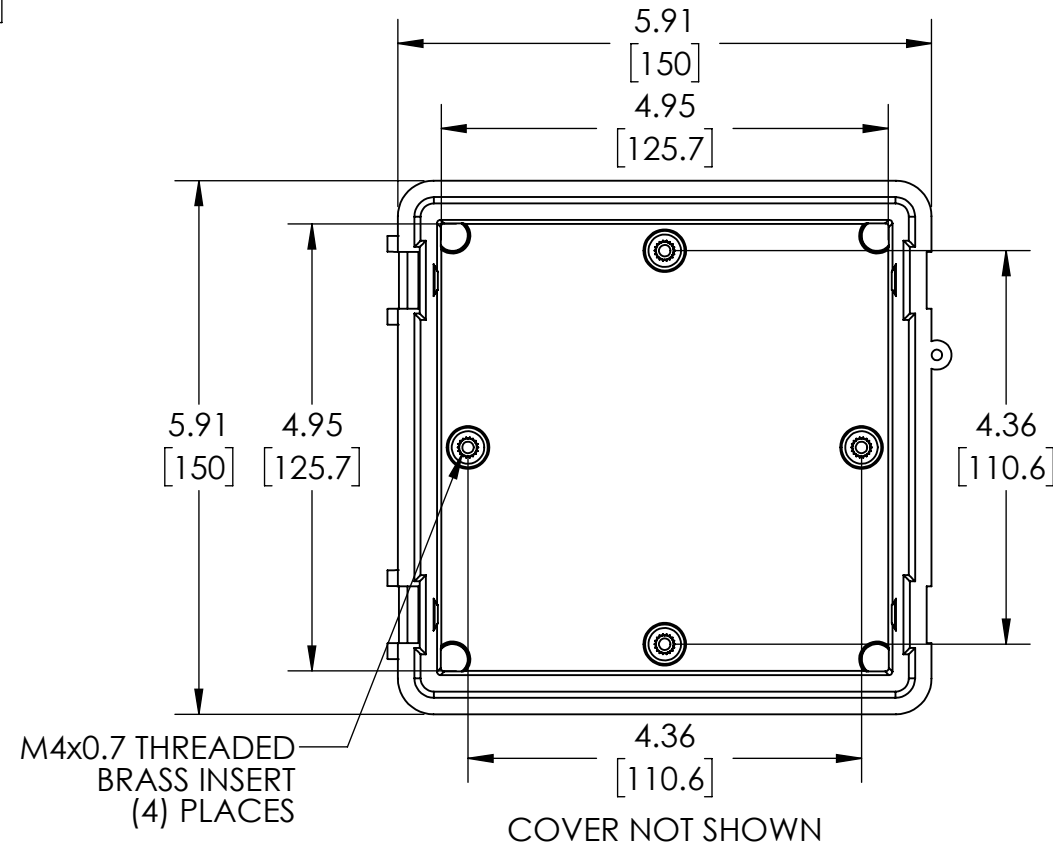
REVISION DATE

10-26-17

**DRAWING FOR REFERENCE**  
WE RESERVE THE RIGHT TO MAKE CHANGES TO OUR STANDARD PRODUCTS. PLEASE CONSULT WITH BUD INDUSTRIES PRIOR TO USING THIS DRAWING FOR DESIGN PURPOSE.



M4x0.7 THREADED BRASS INSERT (4) PLACES



**NOTES:**

- 1- MATERIAL: BODY & COVER - LIGHT GRAY ABS/PC BLENDED PLASTIC UL94-5VA FLAMMABILITY RATING
- WALL MOUNTING BRACKETS - STAINLESS STEEL
- 2- GRAY POLYURETHANE GASKET IN COVER
- 3- SUPPLIED WITH FOUR WALL MOUNTING BRACKETS AND (4) M4x0.7 x 8mm LG. TRUSS HEAD STAINLESS STEEL MACHINE SCREWS (ITEMS NOT SHOWN)
- 4- DIMENSIONS ARE INCH [MM]
- 5- DIMENSION TOLERANCE  $\pm .04[\pm 1]$