

## ● PRODUCT INFORMATION ..... [Selection guide](#)



### High-attenuation type(2-Stage filter)(Single Phase)

Difference from old single phase 250V noise filters:

(1) Can select leakage current

(2) Push-down style terminal block prevents screw drop-out and cover loss

Can be used for many purposes.

❖ [Product Lineup](#)

| NBC |

❖ CATALOG DATA DOWN LOAD

❖ [Technical Data](#)

❖ [Specifications, circuit diagram and derating curve External view](#)

❖ [Characteristic data](#) • [Instruction manual](#) • [About noise filters](#)

**NBC Series : High-attenuation type of common mode noise from 150KHz to 1MHz(2-Stage filter)(single phase)**

#### • Features

- High attenuation type of common mode noise from 150kHz to 1MHz
- Single Phase 250 VAC
- Selectable leakage current
- Quick and easy push-down terminal  
Just connect the wires, push down and tighten the screws with a screwdriver
- DIN rail installation type(Optional)

#### • Safety agency approvals

- UL1283
- CSA C22.2 No.8 (C-UL)
- DIN EN60939 VDE0565 Teil 3-1
- ENEC

#### • Environment

- RoHS directive

#### • 5-year warranty

# NBC series

NBC -10 -472 -□

① ② ③ ④

- ① Model Name
- ② Rated Current
- ③ Line to ground capacitor code: See table 1.1.

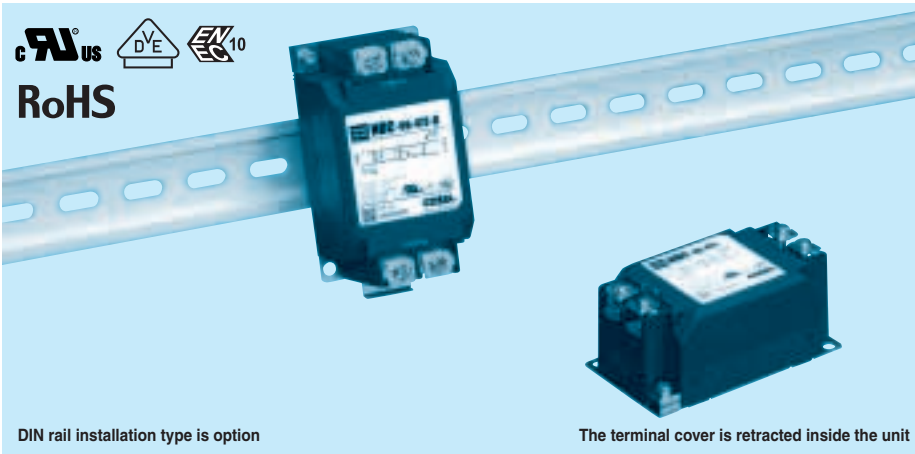
table 1.1 Line to ground capacitor code

Code	Leakage Current (Input 125/250V 60Hz)	Line to ground capacitor (nominal value)
681	75.5 μA/ 150 μA max	680pF
102	0.13mA/ 0.25mA max	1000pF
222	0.25mA/ 0.5 mA max	2200pF
332	0.38mA/ 0.75mA max	3300pF
472	0.5 mA/ 1.0 mA max	4700pF

\* When the line to ground capacitor code is different, the attenuation characteristic is different.

- ④ Options
- D: DIN rail installation type

\* The dimensions change when the option is set. Refer to External view.



DIN rail installation type is option

The terminal cover is retracted inside the unit

## Features of NBC series

### High-attenuation type of common mode noise from 150kHz to 1MHz (2-stage filter)

· Single Phase 250 VAC

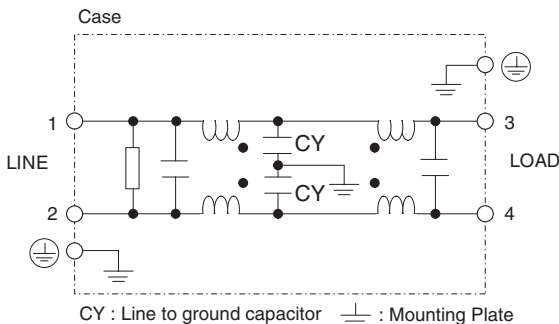
· Quick and easy push-down terminal

Just connect the wires, push down and tighten the screws with a screwdriver

## Specifications

No.	Items	NBC-06-472	NBC-10-472	NBC-16-472	NBC-20-472	NBC-30-472
1	Rated Voltage[V]	AC 1 φ 250 / DC250				
2	Rated Current[A]	6	10	16	20	30
3	Test Voltage (Terminal-Mounting Plate)	2,500 VAC (Cutoff Current = 20mA), 1minute at room temperature and humidity				
4	Isolation Resistance (Terminal-Mounting Plate)	500 VDC 100MΩ min at room temperature and humidity				
5	Leakage current 125/250V 60Hz	0.5mA/1.0mA max				
6	Voltage drop	1.0V max				
7	Safety agency approval temperatures	-25 to +85°C (Refer to Derating Curve)				
8	Operating temperature	-40 to +85°C (Refer to Derating Curve)				
9	Operating humidity	20 to 95%RH (Non condensing)				
10	Storage temperature/humidity	-40 to +85°C/20 to 95%RH (Non condensing)				
11	Vibration	10 to 55Hz, 19.6m/s <sup>2</sup> (2G), 3min. Period, 1hour each X, Y and Z axis				
12	Impact	196.1m/s <sup>2</sup> (20G), 11ms Once each X, Y and Z axis				
13	Safety agency approvals	UL1283, CSA C22.2 No.8 (C-UL), DIN EN60939 VDE0565 Teil3-1, ENEC (At only AC input)				
14	Case size (without projection) /Mass	53 × 41 × 92 mm (W × H × D) /270g max (Option : -D refer to external view)				

## Circuit Diagram



## Derating Curve

