



PART NAME

NBF SERIES PLASTIC NEMA BOX (STYLE A) (OUTDOOR)

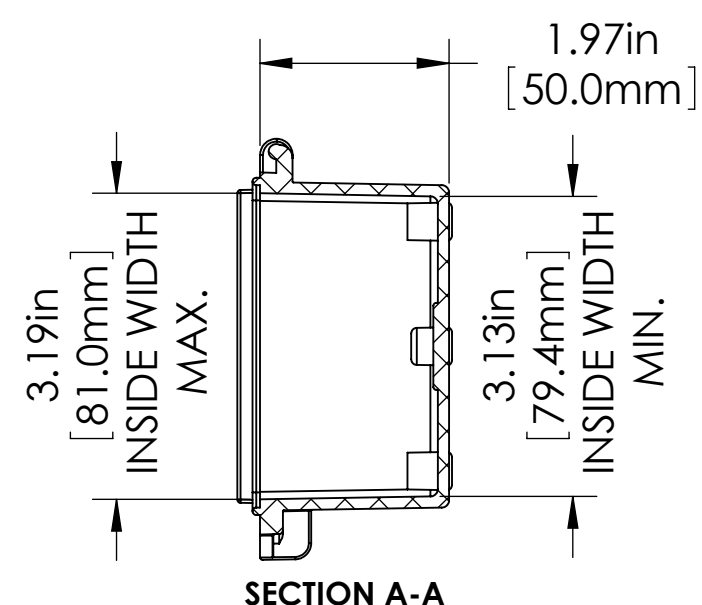
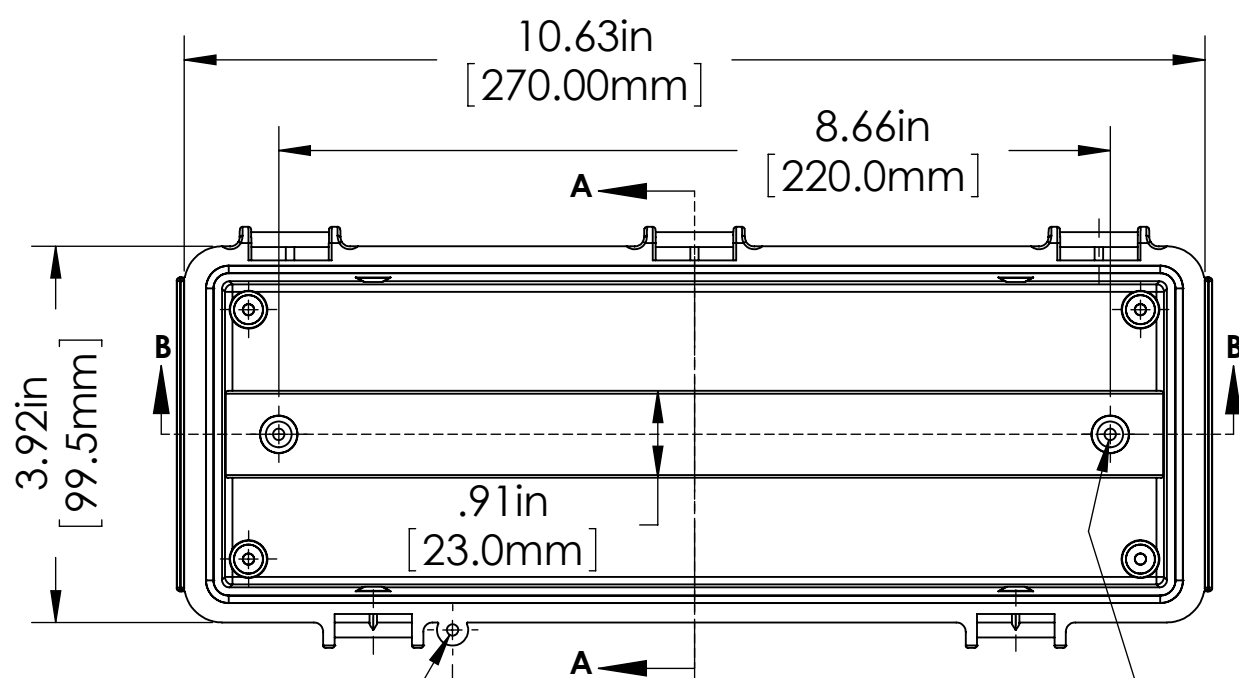
PART No.

NBF-32308

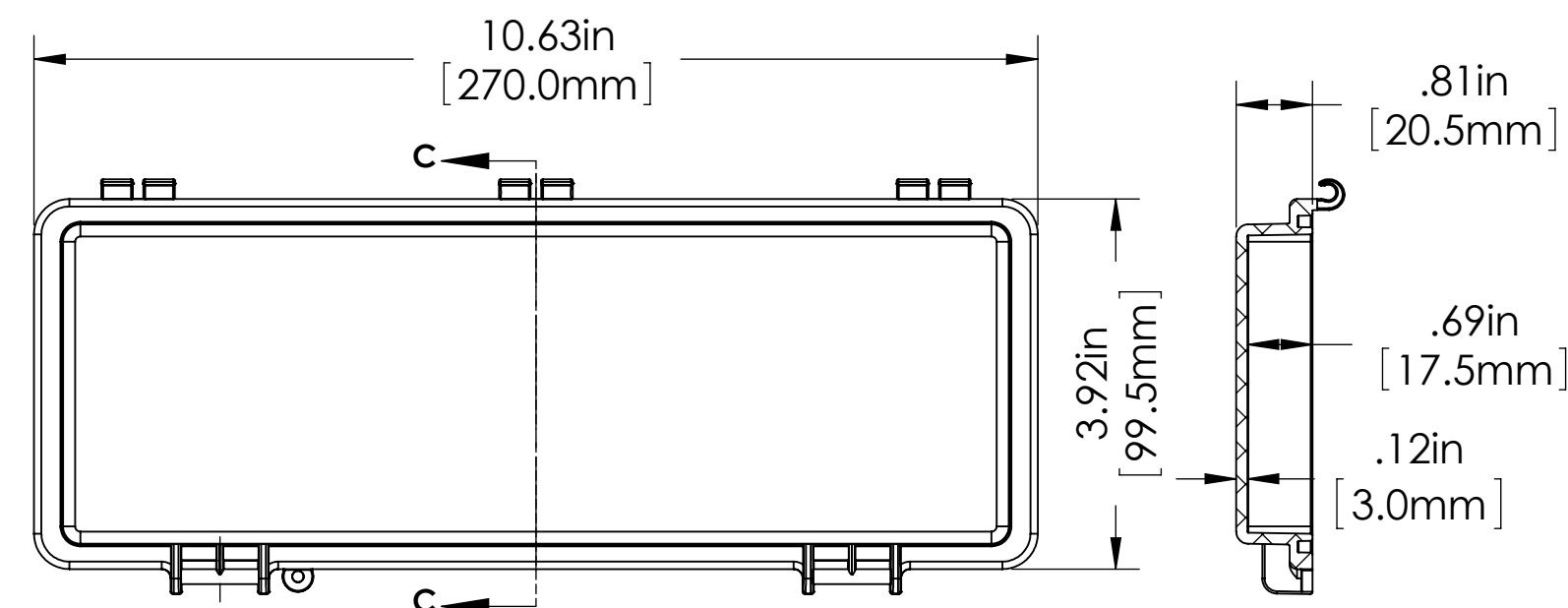
REVISION DATE

7-17-15

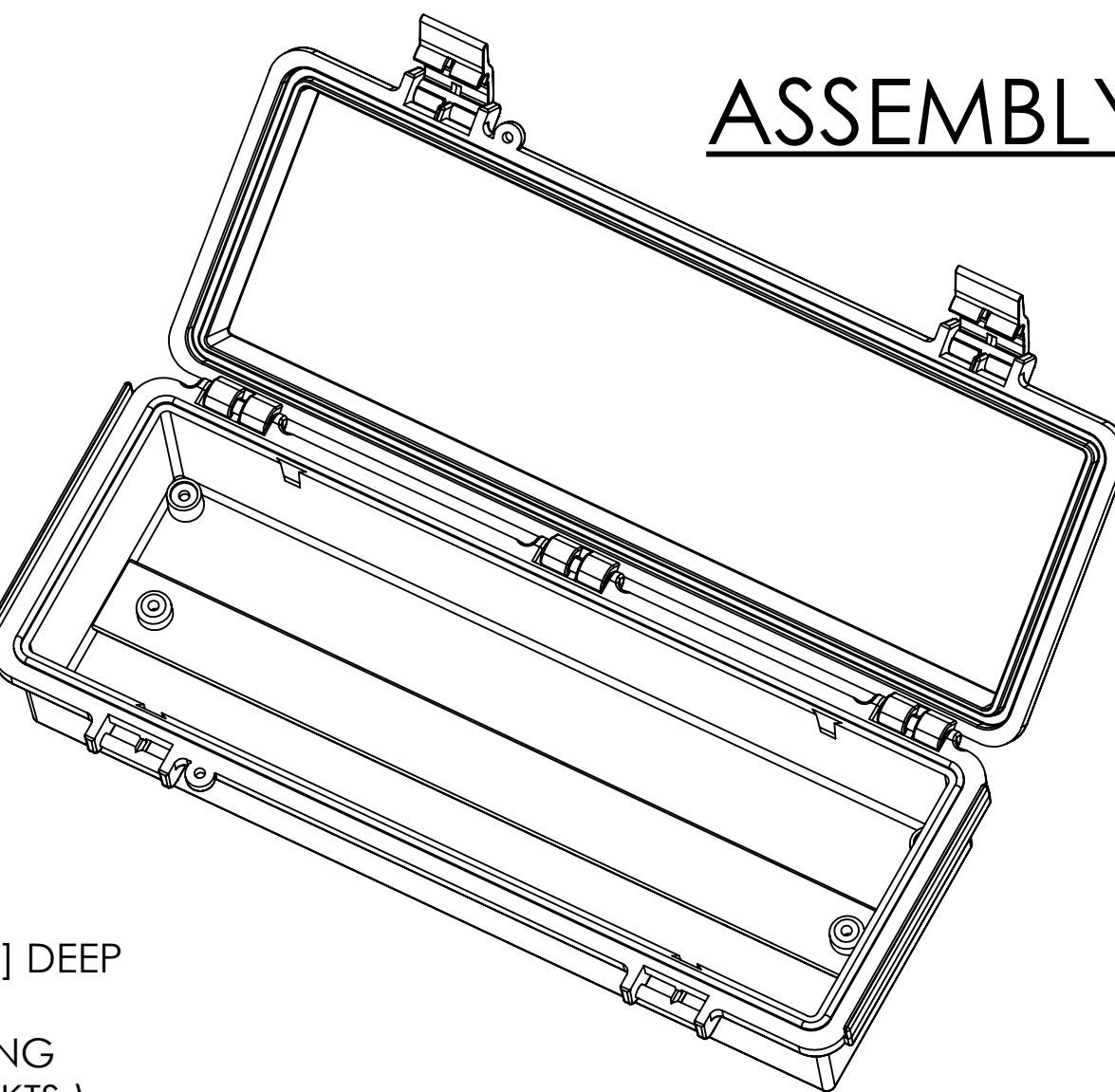
BODY



COVER

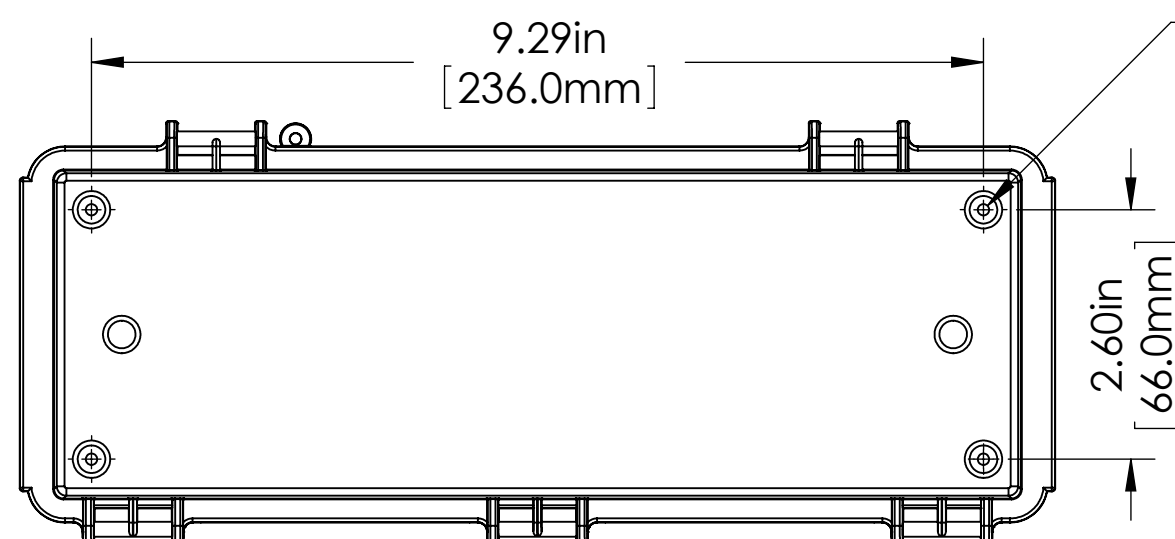
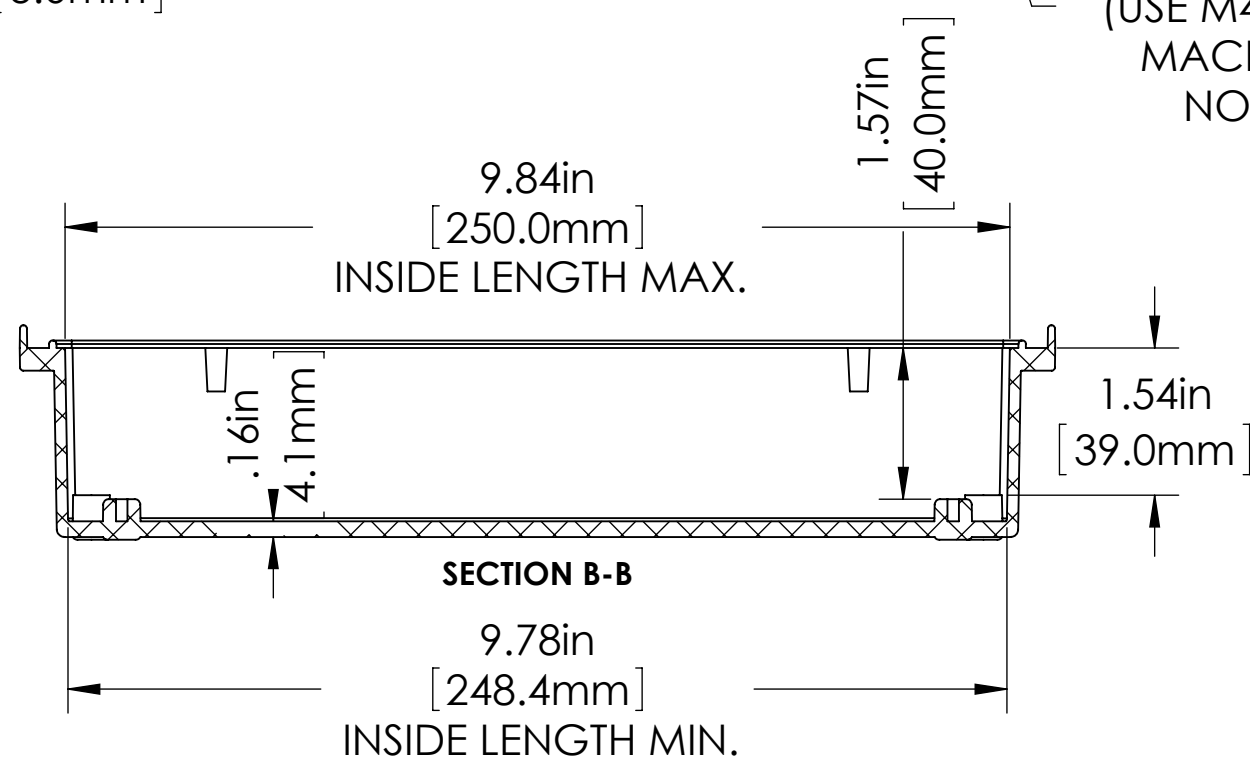


SECTION C-C

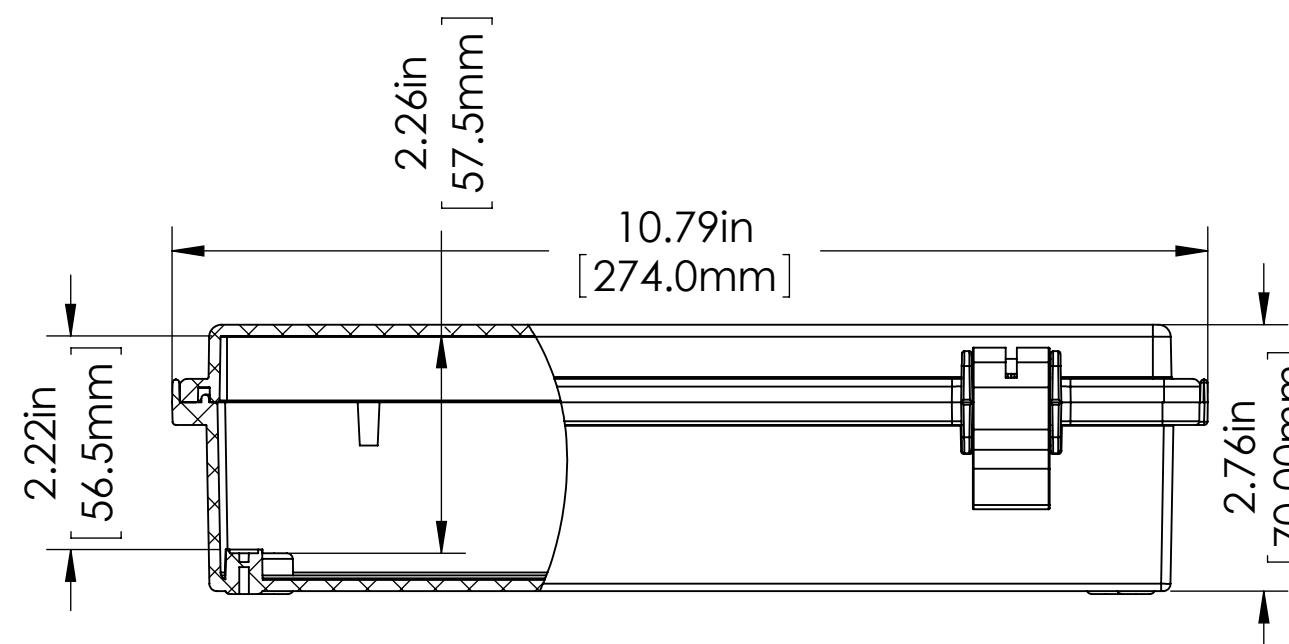


ASSEMBLY

M4x0.7 THREADED INSERTS
2 PLACES ONLY
(USE M4x0.7 x 8mm LG.
MACHINE SCREWS-
NOT SUPPLIED)



Ø.12[3.0] x .28[7.1] DEEP
4 PLACES
(FOR ATTACHING
WALL MOUNT BRKTS.)



MATERIAL:

BODY, COVER, & LATCHES _____ LIGHT GRAY
PBT/PC BLEND, UL94-5VA+UV(f1) FLAMMABILITY
RATING AT CONTINUOUS OPERATING TEMPERATURE
OF -40°C ~ +75°C / -40°F ~ 167°F

WALL MOUNTING BRACKETS _____ 16 GA. [1.5mm]
STAINLESS STEEL

SCREWS (FOR WALL MTG. BRKTS.) _____ STAINLESS STEEL

NOTES:

1) UNIT COMES COMPLETE WITH (4) SMALL WALL MOUNTING BRACKETS & (4) M4x0.7 x 8mm LG. SELF-TAPPING SCREWS. (NOT SHOWN)

2) BOXES DESIGNED TO MEET FOLLOWING STANDARDS:
NEMA 1,2,4,4X AND IEC529-IP66 REQUIREMENTS.

TOLERANCES:

ALL DIMENSIONS HAVE
±.039in. [±1mm] TOLERANCE
UNLESS OTHERWISE SPECIFIED.