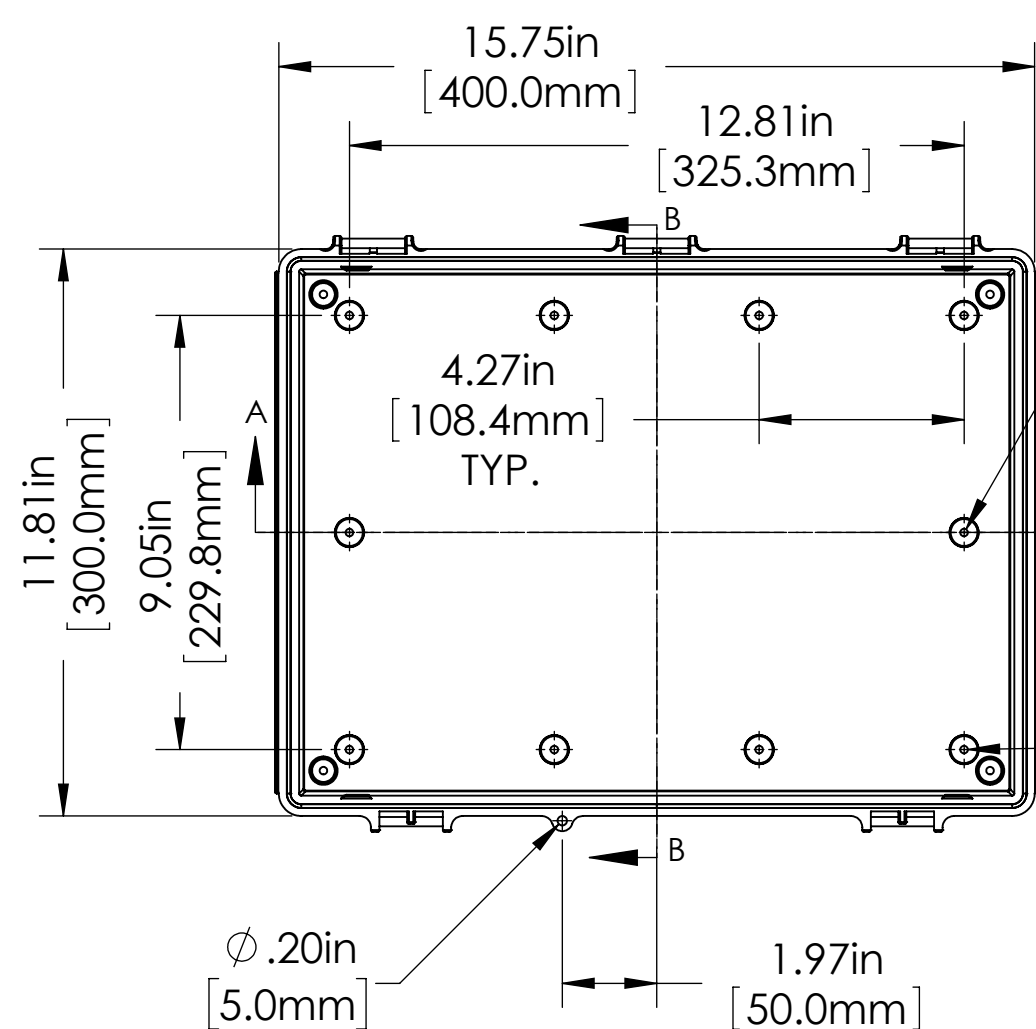
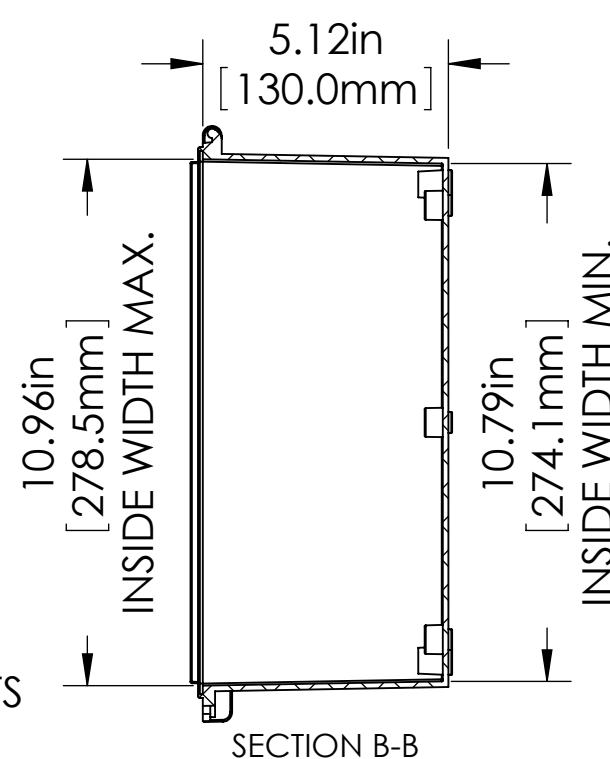


BODY

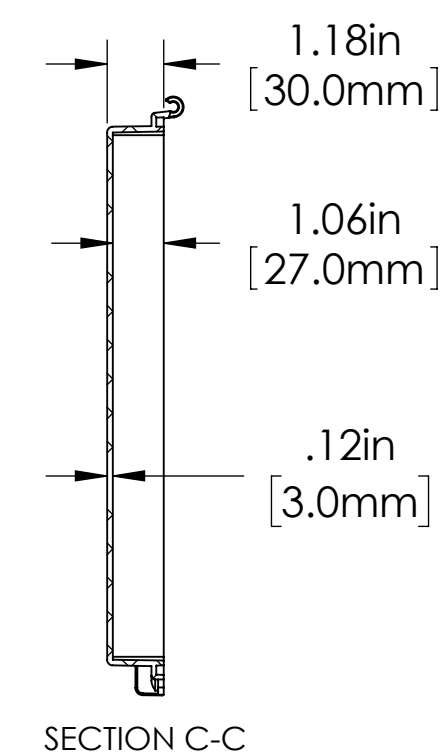
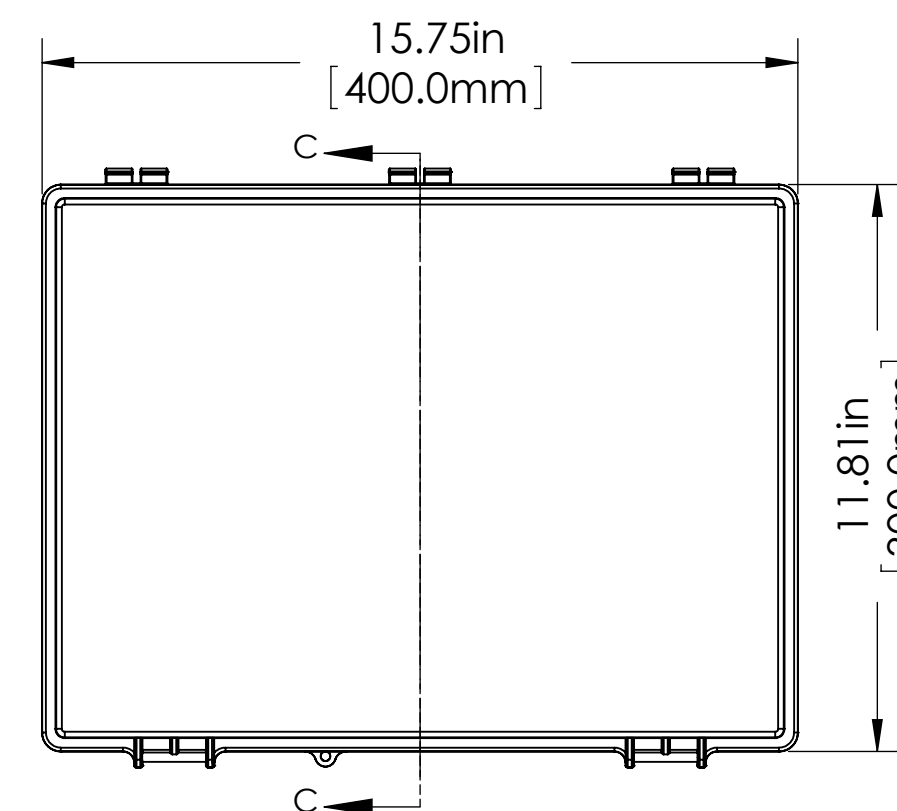
ϕ .16[4.0] x .35[9.0] DEEP
6 PLCS.

(FOR M5 x 10mm LG.
SELF-TAPPING SCREWS -
NOT SUPPLIED)

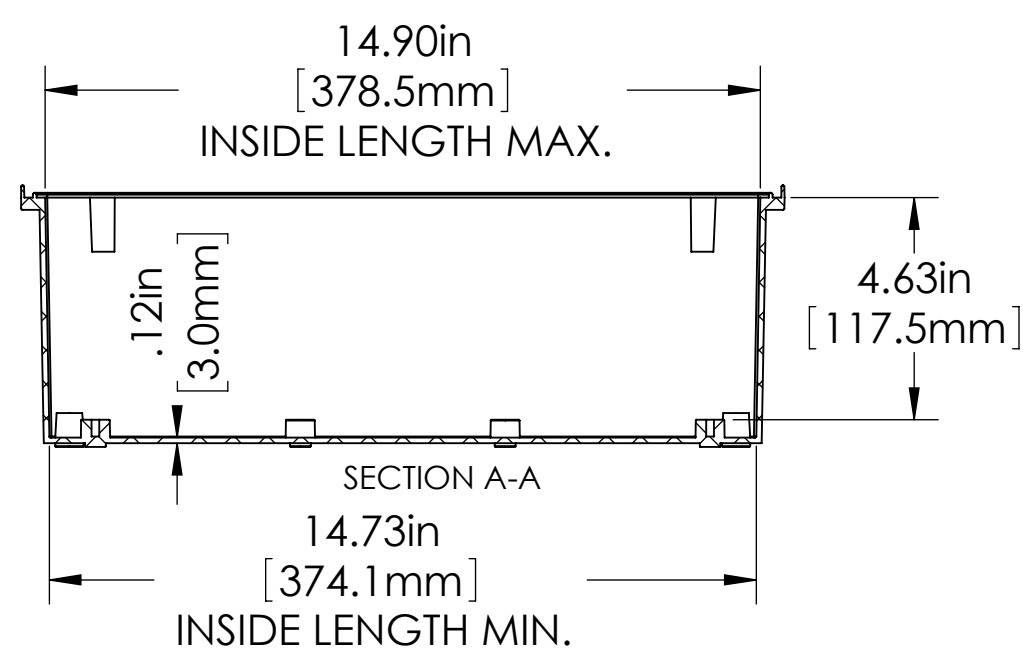
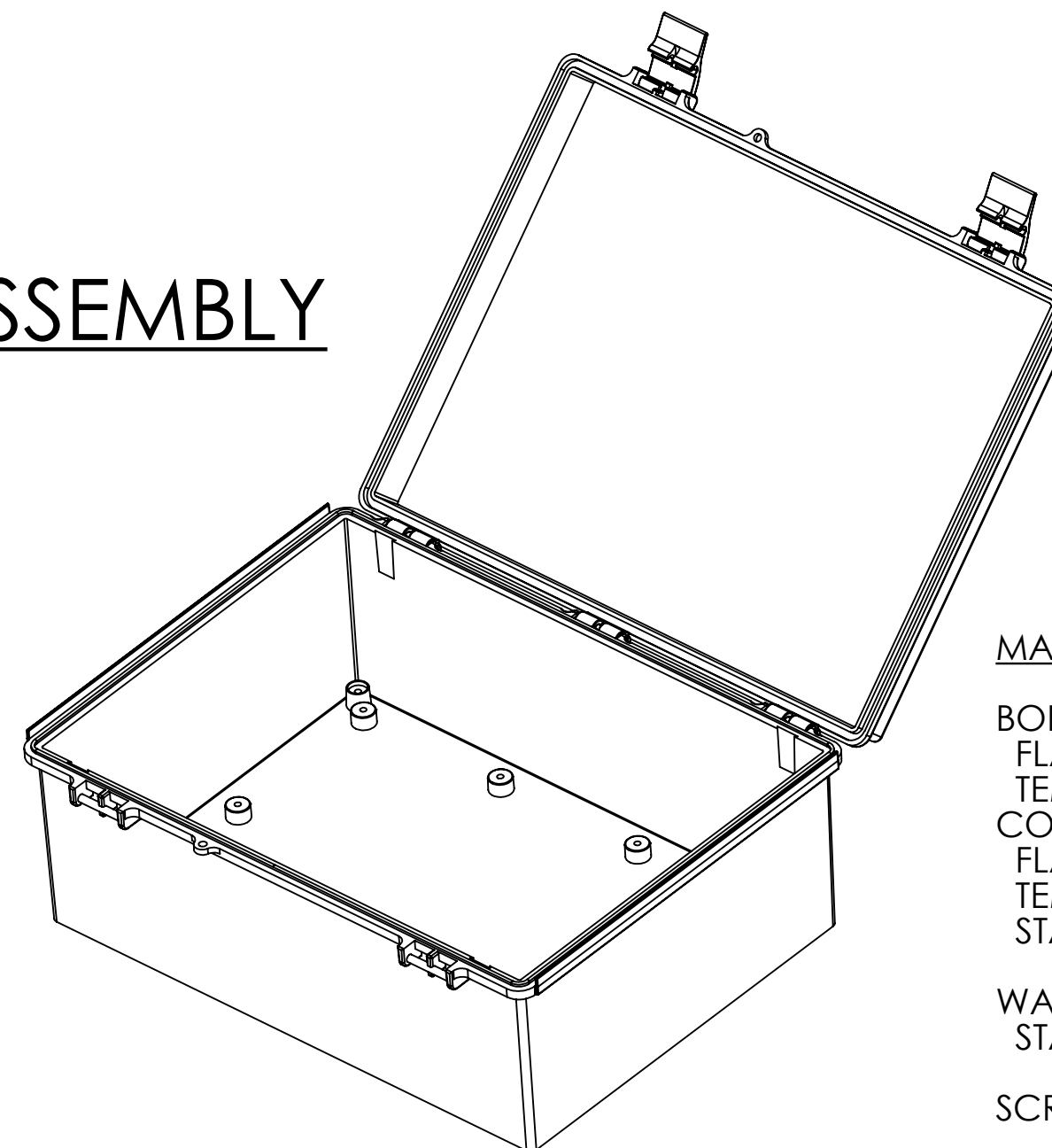
M5x.8 THREADED INSERTS
4 PLCS. (CORNERS)
(FOR M5x.8 x 10mm LG.
MACHINE SCREWS -
NOT SUPPLIED)



SECTION B-B

COVER

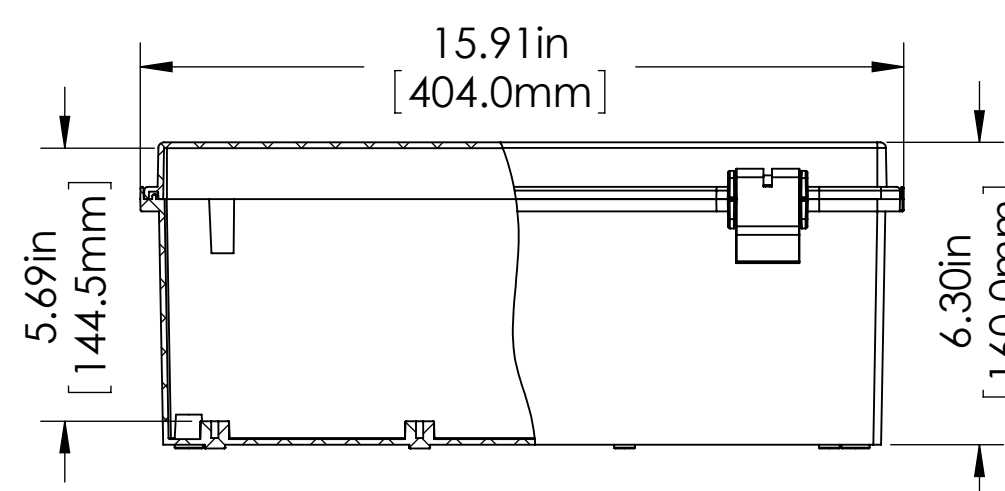
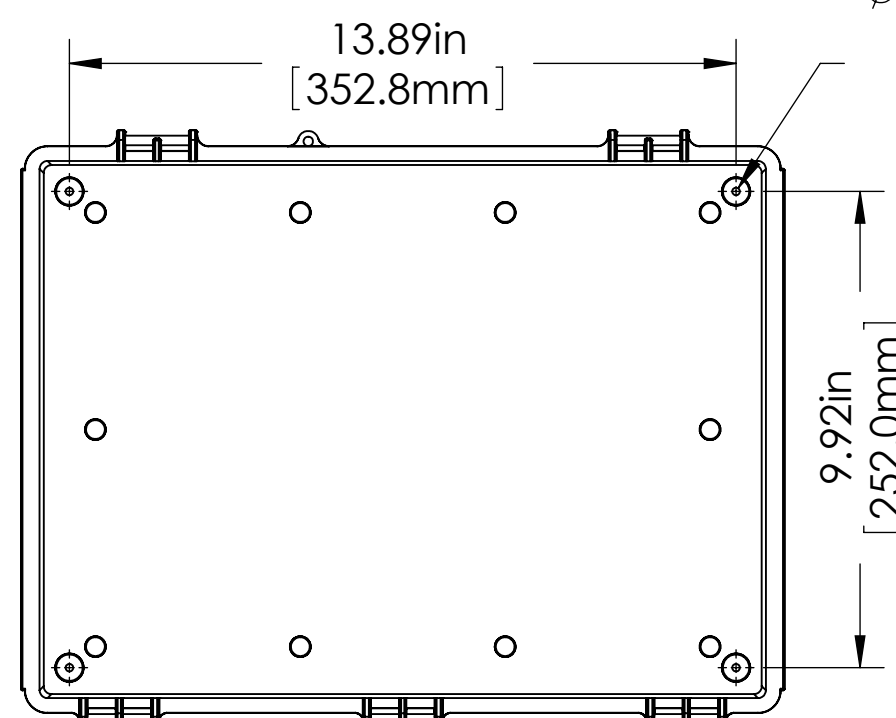
SECTION C-C

ASSEMBLY

SECTION A-A

ϕ .16[4.0] x .35[9.0] DEEP
4 PLCS.

(FOR ATTACHING
WALL MOUNT BRKTS.)

**MATERIAL**

BODY & LATCHES__ LIGHT GRAY-ABS/PC BLEND, UL94-5VA
FLAMMABILITY RATING AT CONTINUOUS OPERATING
TEMPERATURE OF -40°C~ +85°C / -40°F~ 185°F
COVER__ CLEAR POLYCARBONATE, UL94-V0
FLAMMABILITY RATING AT CONTINUOUS OPERATING
TEMPERATURE OF -40°C~ +130°C / -40°F~ 266°F & UV
STABILIZED

WALL MOUNTING BRACKETS__ 18 GA.[1.2mm]
STAINLESS STEEL

SCREWS(FOR WALL MTG. BRKTS.)__STAINLESS STEEL

THREADED BRASS INSERTS MAY HAVE SHINY APPEARANCE
DUE TO CORROSION PROTECTIVE TREATMENT

NOTES:

- 1) UNIT COMES COMPLETE WITH (4) MEDIUM WALL MOUNTING BRACKETS & (4) M5 x 10mm LG. SELF-TAPPING SCREWS. (NOT SHOWN)
- 2) BOXES DESIGNED TO MEET FOLLOWING STANDARDS:
NEMA 1,2,4,4X, AND IEC529-IP66 REQUIREMENTS.

TOLERANCE:

ALL DIMENSIONS HAVE \pm .039in [\pm 1mm]
TOLERANCE UNLESS OTHERWISE SPECIFIED.