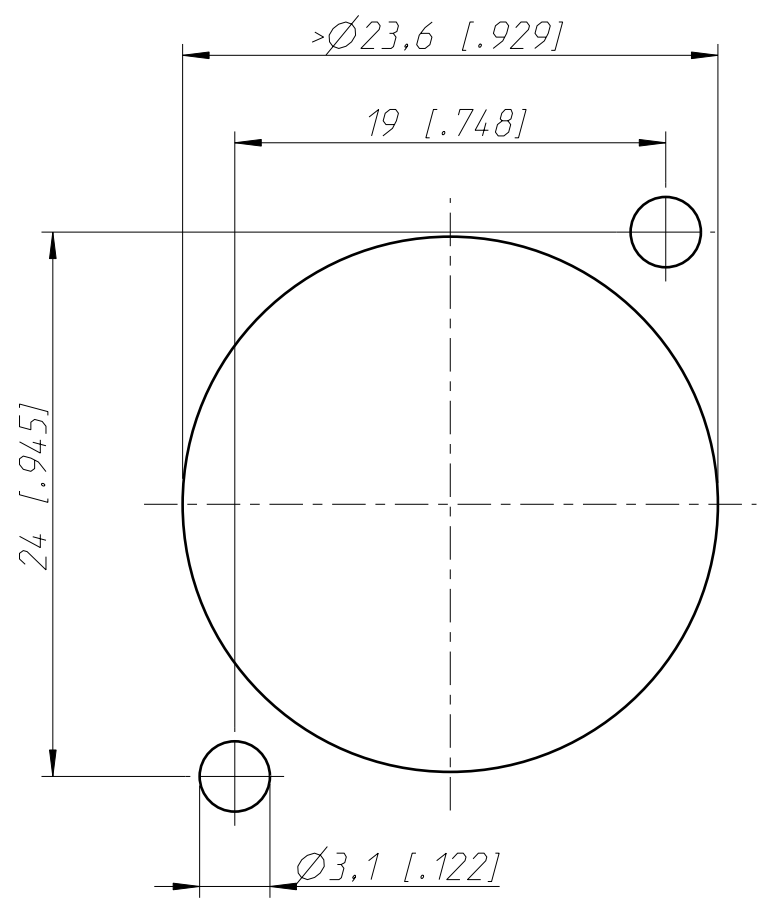
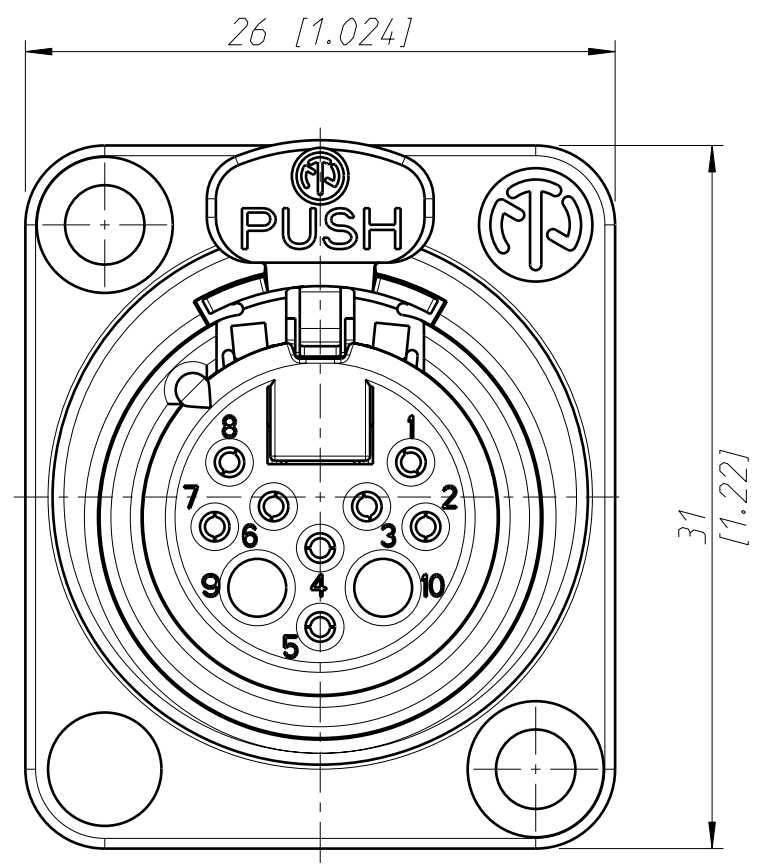
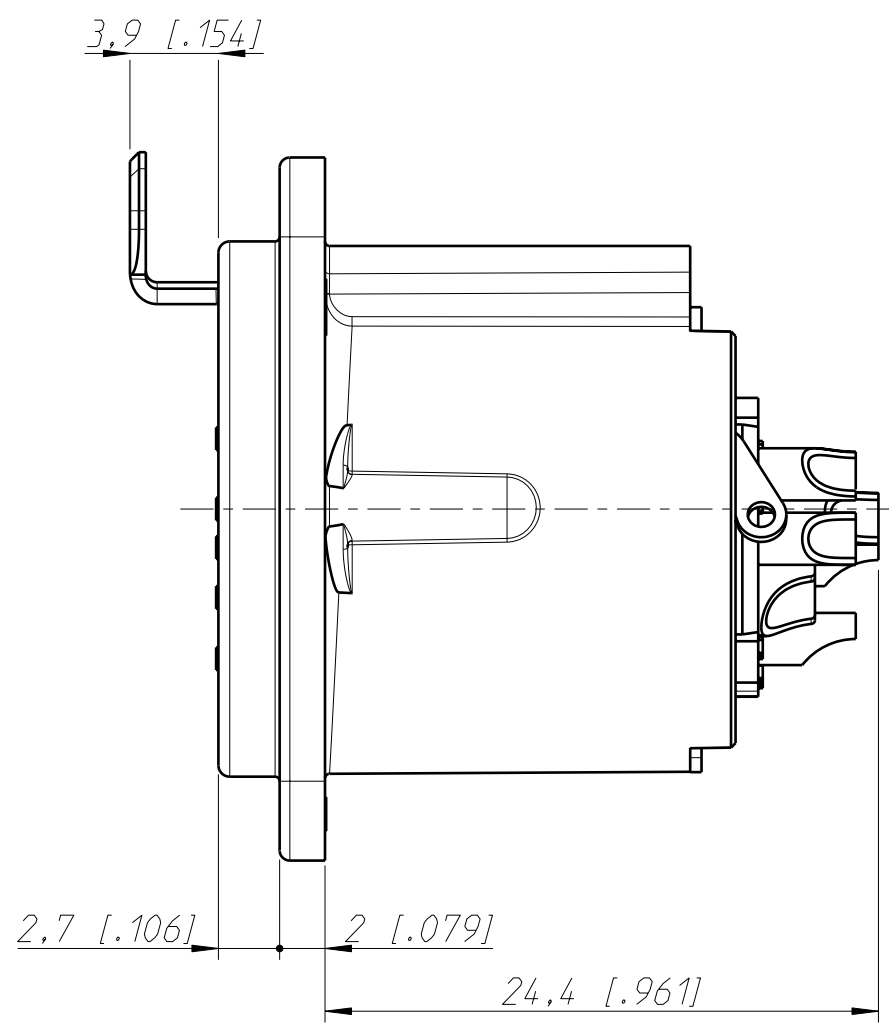


Frontplattenausschnitt (Rückseite)
panel cut out (rear side)



| | | | |
|---------------------------------------|----------|---------------|--------|
| Refer to protection notice ISO 16016. | Scale | Date | Name |
| | 3:1 (A3) | 16.02.16 | Dobler |
| Name | Modified | Change-No. | Index |
| NC 10FD-LX | - | 1 / 1 | - |
| Replacement for: | | Drawing-No. | |
| NEUTRIK | | ST-NC 10FD-LX | |