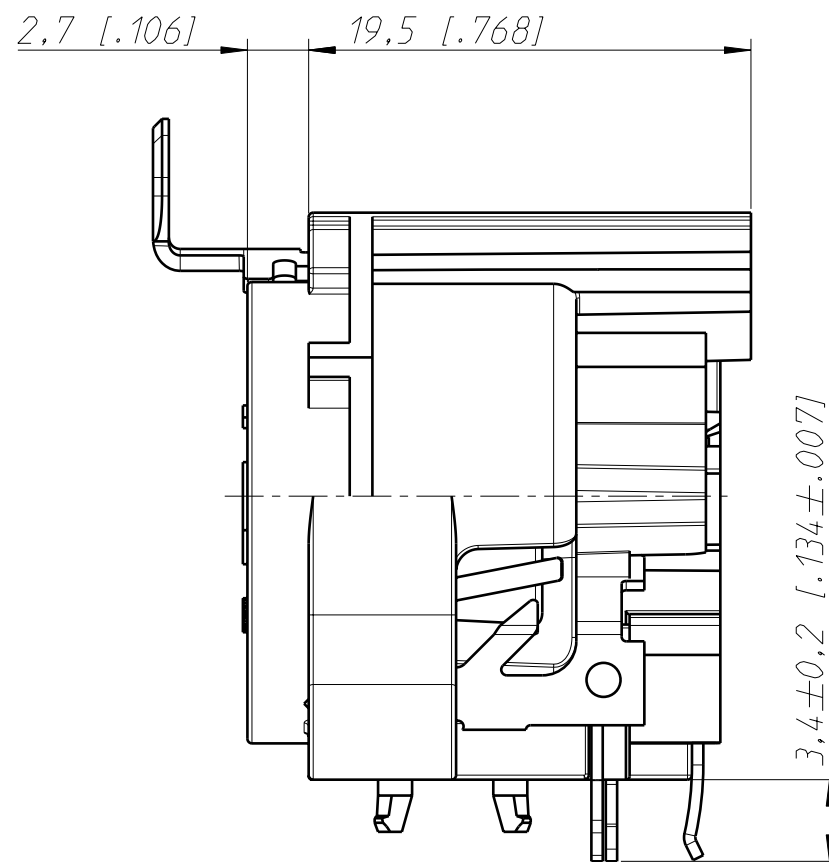
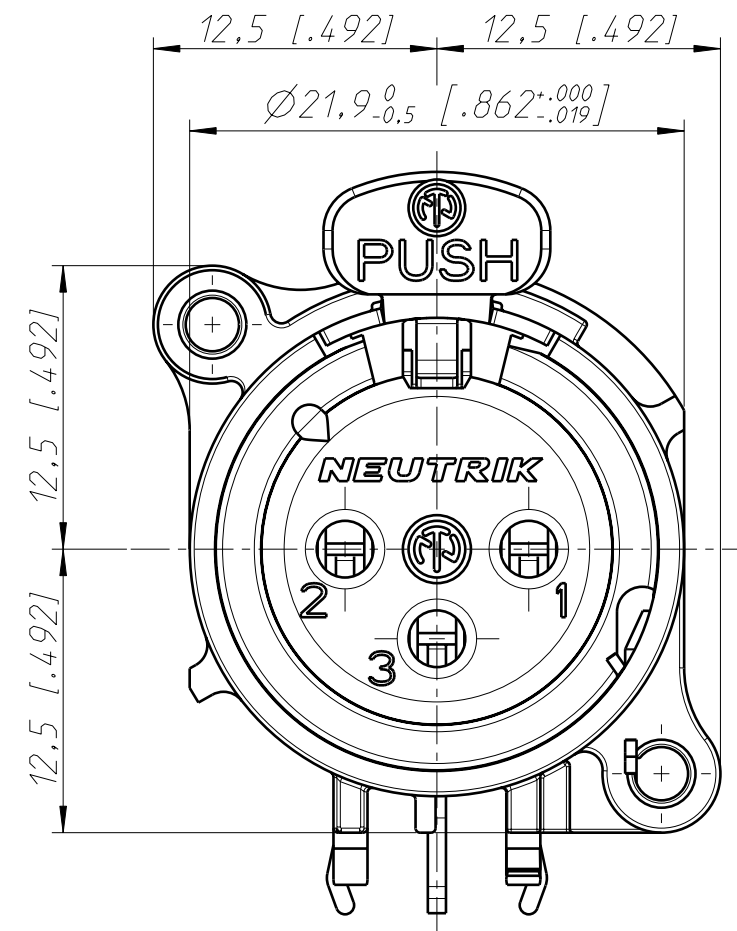


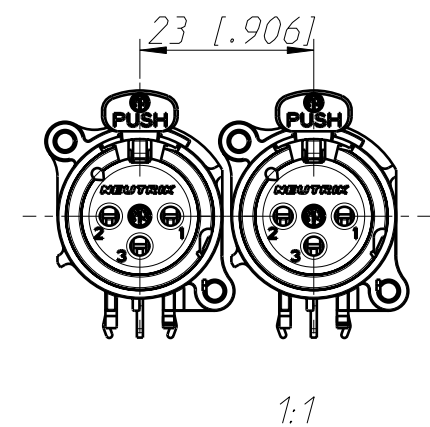
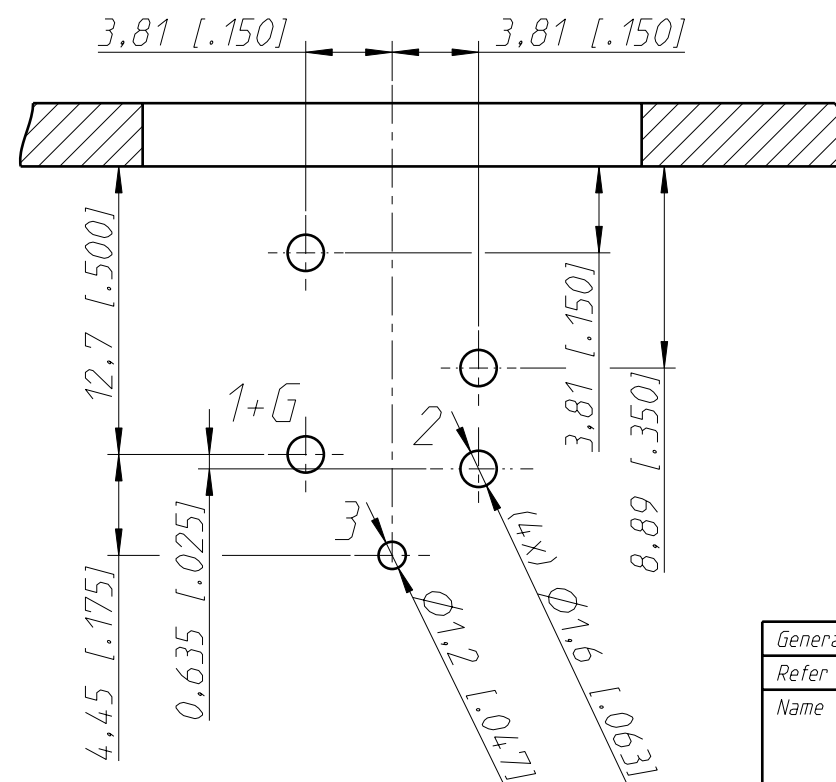
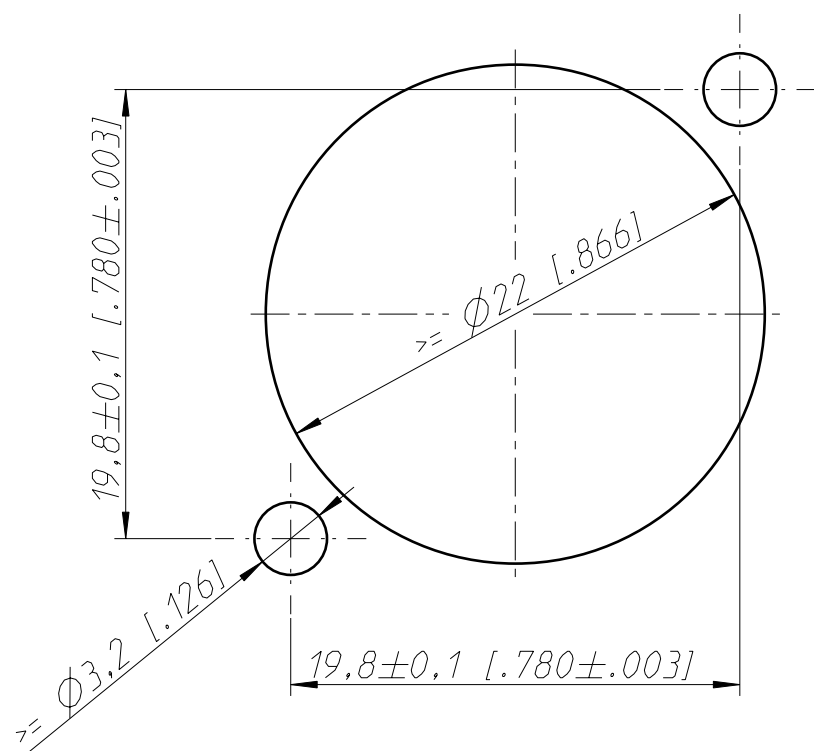
Frontplattenausschnitt (Rückseite)  
Panel cut out (rear side)



Print-Bohrplan (Bestückungsseite)  
PCB-Layout (component side)



min. Einbauabstand  
min assembling distance



General tolerances ISO 2768-m	Scale	Date	Name
Refer to protection notice ISO 16016.	3:1 (A3)	27.11.02	Dobler
Name	NC3FAAH1	Modified	07.03.19
	NC3FAAH1	Change-No.	Sheet-No.
		2018-0140	1 / 1
		Replacement for:	Index
		Drawing-No.	B
<b>NEUTRIK</b>		ST-NC3FAAH1	