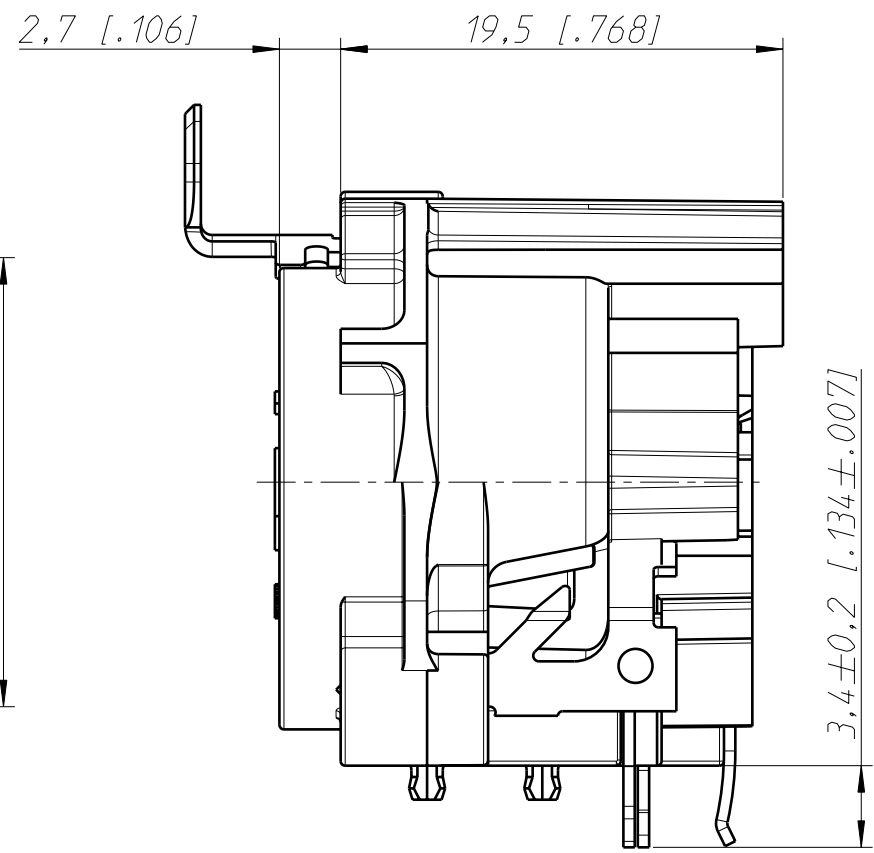
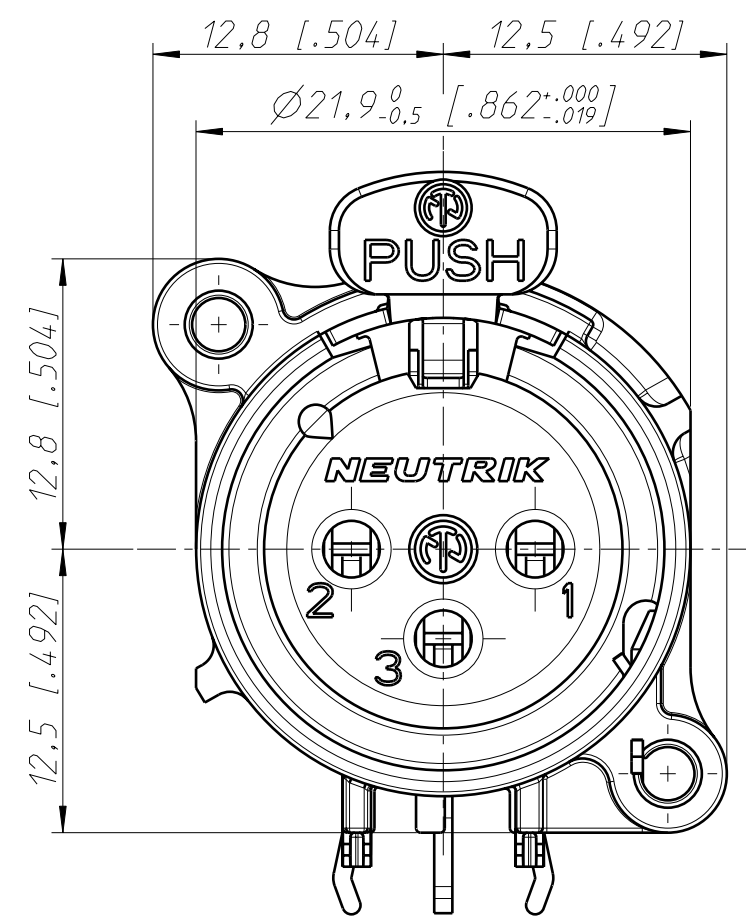


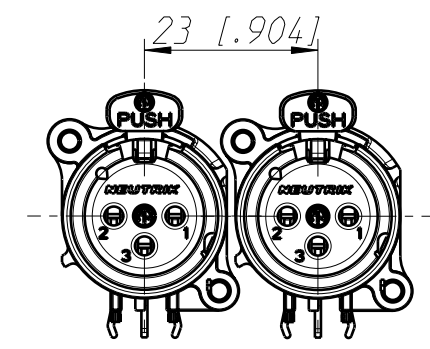
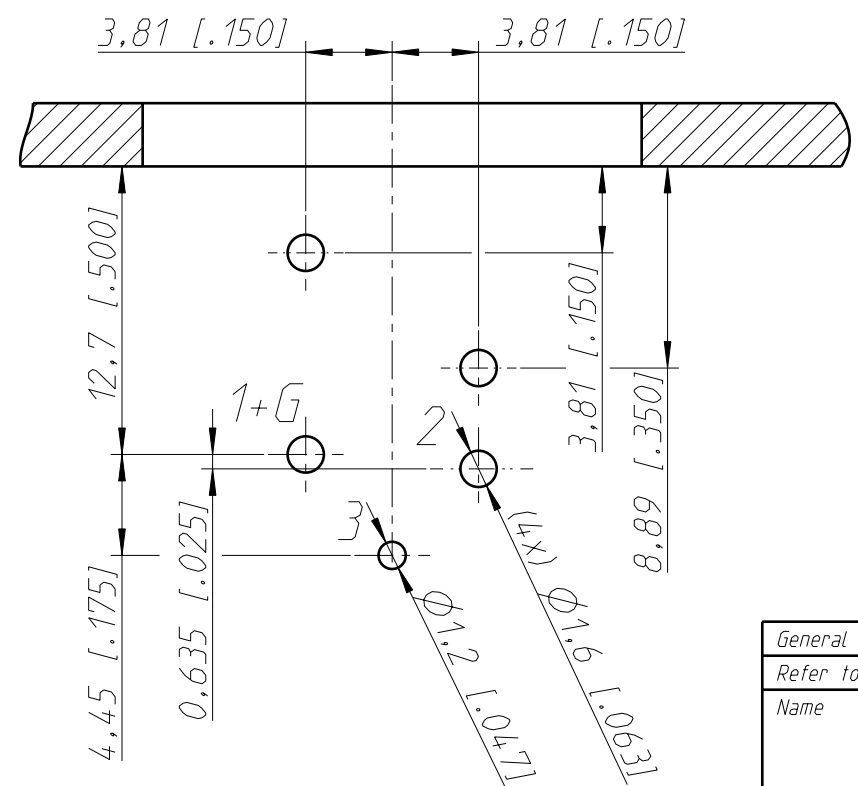
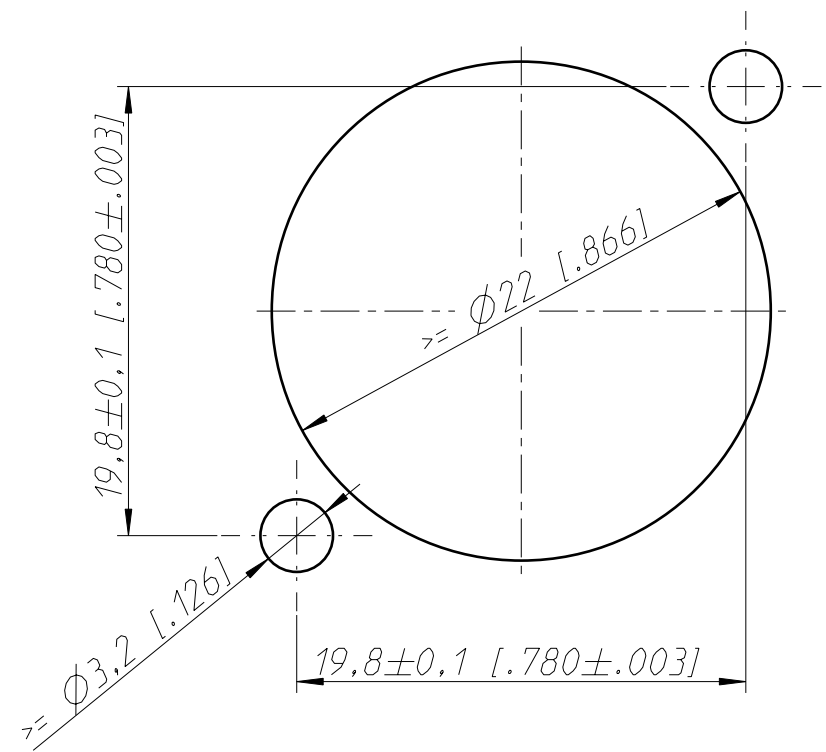
Frontplattenausschnitt (Rückseite)  
Panel cut out (rear side)



Print-Bohrplan (Bestückungsseite)  
PCB-Layout (component side)



min. Einbauabstand  
min assembling distance



1:1

Housing material: UL94 V-0

General tolerances ISO 2768-m	Scale	Date	Name
Refer to protection notice ISO 16016.	3:1 (A3)	17.11.94	Dobler
Name		Modified	Karlinger
		Change-No.	Index
		2018-0139	1 / 1
		Replacement for:	
		Drawing-No.	
<b>NC3FAH1</b>			
<b>NEUTRIK</b>			ST-NC3FAH1