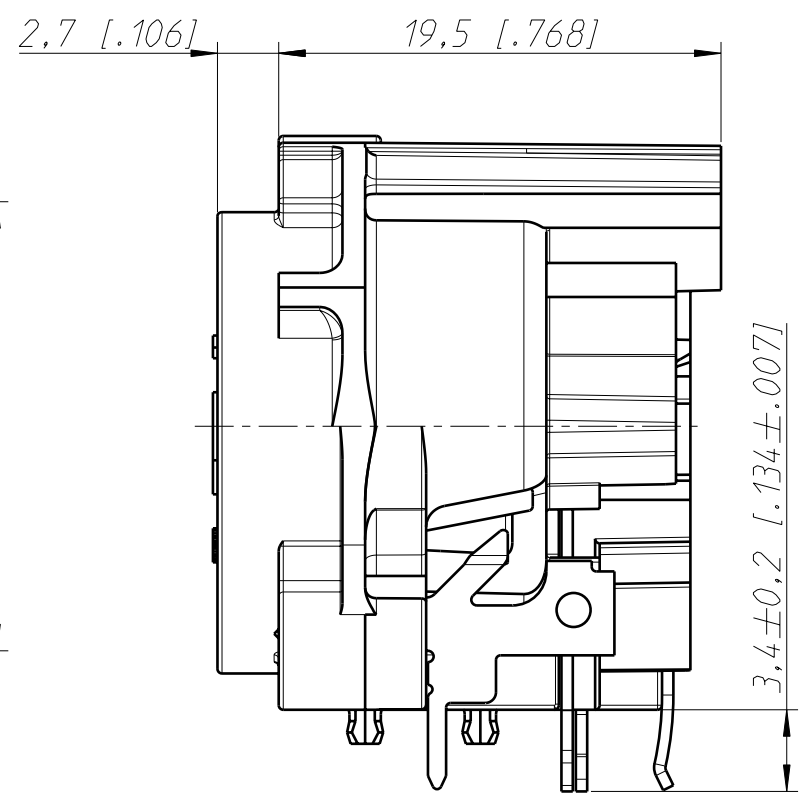
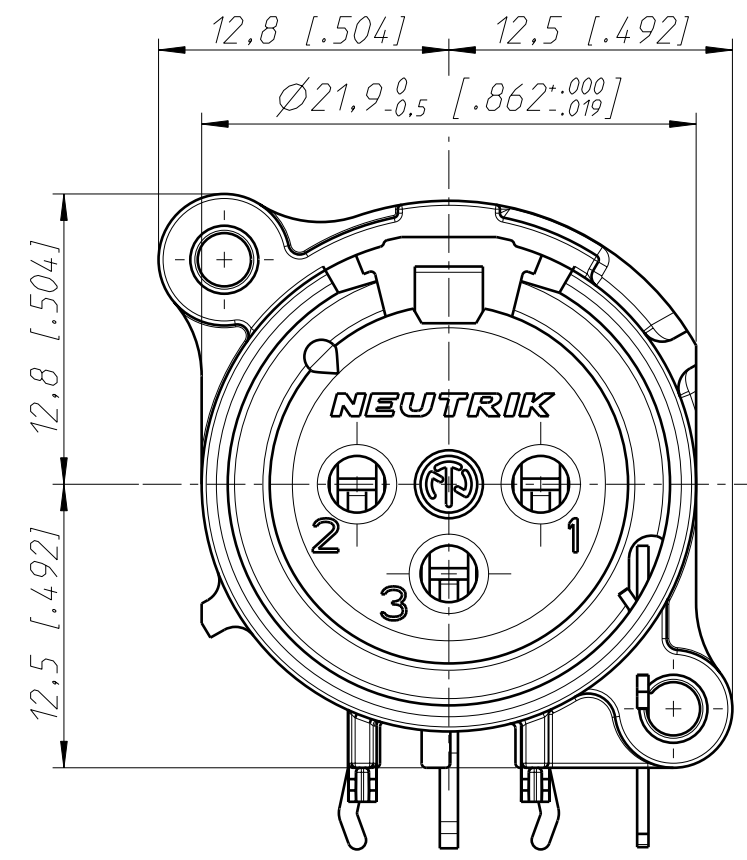


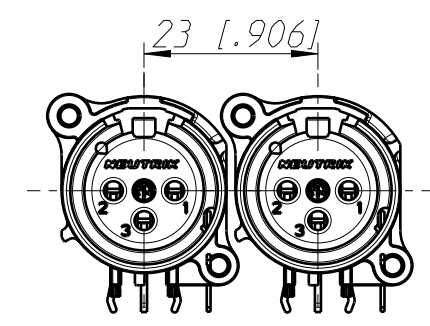
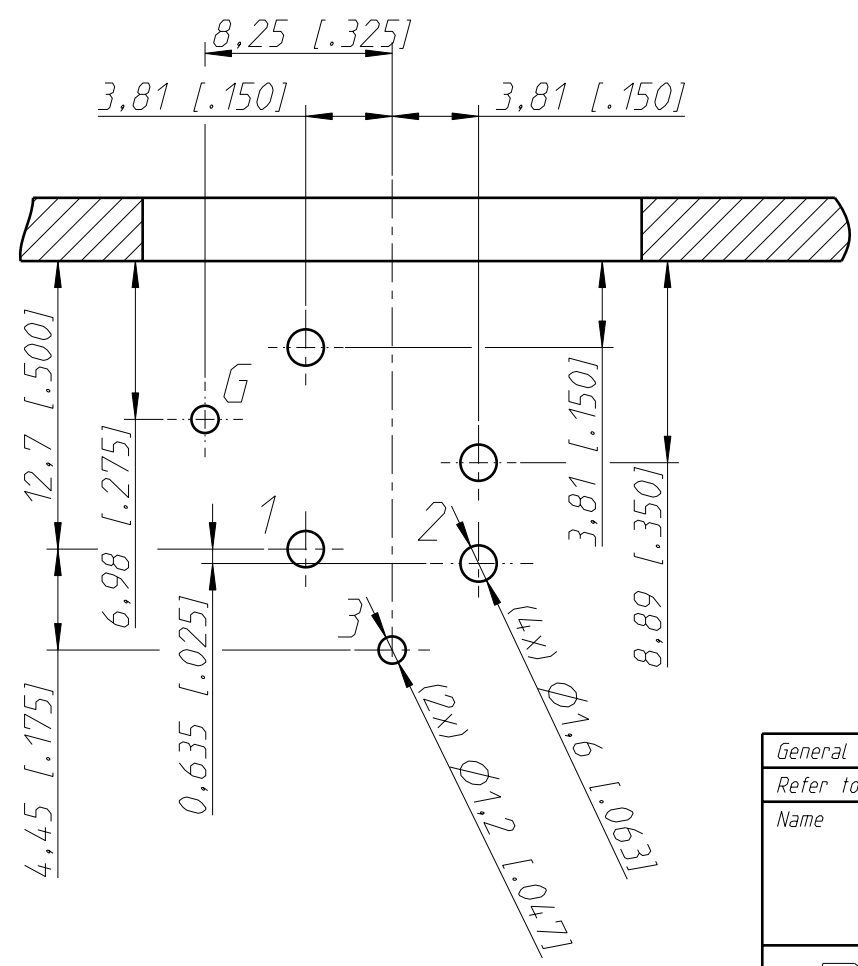
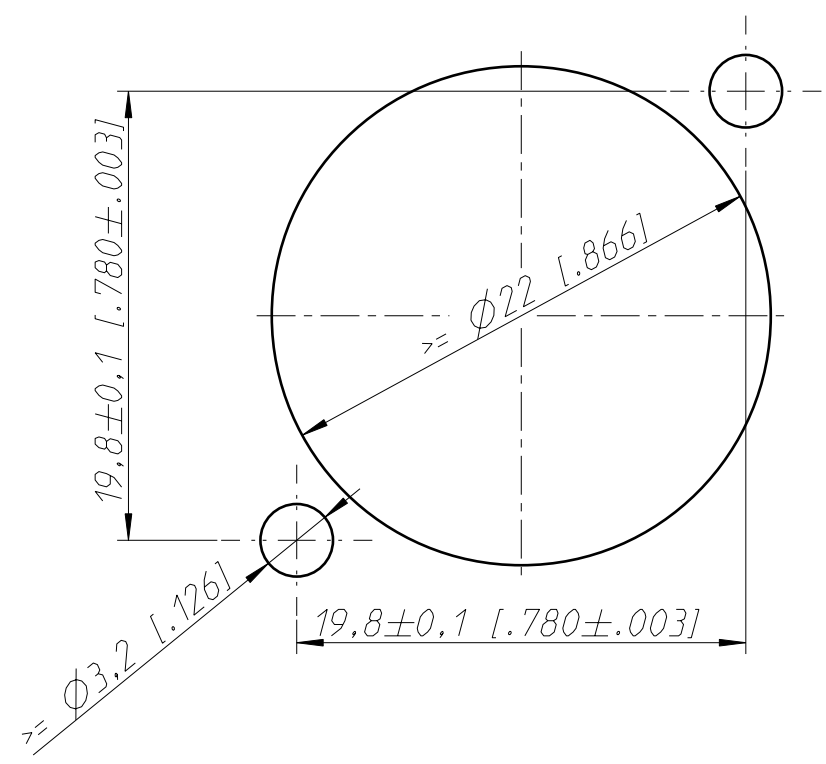
Frontplattenausschnitt (Rückseite)
Panel cut out (rear side)



Print-Bohrplan (Bestückungsseite)
PCB-Layout (component side)



min. Einbauabstand
min assembling distance



1:1

Housing material: UL94 V-0

General tolerances ISO 2768-m		Scale		Date		Name	
Refer to protection notice ISO 16016.		3:1 (A3)		18.08.94		Dobler	
Name		NC3FAH2-0		Modified		07.03.19	
		NC3FAH2-0		Change-No.		Sheet-No.	
				2018-0139		1 / 1	
				Replacement for:		Index	
				Drawing-No.		ST-NC3FAH2-0	
NEUTRIK							