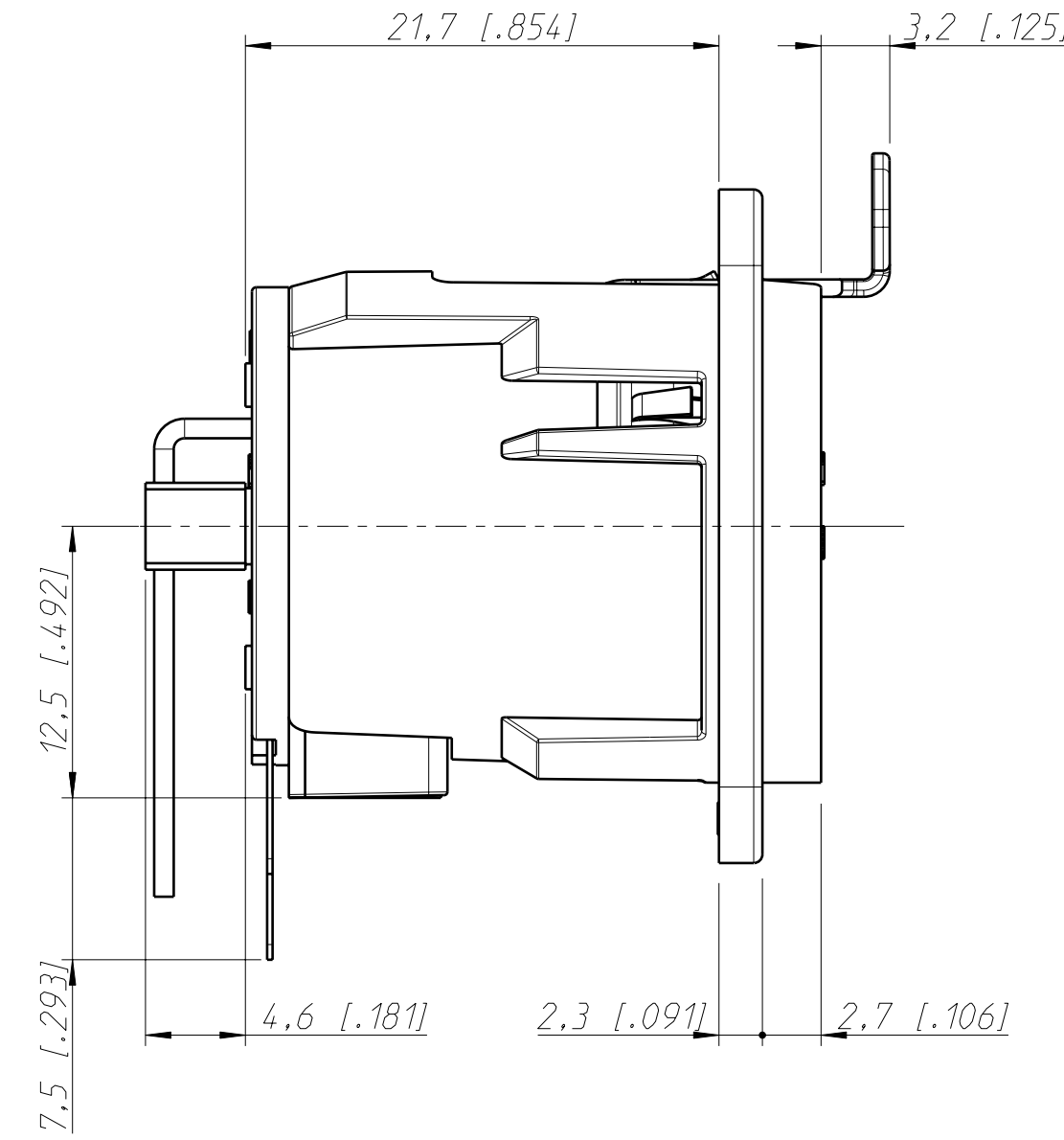
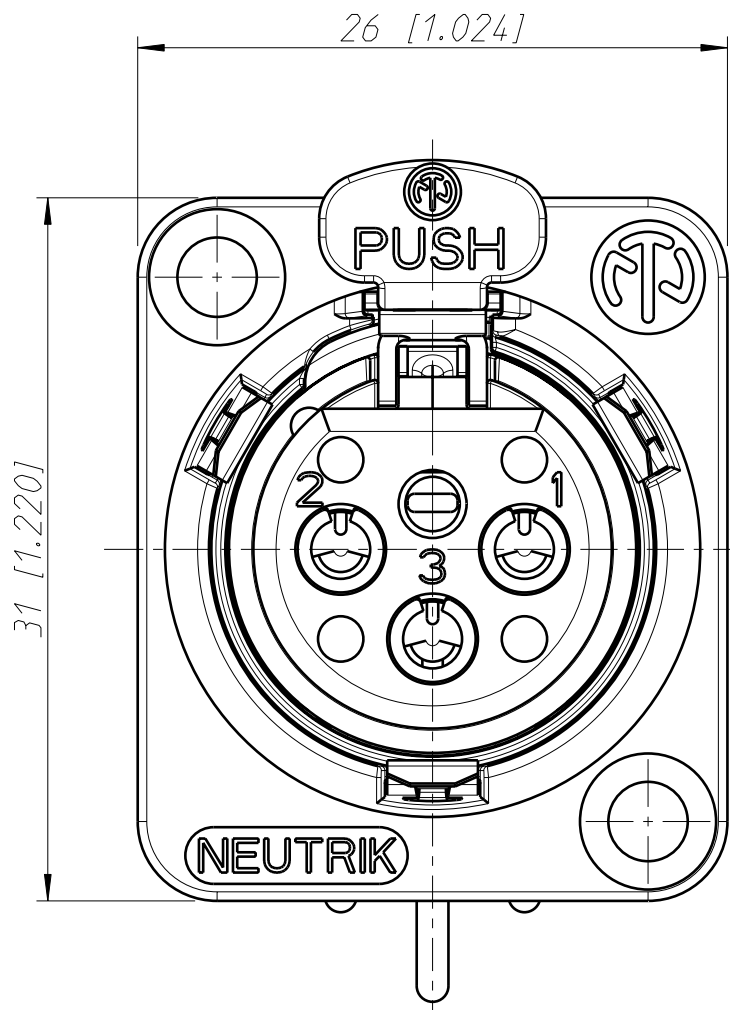
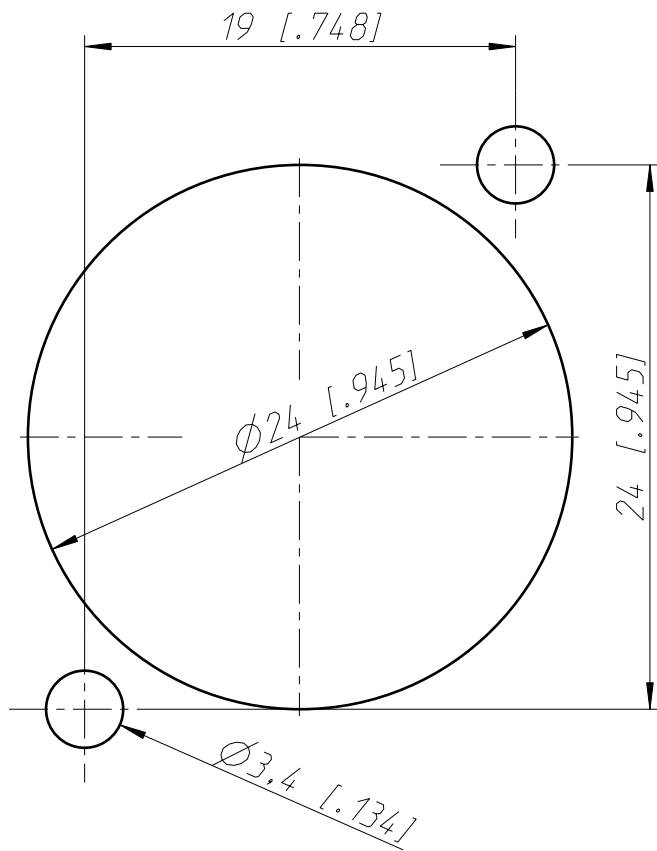


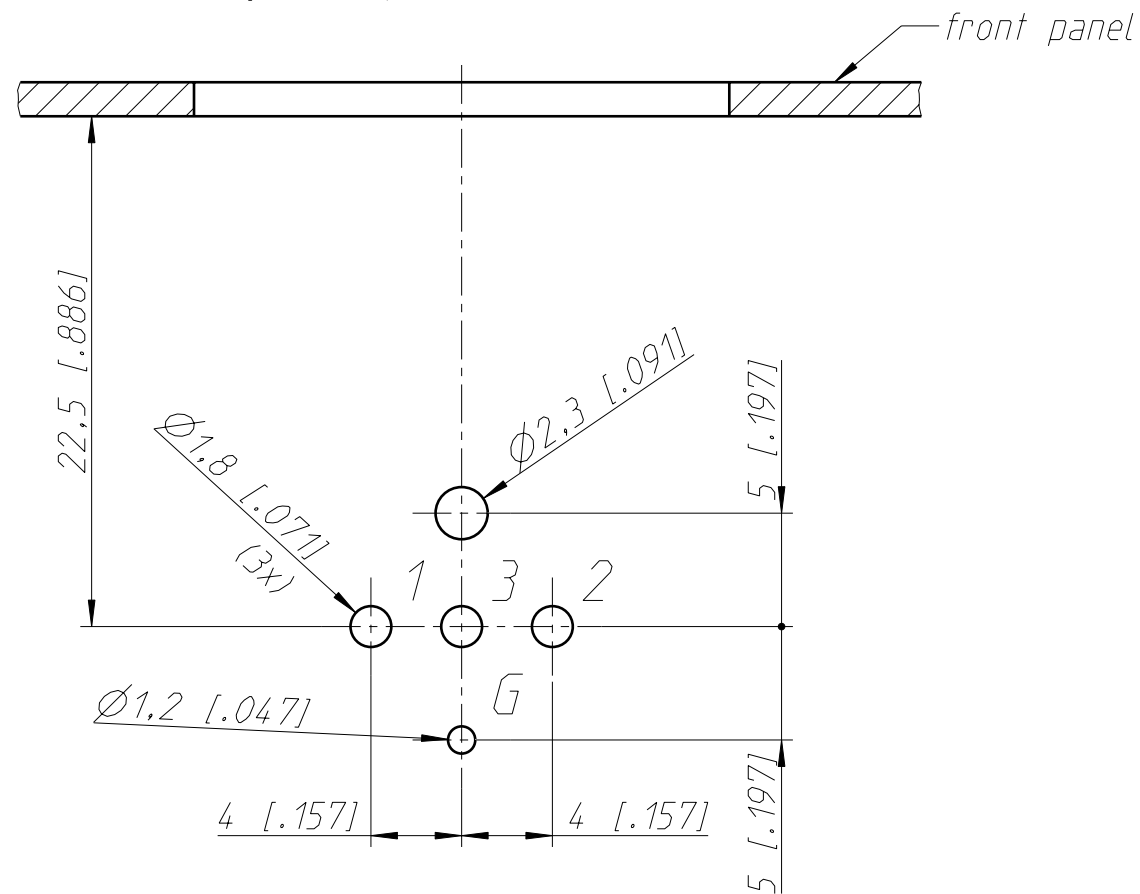
Frontplattenausschnitt (Rückseite)

Panel cut out (rear side)



Print-Bohrplan (Bestückungsseite)

PCB-Layout (component side)



General tolerances ISO 2768-m	Scale	Date	Name
Refer to protection notice ISO 16016.	3:1 (A3)	19.06.15	Dobler
Name		Modified	Hofmann
		Change-No.	Sheet-No.
		-	1 / 1
		Index	B
Replacement for:		Drawing-No.	
NEUTRIK		ST-NC3FD-H	

NC3FD-H

NEUTRIK

ST-NC3FD-H