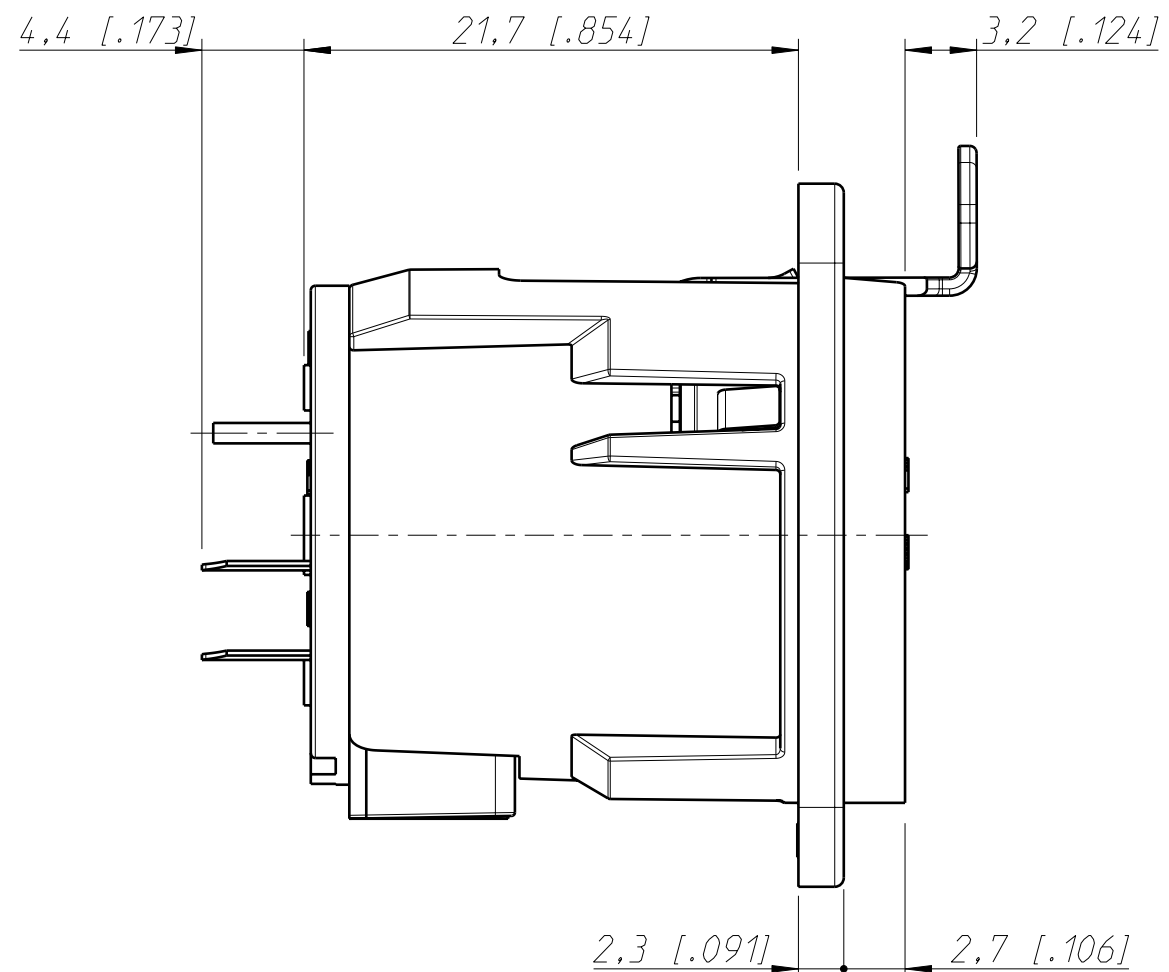
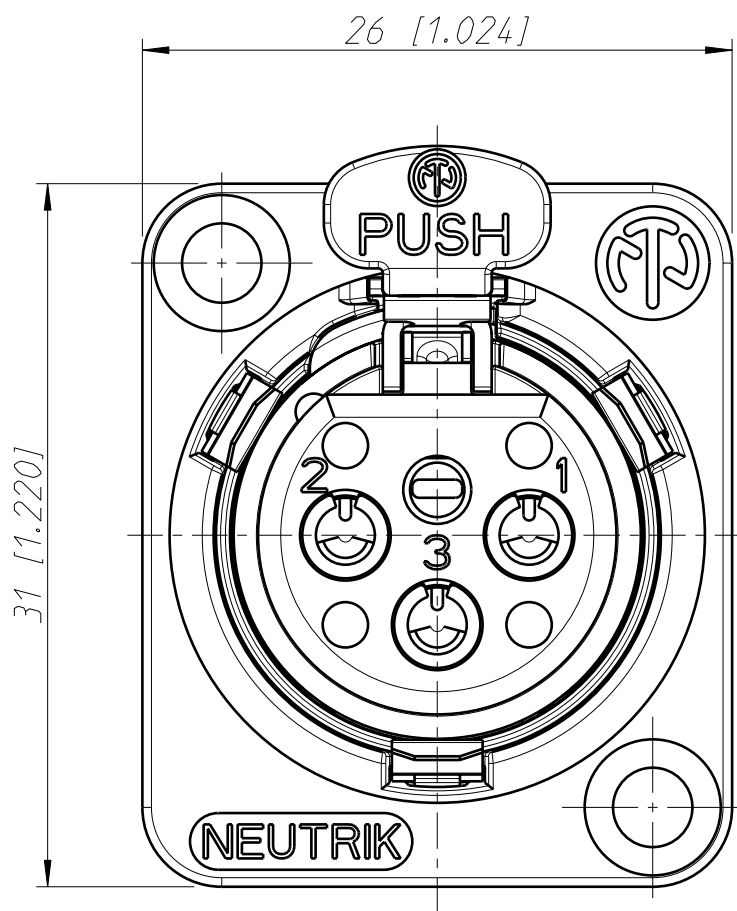
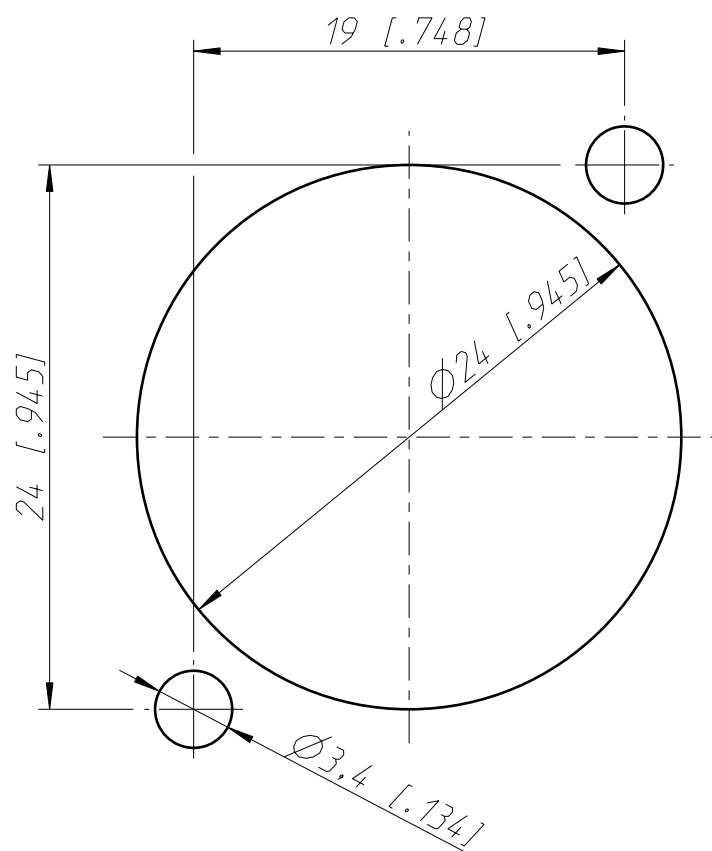
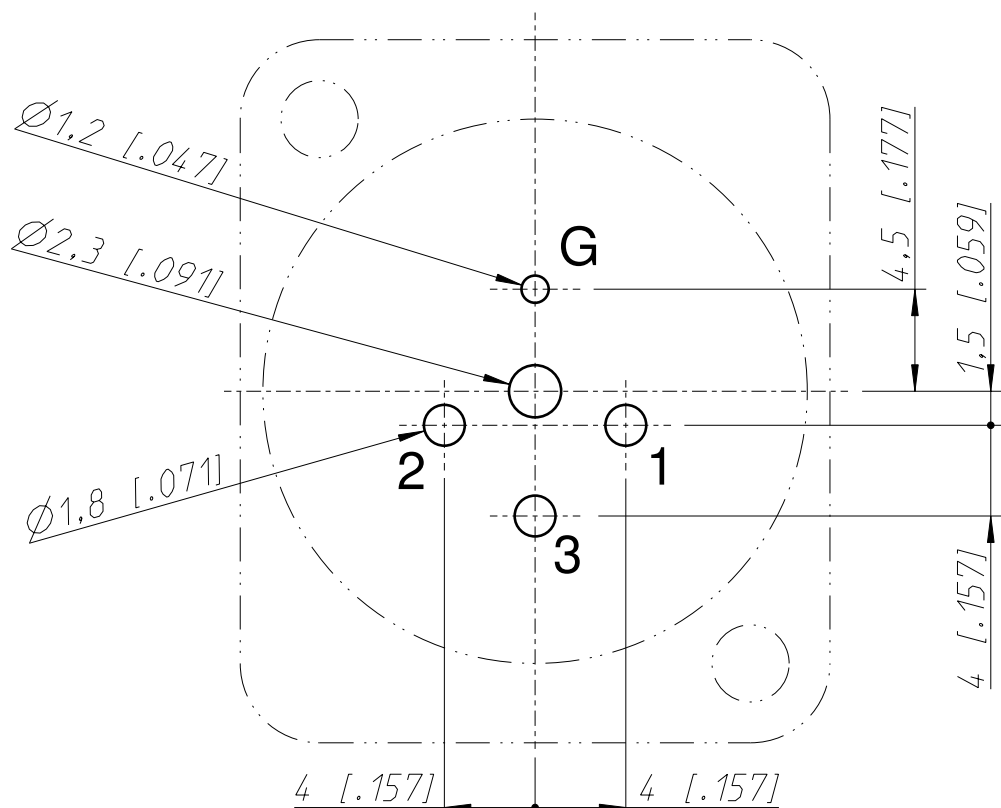


Frontplattenausschnitt (Rückseite)  
panel cut out (rear side)



Print Bohrplan (Bestückungsseite)  
PCB-Layout (component side)



|                                       |          |                  |            |
|---------------------------------------|----------|------------------|------------|
| General tolerances ISO 2768-m         | Scale    | Date             | Name       |
| Refer to protection notice ISO 16016. | 3:1 (A3) | 31.10.95         | Dobler     |
| Name                                  |          | Modified         | Dobler     |
|                                       |          | Change-No.       | Index      |
|                                       |          | 65-2015          | 1 / 1      |
|                                       |          | Replacement for: |            |
|                                       |          | Drawing-No.      |            |
|                                       |          |                  | ST-NC3FD-V |

NC3FD-V  
**NEUTRIK**