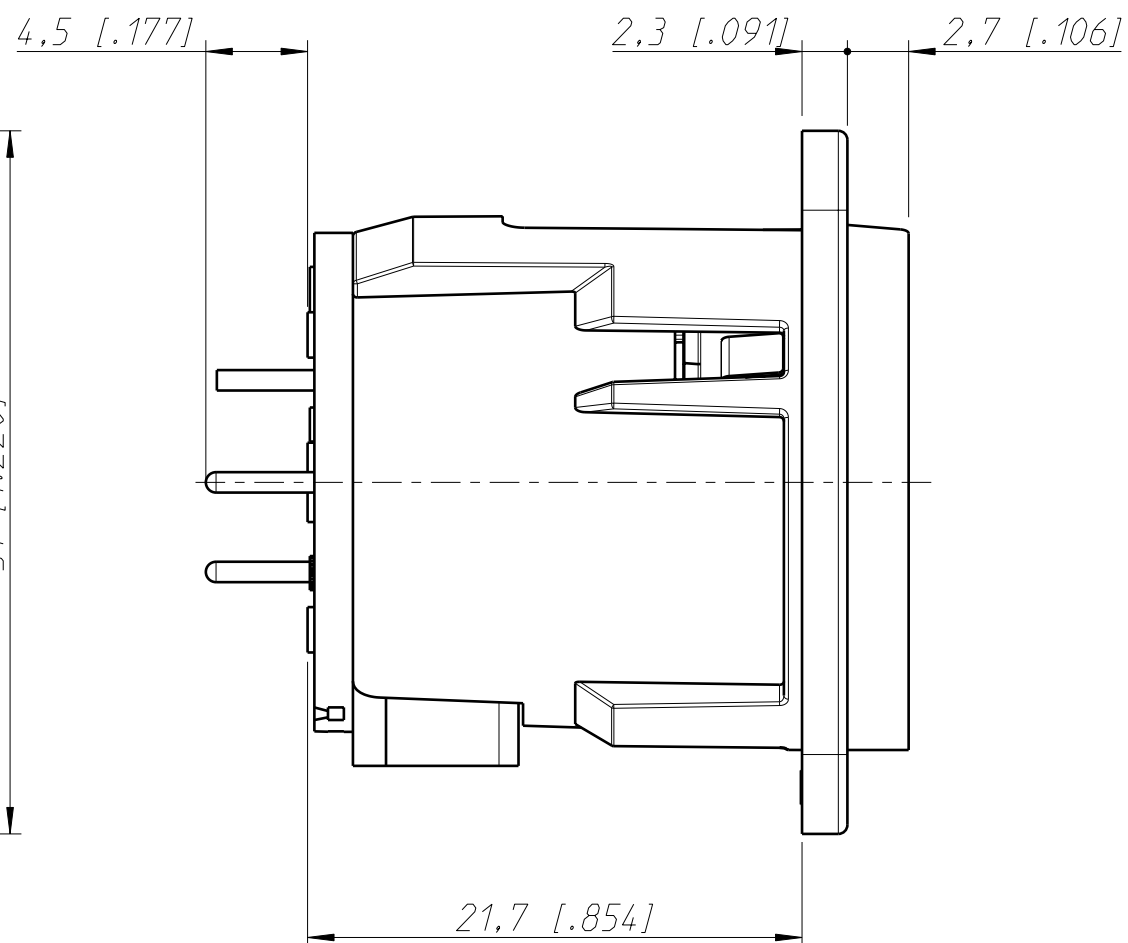
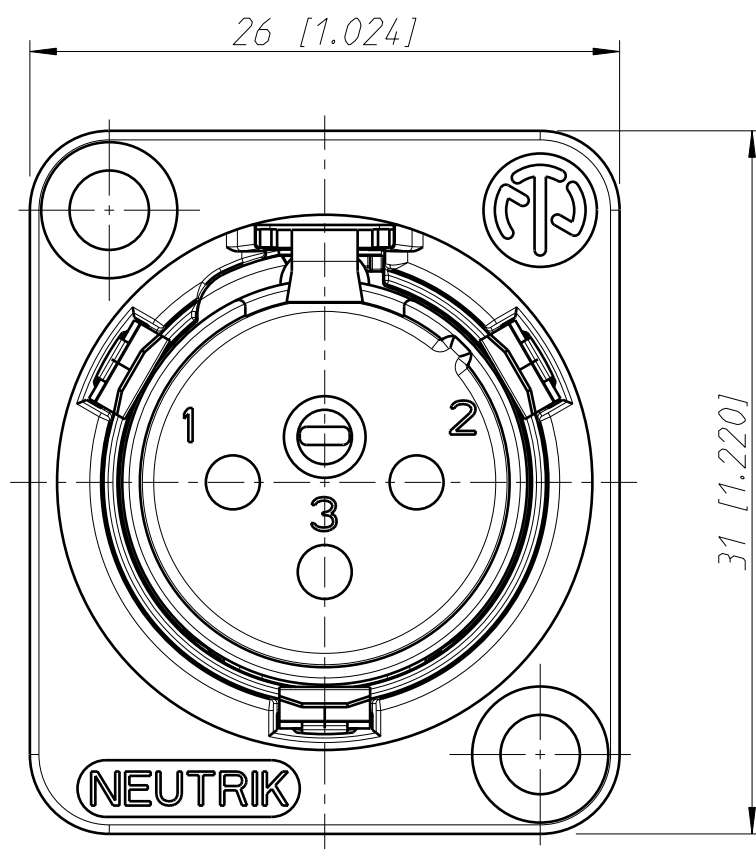
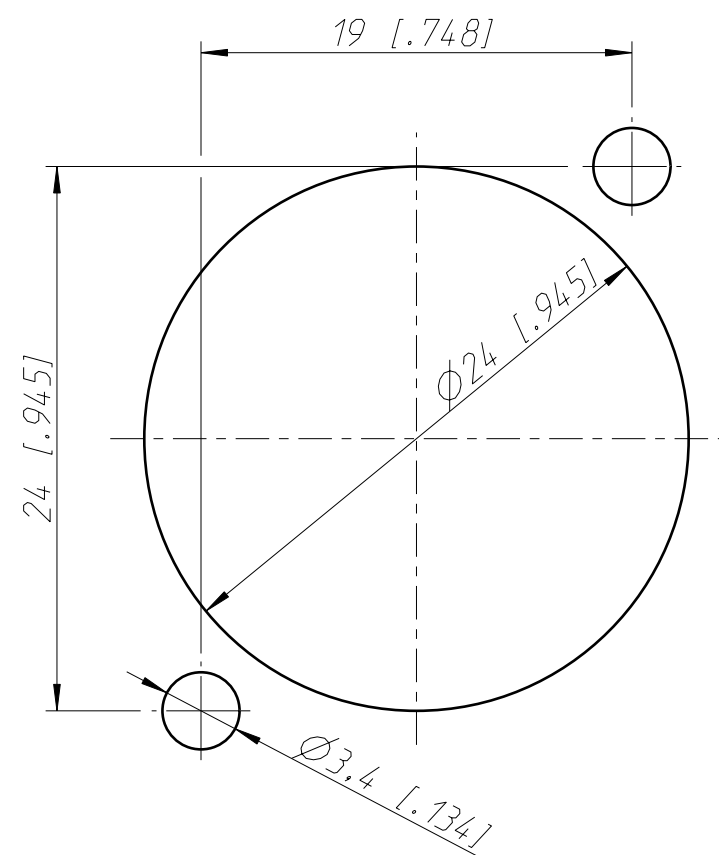
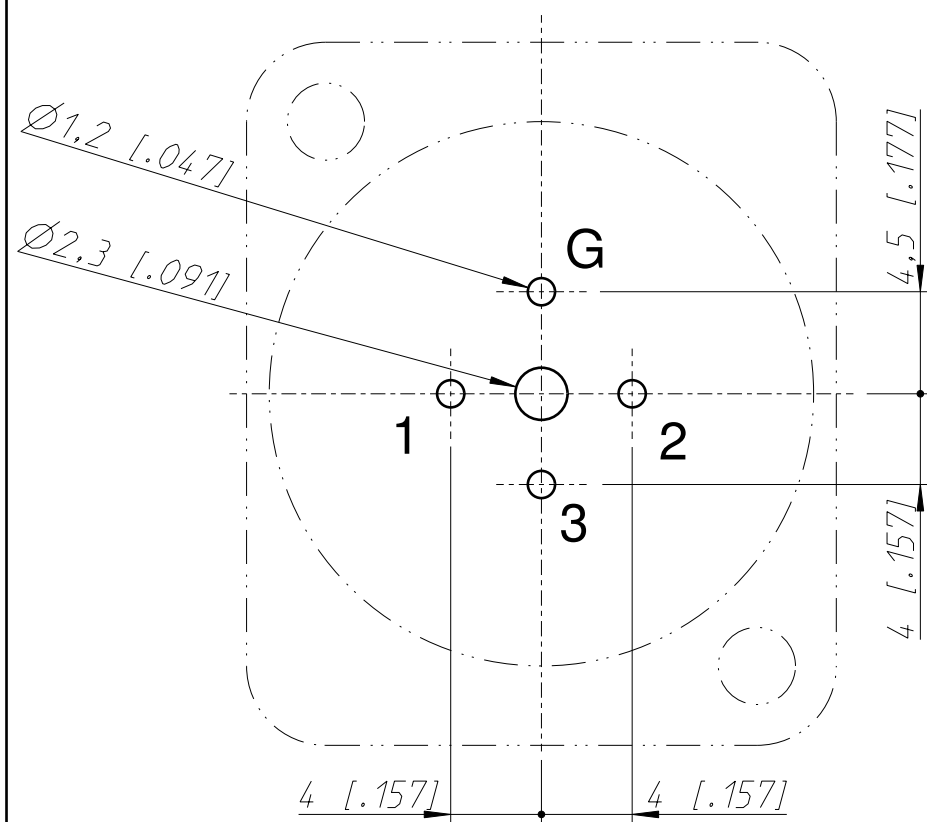


Frontplattenausschnitt (Rückseite)  
panel cut out (rear side)



Print Bohrplan (Bestückungsseite)  
PCB-Layout (component side)



General tolerances ISO 2768-m	Scale	Date	Name
Refer to protection notice ISO 16016.	3:1 (A3)	31.10.95	Dobler
Name		Modified	08.03.17
		Change-No.	65-2015
		Sheet-No.	1 / 1
		Index	B
		Replacement for:	
		Drawing-No.	ST-NC3MD-V

NC3MD-V

**NEUTRIK**