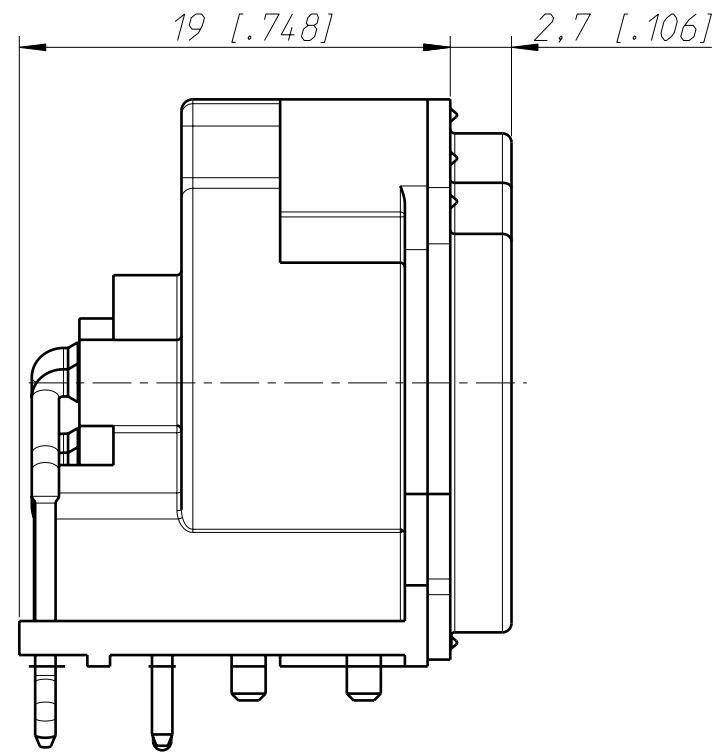
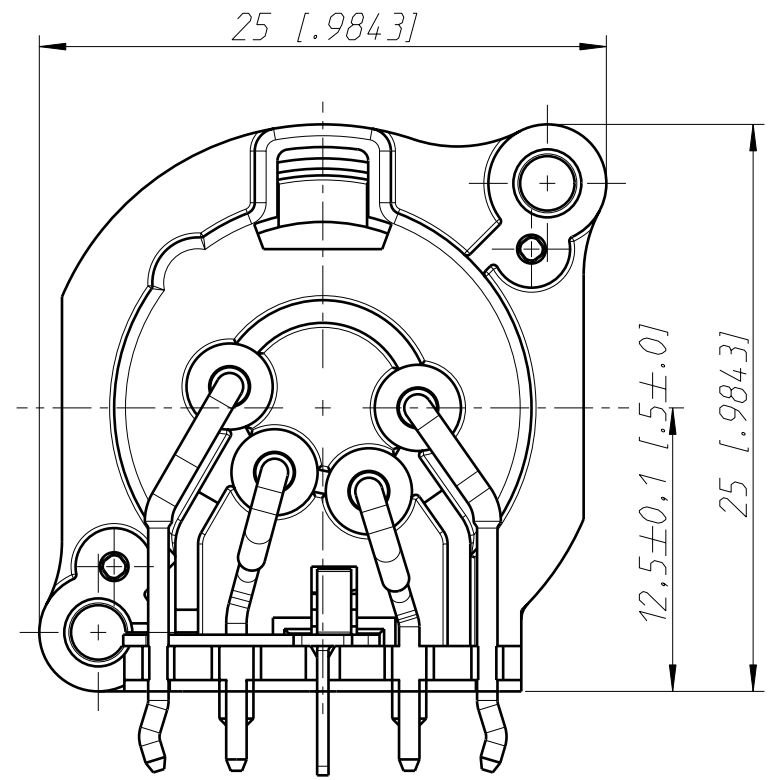


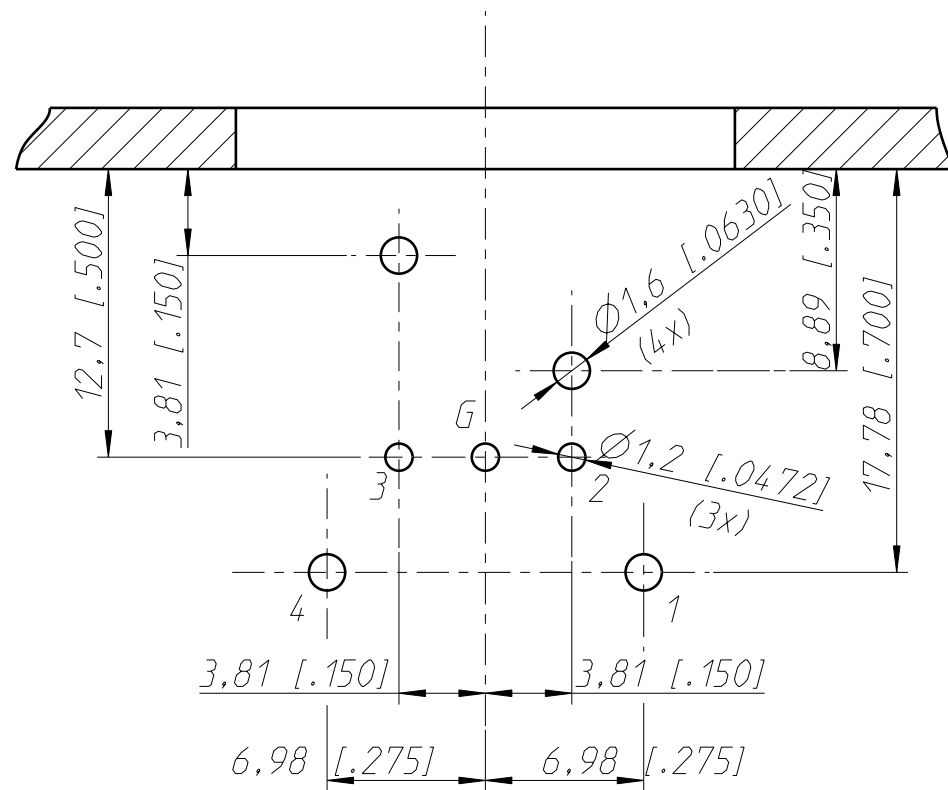
Print Bohrplan (Bestückungsseite)  
PCB-Layout (component side)



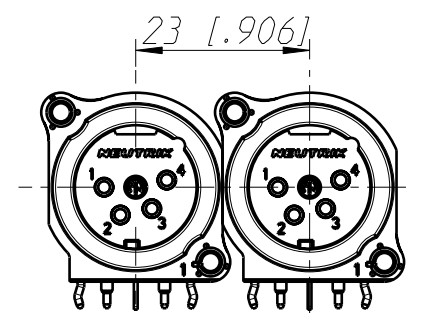
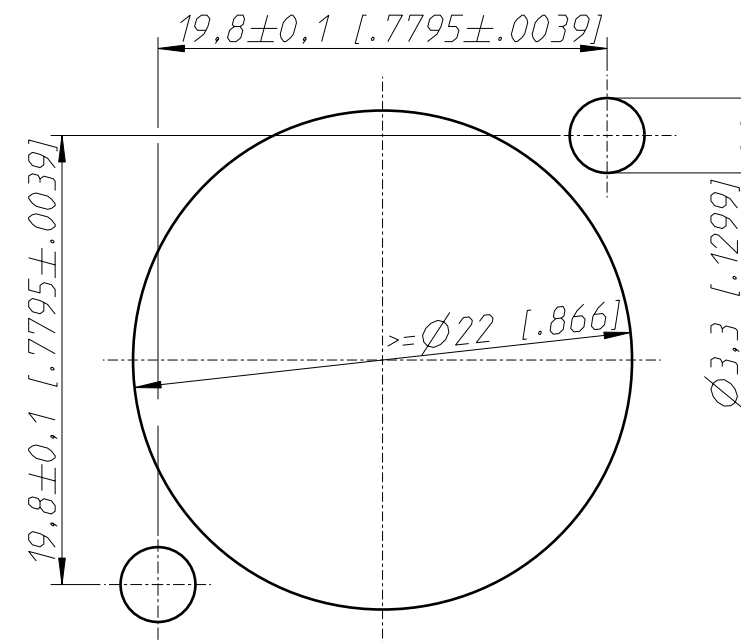
Frontplattenausschnitt (Rückseite)  
Panel cut out (rear side)



min. Einbauabstand  
min. assembling distance  
M 1:1



Layout tolerance:  $\pm 0.05$  mm [0.002"]



General tolerances ISO 2768-m	Scale	Date	Name
Refer to protection notice ISO 16016.	3:1 (A3)	05.10.00	Peter
Name	NC 4MBH	Modified	-
	NC 4MBH	Change-No.	Sheet-No.
		-	1 / 2
		Replacement for:	
		Drawing-No.	ST-NC 4MBH
<b>NEUTRIK</b>			