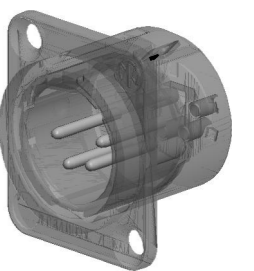
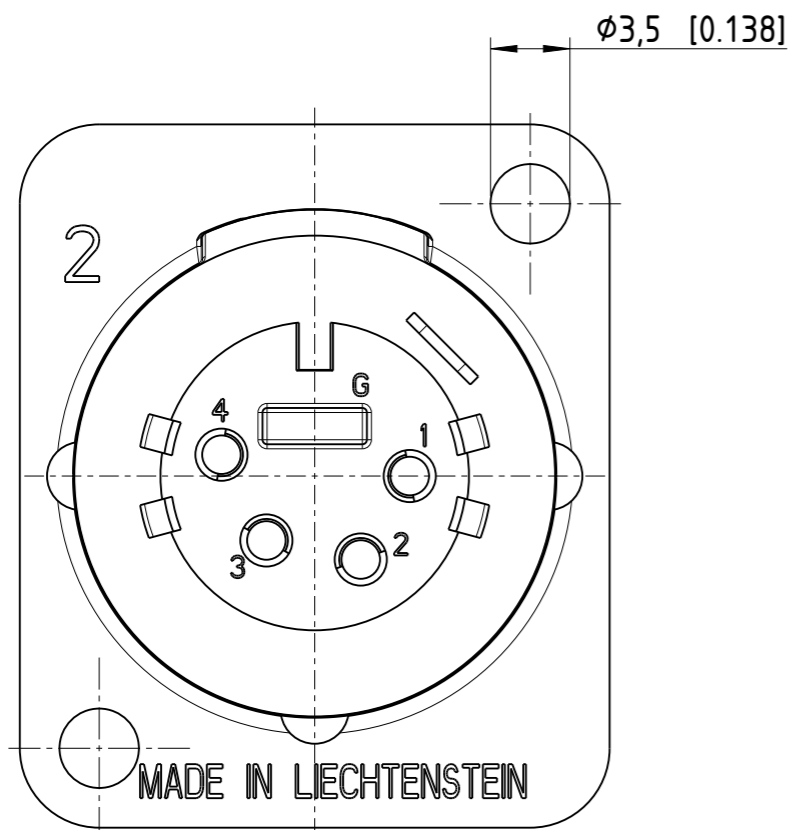
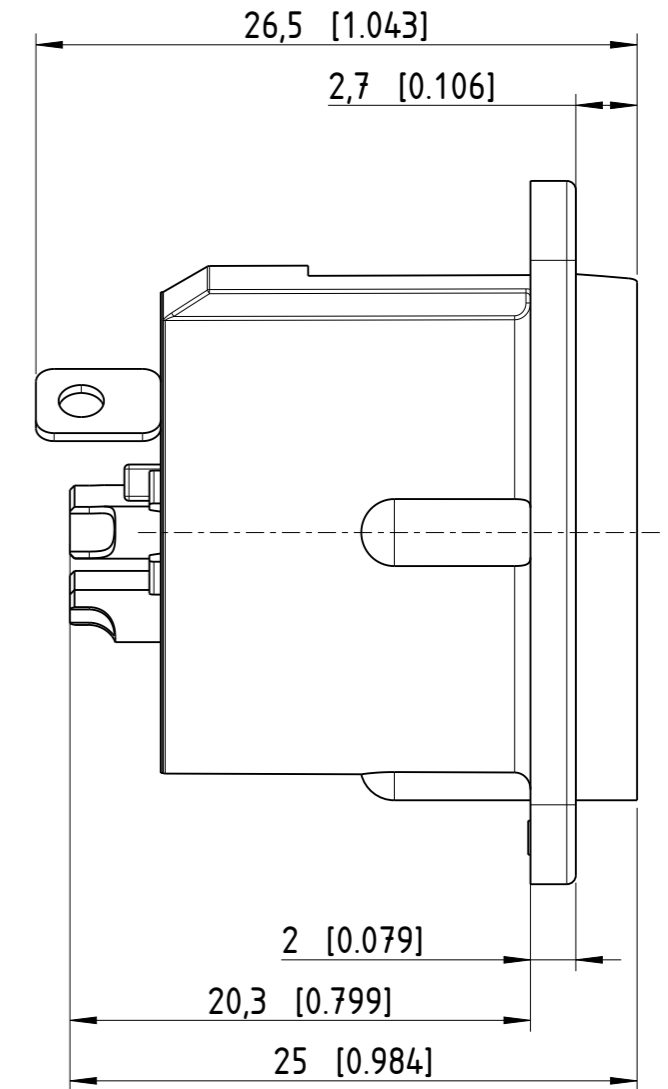
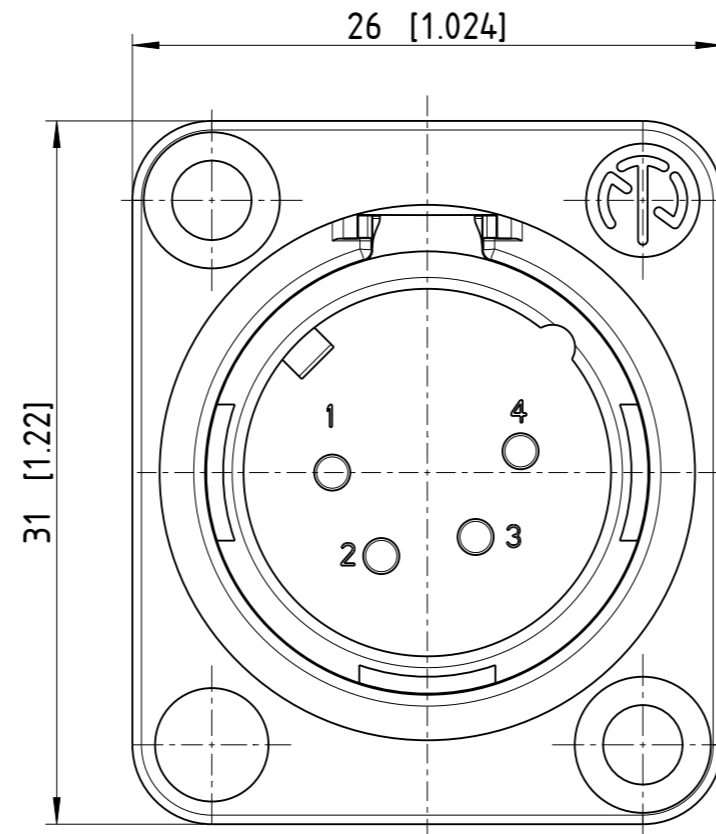
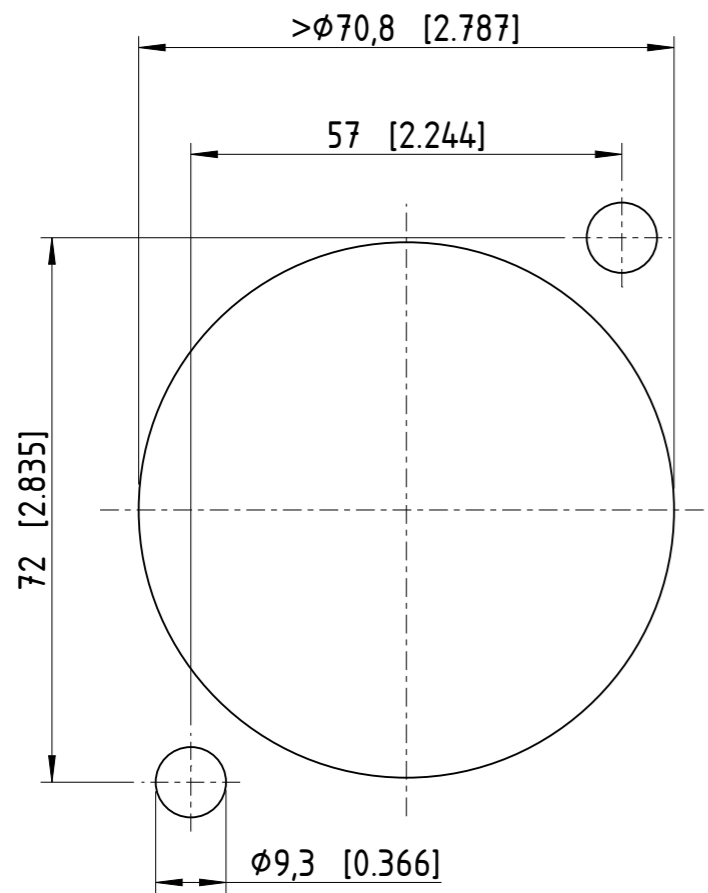


Frontplattenausschnitt (Rückseite)
panel cut out (rear side)



1:1

Sheet Number 1/1	Projection 	Scale 3:1	Format A3	General Tolerancing ISO 2768 mK	
Description			Created on/by	05.10.2022	Feurle E.
NC4MD-L-B-1			Approved on/by	11.10.2022	Schmiedl T.
			Article ID	Model ID	Drawing ID
			NC4MD-L-B-1	30009987	20004065
Status	Revision		ECN Number		Neutrik Group
Released	-		-		