

Test Procedure for the NCP1060BUCKGEVB

ON Semiconductor®



The following steps detail the test procedure for all these boards:

Necessary Equipment:

- 1 Current limited 90 ÷ 265Vrms AC source (current limited to avoid board destruction in case of a defective part) (e.g. AGILENT 6811)
- 1 AC Volt-Meter able to measure up to 300V AC. (e.g. KEITHLEY 2000)
- 1 AC Amp-Meter able to measure up to 3A AC. (e.g. KEITHLEY 2000)
- 4 DC Volt-Meter able to measure up to 50V DC. (e.g. KEITHLEY 2000)
- 4 DC Amp-Meter able to measure up to 5A DC. (e.g. KEITHLEY 2000)
- 4 DC Electronic Load 0 - 60A (e.g. AGILENT 6060B)

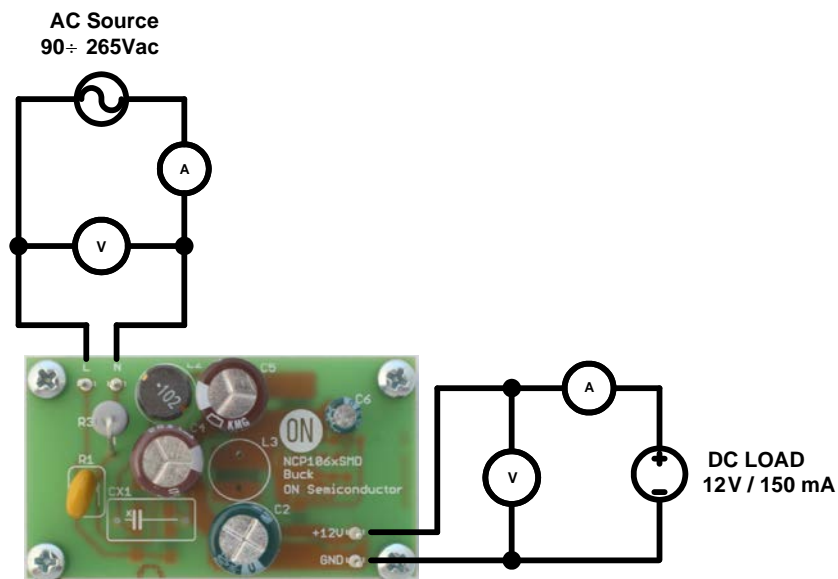


Figure 1: Test Setup for Buck Converter

Test Procedure (Buck converter):

1. **Connect the test setup as shown in Figure 1.**
2. **Apply an input voltage, $U_{in} = 90 - 265V_{ac}$**
3. **Apply $I_{out}(\text{load}) = 0A$**
4. **Check that U_{out} is no higher than 15V**
5. **Increate $I_{out}(\text{load})$ load to: 150 mA**
6. **Check that U_{out} is 12V**
7. **Power down the load**
8. **Power down U_{in}**
9. **End of test**