



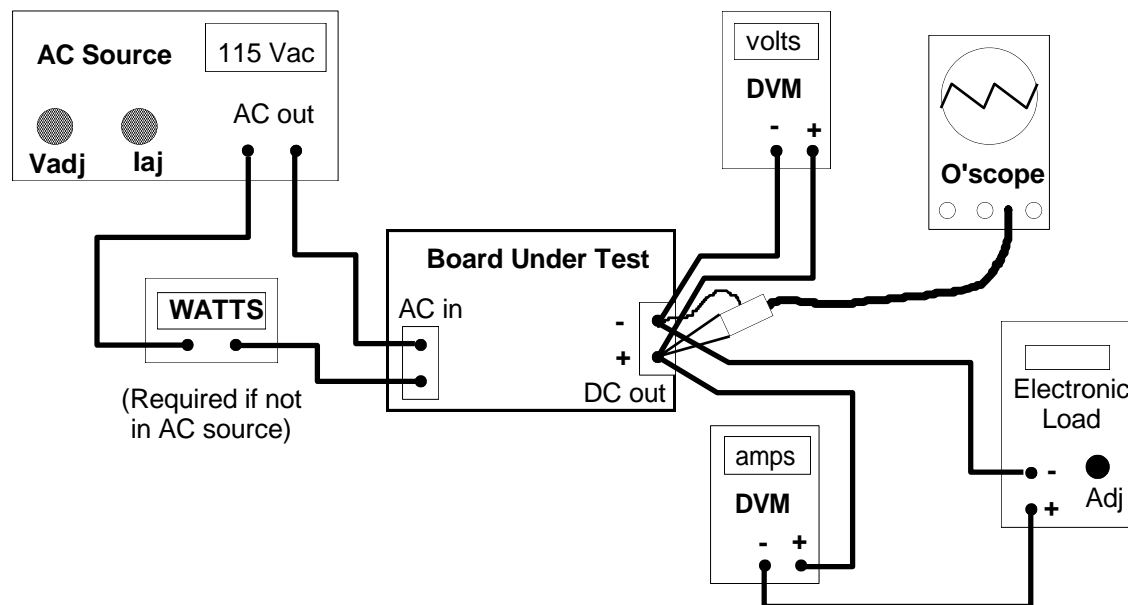
## Test Procedure for the NCP1072DIPGEVB Evaluation Board

Introduction: The NCP1072 EVAL demo board is a universal input, off-line, 6 watt output, constant voltage power supply for powering E-meters or white goods applications. The switching topology is a continuous mode flyback converter utilizing the ON Semi NCP1072 monolithic controller with internal MOSFET. The specific default demo board has an output rating of 12 volts at 0.5 amps max.

### Equipment Required:

1. Adjustable, isolated AC power source capable of zero to 265 Vac output up to 500 mA. AC source should have the capability of measuring input power in watts. If not, an AC line analyzer or AC wattmeter should be used. Wattmeter should be capable of reading down to 50 mW (for standby power measurements), and be able to use integration function to read the average input power at standby mode.
2. Digital volt/amp meters to measure output current and voltage to the electronic load.
3. A variable electronic load or rheostat capable of up to a 3 amp load. If an electronic load is used it is preferable to have a constant resistance load mode. The current meter on the electronic load can be used in lieu of a series, in-line ammeter.
4. Oscilloscope with probe to monitor output ripple on the demo converter.

Setup Procedure: Set the equipment as shown in the diagram below so that the output voltage and current to the demo board can be measured and the output ripple can be monitored.



Note: Indicated output polarity on above drawing of demo board may not correspond to actual demo board. Please note output polarity as marked on demo board.



### Test Procedure:

1. Switch the electronic load on and set to zero load; switch all of the digital meters on (assuming they are wired properly for voltage and current sensing); turn the oscilloscope on with sensing in AC mode and 100 mV per division vertical and a sweep rate of 5  $\mu$ s per division. Connect the scope probe to the demo board's output terminals.
2. With the AC source OFF, set the current limit on the AC source to 250 mA and the output voltage to 50 Vac.
3. Set the electronic load at 0.1 A. Turn on the AC source, and increase the ac voltage manually from 50 Vac upto 90 Vac. The power supply should be able to deliver 12 V output as the AC input voltage is under 90 Vac.
4. Turn on the AC source and set its voltage at 115 Vac. The power supply output voltage should be 12 Vdc + 0.3 V, - 0.2V on the DVM (11.8 to 12.3 V is default output voltage setup for this demo board).
5. Adjust the electronic load from no load slowly up to 0.5A (full load). The output voltage should remain within 120 mV (1%) of nominal if properly regulating. The output ripple (switching frequency) on the oscilloscope should be less than 150 mV peak-to-peak at full load. (Note – scope probe tip should be decoupled with a 0.1uF ceramic capacitor and ground wire should not be used to get best accuracy and max attenuation of switching noise pickup.)
6. Adjust the AC source down to 90 Vac and the power supply output should still be in spec. Return the AC source to 115 Vac.
7. While at full load, check the efficiency.  $Effic = (V_{out} \times I_{out})/P_{in}$ . It should be greater than 76%.
8. Continue to increase the load slowly and the over-current protection should kick in between 0.6 and 1.5 amps. This should result in a “hick-up” start-stop type of operation or a de-regulation of  $V_{out}$  below nominal.
9. Set the load back to 0.5 amps and the power supply should recover with proper output voltage.
10. Adjust the AC input to 230 Vac and repeat tests (3) through (8) with the exception of (6).
11. Change the AC source output to 265 Vac. Remove the cables connected to the electronic load and remove the probes. Check the input power (standby power). It should be below **60 mW** (note: use integration function of power meter to calculate the input power as the power supply is in skip mode).
12. Reconnect the cable to the electronic load with full load (0.5 A). The output voltage should be in the range of 12 V +0.3, -0.2 V. Switch the AC source off and disconnect the demo board.

End of Test.