

LDO Regulator - Ultra-Low I_Q, CMOS 150 mA

NCP170

The NCP170 series of CMOS low dropout regulators are designed specifically for portable battery-powered applications which require ultra-low quiescent current. The ultra-low consumption of typ. 500 nA ensures long battery life and dynamic transient boost feature improves device transient response for wireless communication applications. The device is available in small 1 × 1 mm XDFN4, SOT-563 and TSOP-5 packages.

Features

- Operating Input Voltage Range: 2.2 V to 5.5 V
- Output Voltage Range: 1.2 V to 3.6 V (0.1 V Steps)
- Ultra-Low Quiescent Current Typ. 0.5 μ A
- Low Dropout: 170 mV Typ. at 150 mA
- High Output Voltage Accuracy $\pm 1\%$
- Stable with Ceramic Capacitors 1 μ F
- Over-Current Protection
- Thermal Shutdown Protection
- NCP170A for Active Discharge Option
- Available in Small 1 × 1 mm XDFN4, SOT-563 and TSOP-5 Packages
- These Devices are Pb-Free, Halogen Free/BFR Free and are RoHS Compliant

Typical Applications

- Battery Powered Equipments
- Portable Communication Equipments
- Cameras, Image Sensors and Camcorders

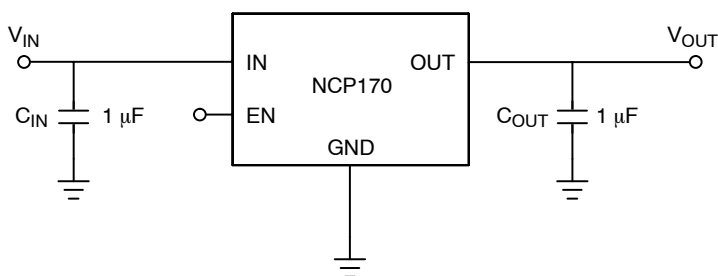


Figure 1. Typical Application Schematic

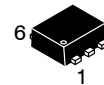


ON Semiconductor®

www.onsemi.com



XDFN4
MX SUFFIX
CASE 711AJ



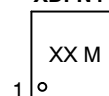
SOT-563
XV SUFFIX
CASE 463A



TSOP-5
SN SUFFIX
CASE 483

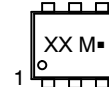
MARKING DIAGRAMS

XDFN4



XX = Specific Device Code
M = Date Code

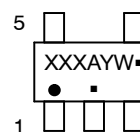
SOT-563



XX = Specific Device Code
M = Month Code
▪ = Pb-Free Package

*Pb-Free indicator, "G" or microdot "▪", may or may not be present.

TSOP-5



XXX = Specific Device Code
A = Assembly Location
Y = Year
W = Work Week
▪ = Pb-Free Package

(Note: Microdot may be in either location)

ORDERING INFORMATION

See detailed ordering, marking and shipping information on page 22 of this data sheet.

NCP170

PIN FUNCTION DESCRIPTION

| Pin No. XDFN4 | Pin No. SOT-563 | Pin No. TSOP-5 | Pin Name | Description |
|---------------|-----------------|----------------|----------|------------------------------|
| 4 | 1 | 1 | IN | Power Supply Input Voltage |
| 2 | 2 | 2 | GND | Power Supply Ground |
| 3 | 6 | 3 | EN | Chip Enable Pin (Active "H") |
| 1 | 3 | 5 | OUT | Output Pin |
| EPAD | - | - | EPAD | Internally Connected to GND |
| - | 4 | 4 | NC | No Connect |
| - | 5 | - | GND | Power Supply Ground |

ABSOLUTE MAXIMUM RATINGS

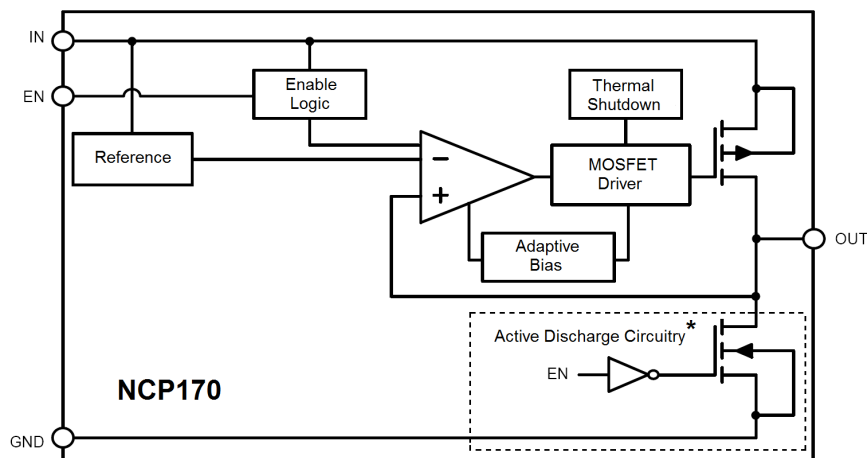
| Symbol | Rating | Value | Unit |
|--------------------|---|------------------------|------|
| V_{IN} | Input Voltage (Note 1) | 6.0 | V |
| V_{OUT} | Output Voltage | -0.3 to $V_{IN} + 0.3$ | V |
| V_{CE} | Chip Enable Input | -0.3 to 6.0 | V |
| $T_{J(MAX)}$ | Maximum Junction Temperature | 150 | °C |
| T_{STG} | Storage Temperature | -55 to 150 | °C |
| ESD _{HBM} | ESD Capability, Human Body Model (Note 2) | 2000 | V |
| ESD _{MM} | ESD Capability, Machine Model (Note 2) | 200 | V |

Stresses exceeding those listed in the Maximum Ratings table may damage the device. If any of these limits are exceeded, device functionality should not be assumed, damage may occur and reliability may be affected.

1. Refer to ELECTRICAL CHARACTERISTICS and APPLICATION INFORMATION for Safe Operating Area.
2. This device series incorporates ESD protection and is tested by the following methods:
 ESD Human Body Model tested per AEC-Q100-002 (EIA/JESD22-A114)
 ESD Machine Model tested per AEC-Q100-003 (EIA/JESD22-A115)
 Latchup Current Maximum Rating tested per JEDEC standard: JESD78

THERMAL CHARACTERISTICS

| Symbol | Rating | Value | Unit |
|-----------------|---|-------------------|------|
| $R_{\theta JA}$ | Thermal Characteristics, Thermal Resistance, Junction-to-Air XDFN4 1 × 1 mm SOT-563 TSOP-5 | 250 200 250 | °C/W |



* Active discharge feature is present only in NCP170AxxvvTyG devices.

Figure 2. Simplified Block Diagram

NCP170

ELECTRICAL CHARACTERISTICS – VOLTAGE VERSION 1.2 V

($-40^{\circ}\text{C} \leq T_J \leq 85^{\circ}\text{C}$; $V_{IN} = 2.5\text{ V}$; $I_{OUT} = 1\text{ mA}$, $C_{IN} = C_{OUT} = 1.0\text{ }\mu\text{F}$, unless otherwise noted. Typical values are at $T_A = +25^{\circ}\text{C}$.) (Note 3)

| Symbol | Parameter | Test Conditions | Min | Typ | Max | Unit |
|----------------------------|--|--|-------|------|-------|----------------------------|
| V_{IN} | Operating Input Voltage | | 2.2 | – | 5.5 | V |
| V_{OUT} | Output Voltage | $T_A = +25^{\circ}\text{C}$ | 1.188 | 1.2 | 1.212 | V |
| | | $-40^{\circ}\text{C} \leq T_J \leq 85^{\circ}\text{C}$ | 1.176 | 1.2 | 1.224 | |
| Line_{Reg} | Line Regulation | $2.5\text{ V} < V_{IN} \leq 5.5\text{ V}$, $I_{OUT} = 1\text{ mA}$ | – | 0.05 | 0.20 | %/V |
| Load_{Reg} | Load Regulation | $0\text{ mA} < I_{OUT} \leq 150\text{ mA}$, $V_{IN} = 2.5\text{ V}$ | –20 | 1 | 20 | mV |
| V_{DO} | Dropout Voltage | (Note 4) | – | – | – | mV |
| I_{OUT} | Output Current | (Note 5) | 150 | – | – | mA |
| I_{SC} | Short Circuit Current Limit | $V_{OUT} = 0\text{ V}$ | – | 225 | – | mA |
| I_Q | Quiescent Current | $I_{OUT} = 0\text{ mA}$ | – | 0.5 | 0.9 | μA |
| I_{STB} | Standby Current | $V_{EN} = 0\text{ V}$, $T_J = 25^{\circ}\text{C}$ | – | 0.1 | 0.5 | μA |
| V_{ENH} | EN Pin Threshold Voltage | EN Input Voltage “H” | 1.2 | – | – | V |
| V_{ENL} | EN Pin Threshold Voltage | EN Input Voltage “L” | – | – | 0.4 | V |
| I_{EN} | EN Pin Current | $V_{EN} \leq V_{IN} \leq 5.5\text{ V}$ (Note 6) | – | 10 | – | nA |
| PSRR | Power Supply Rejection Ratio | $f = 1\text{ kHz}$, $V_{IN} = 2.2\text{ V} + 200\text{ mVpp}$ Modulation $I_{OUT} = 150\text{ mA}$ $I_{OUT} = 10\text{ mA}$ | – | 57 | – | dB |
| | | | – | 63 | – | |
| V_{NOISE} | Output Noise Voltage | $V_{IN} = 5.5\text{ V}$, $I_{OUT} = 1\text{ mA}$, $f = 100\text{ Hz}$ to 1 MHz , $C_{OUT} = 1\text{ }\mu\text{F}$ | – | 85 | – | μV_{rms} |
| R_{LOW} | Active Output Discharge Resistance (A option only) | $V_{IN} = 5.5\text{ V}$, $V_{EN} = 0\text{ V}$ (Note 6) | – | 100 | – | Ω |
| T_{SD} | Thermal Shutdown Temperature | Temperature Increasing from $T_J = +25^{\circ}\text{C}$ (Note 6) | – | 175 | – | $^{\circ}\text{C}$ |
| T_{SDH} | Thermal Shutdown Hysteresis | Temperature Falling from T_{SD} (Note 6) | – | 25 | – | $^{\circ}\text{C}$ |

Product parametric performance is indicated in the Electrical Characteristics for the listed test conditions, unless otherwise noted. Product performance may not be indicated by the Electrical Characteristics if operated under different conditions.

3. Performance guaranteed over the indicated operating temperature range by design and/or characterization production tested at $T_J = T_A = 25^{\circ}\text{C}$. Low duty cycle pulse techniques are used during testing to maintain the junction temperature as close to ambient as possible.

4. Not Characterized at $V_{IN} = 2.2\text{ V}$, $V_{OUT} = 1.2\text{ V}$, $I_{OUT} = 150\text{ mA}$.

5. Respect SOA.

6. Guaranteed by design and characterization.

NCP170

ELECTRICAL CHARACTERISTICS – VOLTAGE VERSION 1.5 V

($-40^{\circ}\text{C} \leq T_J \leq 85^{\circ}\text{C}$; $V_{IN} = 2.5\text{ V}$; $I_{OUT} = 1\text{ mA}$, $C_{IN} = C_{OUT} = 1.0\text{ }\mu\text{F}$, unless otherwise noted. Typical values are at $T_A = +25^{\circ}\text{C}$.) (Note 7)

| Symbol | Parameter | Test Conditions | Min | Typ | Max | Unit |
|----------------------------|--|---|-------|------|-------|----------------------------|
| V_{IN} | Operating Input Voltage | | 2.2 | – | 5.5 | V |
| V_{OUT} | Output Voltage | $T_A = +25^{\circ}\text{C}$ | 1.485 | 1.5 | 1.515 | V |
| | | $-40^{\circ}\text{C} \leq T_J \leq 85^{\circ}\text{C}$ | 1.470 | 1.5 | 1.530 | |
| Line_{Reg} | Line Regulation | $4.3\text{ V} < V_{IN} \leq 5.5\text{ V}$, $I_{OUT} = 1\text{ mA}$ | – | 0.05 | 0.20 | %/V |
| Load_{Reg} | Load Regulation | $0\text{ mA} < I_{OUT} \leq 150\text{ mA}$, $V_{IN} = 4.3\text{ V}$ | –20 | – | 20 | mV |
| V_{DO} | Dropout Voltage | $I_{OUT} = 150\text{ mA}$ (Note 8) | – | – | – | mV |
| I_{OUT} | Output Current | (Note 9) | 150 | – | – | mA |
| I_{SC} | Short Circuit Current Limit | $V_{OUT} = 0\text{ V}$ | – | 225 | – | mA |
| I_Q | Quiescent Current | $I_{OUT} = 0\text{ mA}$ | – | 0.5 | 0.9 | μA |
| I_{STB} | Standby Current | $V_{EN} = 0\text{ V}$, $T_J = 25^{\circ}\text{C}$ | – | 0.1 | 0.5 | μA |
| V_{ENH} | EN Pin Threshold Voltage | EN Input Voltage “H” | 1.2 | – | – | V |
| V_{ENL} | EN Pin Threshold Voltage | EN Input Voltage “L” | – | – | 0.4 | V |
| I_{EN} | EN Pin Current | $V_{EN} \leq V_{IN} \leq 5.5\text{ V}$ (Note 10) | – | 10 | – | nA |
| PSRR | Power Supply Rejection Ratio | $f = 1\text{ kHz}$, $V_{IN} = 2.5\text{ V} + 200\text{ mVpp}$ Modulation $I_{OUT} = 150\text{ mA}$ | – | 57 | – | dB |
| V_{NOISE} | Output Noise Voltage | $V_{IN} = 5.5\text{ V}$, $I_{OUT} = 1\text{ mA}$, $f = 100\text{ Hz}$ to 1 MHz , $C_{OUT} = 1\text{ }\mu\text{F}$ | – | 90 | – | μV_{rms} |
| R_{LOW} | Active Output Discharge Resistance (A option only) | $V_{IN} = 5.5\text{ V}$, $V_{EN} = 0\text{ V}$ (Note 10) | – | 100 | – | Ω |
| T_{SD} | Thermal Shutdown Temperature | Temperature Increasing from $T_J = +25^{\circ}\text{C}$ (Note 10) | – | 175 | – | $^{\circ}\text{C}$ |
| T_{SDH} | Thermal Shutdown Hysteresis | Temperature Falling from T_{SD} (Note 10) | – | 25 | – | $^{\circ}\text{C}$ |

Product parametric performance is indicated in the Electrical Characteristics for the listed test conditions, unless otherwise noted. Product performance may not be indicated by the Electrical Characteristics if operated under different conditions.

7. Performance guaranteed over the indicated operating temperature range by design and/or characterization production tested at $T_J = T_A = 25^{\circ}\text{C}$. Low duty cycle pulse techniques are used during testing to maintain the junction temperature as close to ambient as possible.

8. Not Characterized at $V_{IN} = 2.2\text{ V}$, $V_{OUT} = 1.5\text{ V}$, $I_{OUT} = 150\text{ mA}$.

9. Respect SOA.

10. Guaranteed by design and characterization.

NCP170

ELECTRICAL CHARACTERISTICS – VOLTAGE VERSION 1.8 V

($-40^{\circ}\text{C} \leq T_J \leq 85^{\circ}\text{C}$; $V_{\text{IN}} = 2.8\text{ V}$; $I_{\text{OUT}} = 1\text{ mA}$, $C_{\text{IN}} = C_{\text{OUT}} = 1.0\text{ }\mu\text{F}$, unless otherwise noted. Typical values are at $T_A = +25^{\circ}\text{C}$.) (Note 11)

| Symbol | Parameter | Test Conditions | Min | Typ | Max | Unit |
|----------------------------|--|---|-------|------|-------|----------------------------|
| V_{IN} | Operating Input Voltage | | 2.2 | – | 5.5 | V |
| | | $I_{\text{OUT}} < 30\text{ mA}$ | 2.0 | – | 5.5 | |
| V_{OUT} | Output Voltage | $T_A = +25^{\circ}\text{C}$ | 1.782 | 1.8 | 1.818 | V |
| | | $-40^{\circ}\text{C} \leq T_J \leq 85^{\circ}\text{C}$ | 1.764 | 1.8 | 1.836 | |
| Line_{Reg} | Line Regulation | $2.8\text{ V} < V_{\text{IN}} \leq 5.5\text{ V}$, $I_{\text{OUT}} = 1\text{ mA}$ | – | 0.05 | 0.20 | %/V |
| Load_{Reg} | Load Regulation | $0\text{ mA} < I_{\text{OUT}} \leq 150\text{ mA}$, $V_{\text{IN}} = 2.8\text{ V}$ | –20 | 1 | 20 | mV |
| V_{DO} | Dropout Voltage | $I_{\text{OUT}} = 150\text{ mA}$ (Note 12) | – | 350 | 480 | mV |
| I_{OUT} | Output Current | (Note 13) | 150 | – | – | mA |
| I_{SC} | Short Circuit Current Limit | $V_{\text{OUT}} = 0\text{ V}$ | – | 225 | – | mA |
| I_{Q} | Quiescent Current | $I_{\text{OUT}} = 0\text{ mA}$ | – | 0.5 | 0.9 | μA |
| I_{STB} | Standby Current | $V_{\text{EN}} = 0\text{ V}$, $T_J = 25^{\circ}\text{C}$ | – | 0.1 | 0.5 | μA |
| V_{ENH} | EN Pin Threshold Voltage | EN Input Voltage “H” | 1.2 | – | – | V |
| V_{ENL} | EN Pin Threshold Voltage | EN Input Voltage “L” | – | – | 0.4 | V |
| I_{EN} | EN Pull Down Current | $V_{\text{EN}} \leq V_{\text{IN}} \leq 5.5\text{ V}$ (Note 14) | – | 10 | – | nA |
| PSRR | Power Supply Rejection Ratio | $f = 1\text{ kHz}$, $V_{\text{IN}} = 2.8\text{ V} + 200\text{ mVpp}$ Modulation $I_{\text{OUT}} = 150\text{ mA}$ | – | 57 | – | dB |
| V_{NOISE} | Output Noise Voltage | $V_{\text{IN}} = 5.5\text{ V}$, $I_{\text{OUT}} = 1\text{ mA}$ $f = 100\text{ Hz to } 1\text{ MHz}$, $C_{\text{OUT}} = 1\text{ }\mu\text{F}$ | – | 95 | – | μV_{rms} |
| R_{LOW} | Active Output Discharge Resistance (A option only) | $V_{\text{IN}} = 5.5\text{ V}$, $V_{\text{EN}} = 0\text{ V}$ (Note 14) | – | 100 | – | Ω |
| T_{SD} | Thermal Shutdown Temperature | Temperature Increasing from $T_J = +25^{\circ}\text{C}$ (Note 14) | – | 175 | – | $^{\circ}\text{C}$ |
| T_{SDH} | Thermal Shutdown Hysteresis | Temperature Falling from T_{SD} (Note 14) | – | 25 | – | $^{\circ}\text{C}$ |

Product parametric performance is indicated in the Electrical Characteristics for the listed test conditions, unless otherwise noted. Product performance may not be indicated by the Electrical Characteristics if operated under different conditions.

11. Performance guaranteed over the indicated operating temperature range by design and/or characterization production tested at

$T_J = T_A = 25^{\circ}\text{C}$. Low duty cycle pulse techniques are used during testing to maintain the junction temperature as close to ambient as possible.

12. Characterized when V_{OUT} falls 54 mV below the regulated voltage and only for devices with $V_{\text{OUT}} = 1.8\text{ V}$.

13. Respect SOA.

14. Guaranteed by design and characterization.

NCP170

ELECTRICAL CHARACTERISTICS – VOLTAGE VERSION 1.9 V

($-40^{\circ}\text{C} \leq T_J \leq 85^{\circ}\text{C}$; $V_{IN} = 2.9\text{ V}$; $I_{OUT} = 1\text{ mA}$, $C_{IN} = C_{OUT} = 1.0\ \mu\text{F}$, unless otherwise noted. Typical values are at $T_A = +25^{\circ}\text{C}$.) (Note 15)

| Symbol | Parameter | Test Conditions | Min | Typ | Max | Unit |
|----------------------------|--|---|-------|------|-------|----------------------------|
| V_{IN} | Operating Input Voltage | | 2.2 | – | 5.5 | V |
| V_{OUT} | Output Voltage | $T_A = +25^{\circ}\text{C}$ | 1.881 | 1.9 | 1.919 | V |
| | | $-40^{\circ}\text{C} \leq T_J \leq 85^{\circ}\text{C}$ | 1.862 | 1.9 | 1.938 | |
| Line_{Reg} | Line Regulation | $3.5\text{ V} < V_{IN} \leq 5.5\text{ V}$, $I_{OUT} = 1\text{ mA}$ | – | 0.05 | 0.20 | %/V |
| Load_{Reg} | Load Regulation | $0\text{ mA} < I_{OUT} \leq 150\text{ mA}$, $V_{IN} = 3.5\text{ V}$ | –20 | 1 | 20 | mV |
| V_{DO} | Dropout Voltage | $I_{OUT} = 150\text{ mA}$ (Note 16) | – | 335 | 460 | mV |
| I_{OUT} | Output Current | (Note 17) | 150 | – | – | mA |
| I_{SC} | Short Circuit Current Limit | $V_{OUT} = 0\text{ V}$ | – | 225 | – | mA |
| I_Q | Quiescent Current | $I_{OUT} = 0\text{ mA}$ | – | 0.5 | 0.9 | μA |
| I_{STB} | Standby Current | $V_{EN} = 0\text{ V}$, $T_J = 25^{\circ}\text{C}$ | – | 0.1 | 0.5 | μA |
| V_{ENH} | EN Pin Threshold Voltage | EN Input Voltage “H” | 1.2 | – | – | V |
| V_{ENL} | EN Pin Threshold Voltage | EN Input Voltage “L” | – | – | 0.4 | V |
| I_{EN} | EN Pull Down Current | $V_{EN} \leq V_{IN} \leq 5.5\text{ V}$ (Note 18) | – | 10 | – | nA |
| PSRR | Power Supply Rejection Ratio | $f = 1\text{ kHz}$, $V_{IN} = 3.5\text{ V} + 200\text{ mVpp}$ Modulation $I_{OUT} = 150\text{ mA}$ | – | 57 | – | dB |
| V_{NOISE} | Output Noise Voltage | $V_{IN} = 5.5\text{ V}$, $I_{OUT} = 1\text{ mA}$ $f = 100\text{ Hz}$ to 1 MHz , $C_{OUT} = 1\ \mu\text{F}$ | – | 100 | – | μV_{rms} |
| R_{LOW} | Active Output Discharge Resistance (A option only) | $V_{IN} = 5.5\text{ V}$, $V_{EN} = 0\text{ V}$ (Note 18) | – | 100 | – | Ω |
| T_{SD} | Thermal Shutdown Temperature | Temperature Increasing from $T_J = +25^{\circ}\text{C}$ (Note 18) | – | 175 | – | $^{\circ}\text{C}$ |
| T_{SDH} | Thermal Shutdown Hysteresis | Temperature Falling from T_{SD} (Note 18) | – | 25 | – | $^{\circ}\text{C}$ |

Product parametric performance is indicated in the Electrical Characteristics for the listed test conditions, unless otherwise noted. Product performance may not be indicated by the Electrical Characteristics if operated under different conditions.

15. Performance guaranteed over the indicated operating temperature range by design and/or characterization production tested at $T_J = T_A = 25^{\circ}\text{C}$. Low duty cycle pulse techniques are used during testing to maintain the junction temperature as close to ambient as possible.

16. Characterized when V_{OUT} falls 57 mV below the regulated voltage and only for devices with $V_{OUT} = 1.9\text{ V}$.

17. Respect SOA.

18. Guaranteed by design and characterization.

NCP170

ELECTRICAL CHARACTERISTICS – VOLTAGE VERSION 2.5 V

($-40^{\circ}\text{C} \leq T_J \leq 85^{\circ}\text{C}$; $V_{\text{IN}} = 3.5\text{ V}$; $I_{\text{OUT}} = 1\text{ mA}$, $C_{\text{IN}} = C_{\text{OUT}} = 1.0\text{ }\mu\text{F}$, unless otherwise noted. Typical values are at $T_A = +25^{\circ}\text{C}$.) (Note 19)

| Symbol | Parameter | Test Conditions | Min | Typ | Max | Unit |
|----------------------------|--|--|-------|------|-------|----------------------------|
| V_{IN} | Operating Input Voltage | | 2.2 | – | 5.5 | V |
| V_{OUT} | Output Voltage | $T_A = +25^{\circ}\text{C}$ | 2.475 | 2.5 | 2.525 | V |
| | | $-40^{\circ}\text{C} \leq T_J \leq 85^{\circ}\text{C}$ | 2.450 | 2.5 | 2.550 | |
| Line_{Reg} | Line Regulation | $3.5\text{ V} < V_{\text{IN}} \leq 5.5\text{ V}$, $I_{\text{OUT}} = 1\text{ mA}$ | – | 0.05 | 0.20 | %/V |
| Load_{Reg} | Load Regulation | $0\text{ mA} < I_{\text{OUT}} \leq 150\text{ mA}$, $V_{\text{IN}} = 3.5\text{ V}$ | –20 | 1 | 20 | mV |
| V_{DO} | Dropout Voltage | $I_{\text{OUT}} = 150\text{ mA}$ (Note 20) | – | 240 | 330 | mV |
| I_{OUT} | Output Current | (Note 21) | 150 | – | – | mA |
| I_{SC} | Short Circuit Current Limit | $V_{\text{OUT}} = 0\text{ V}$ | – | 225 | – | mA |
| I_{Q} | Quiescent Current | $I_{\text{OUT}} = 0\text{ mA}$ | – | 0.5 | 0.9 | μA |
| I_{STB} | Standby Current | $V_{\text{EN}} = 0\text{ V}$, $T_J = 25^{\circ}\text{C}$ | – | 0.1 | 0.5 | μA |
| V_{ENH} | EN Pin Threshold Voltage | EN Input Voltage “H” | 1.2 | – | – | V |
| V_{ENL} | EN Pin Threshold Voltage | EN Input Voltage “L” | – | – | 0.4 | V |
| I_{EN} | EN Pull Down Current | $V_{\text{EN}} \leq V_{\text{IN}} \leq 5.5\text{ V}$ (Note 22) | – | 10 | – | nA |
| PSRR | Power Supply Rejection Ratio | $f = 1\text{ kHz}$, $V_{\text{IN}} = 3.5\text{ V} + 200\text{ mVpp}$ Modulation $I_{\text{OUT}} = 150\text{ mA}$ | – | 57 | – | dB |
| V_{NOISE} | Output Noise Voltage | $V_{\text{IN}} = 5.5\text{ V}$, $I_{\text{OUT}} = 1\text{ mA}$ $f = 100\text{ Hz}$ to 1 MHz , $C_{\text{OUT}} = 1\text{ }\mu\text{F}$ | – | 125 | – | μV_{rms} |
| R_{LOW} | Active Output Discharge Resistance (A option only) | $V_{\text{IN}} = 5.5\text{ V}$, $V_{\text{EN}} = 0\text{ V}$ (Note 22) | – | 100 | – | Ω |
| T_{SD} | Thermal Shutdown Temperature | Temperature Increasing from $T_J = +25^{\circ}\text{C}$ (Note 22) | – | 175 | – | $^{\circ}\text{C}$ |
| T_{SDH} | Thermal Shutdown Hysteresis | Temperature Falling from T_{SD} (Note 22) | – | 25 | – | $^{\circ}\text{C}$ |

Product parametric performance is indicated in the Electrical Characteristics for the listed test conditions, unless otherwise noted. Product performance may not be indicated by the Electrical Characteristics if operated under different conditions.

19. Performance guaranteed over the indicated operating temperature range by design and/or characterization production tested at $T_J = T_A = 25^{\circ}\text{C}$. Low duty cycle pulse techniques are used during testing to maintain the junction temperature as close to ambient as possible.

20. Characterized when V_{OUT} falls 75 mV below the regulated voltage and only for devices with $V_{\text{OUT}} = 2.5\text{ V}$.

21. Respect SOA.

22. Guaranteed by design and characterization.

NCP170

ELECTRICAL CHARACTERISTICS – VOLTAGE VERSION 2.8 V

($-40^{\circ}\text{C} \leq T_J \leq 85^{\circ}\text{C}$; $V_{IN} = 3.8\text{ V}$; $I_{OUT} = 1\text{ mA}$, $C_{IN} = C_{OUT} = 1.0\text{ }\mu\text{F}$, unless otherwise noted. Typical values are at $T_A = +25^{\circ}\text{C}$.) (Note 23)

| Symbol | Parameter | Test Conditions | Min | Typ | Max | Unit |
|----------------------------|--|---|-------|------|-------|----------------------------|
| V_{IN} | Operating Input Voltage | | 2.2 | – | 5.5 | V |
| V_{OUT} | Output Voltage | $T_A = +25^{\circ}\text{C}$ | 2.772 | 2.8 | 2.828 | V |
| | | $-40^{\circ}\text{C} \leq T_J \leq 85^{\circ}\text{C}$ | 2.744 | 2.8 | 2.856 | |
| Line_{Reg} | Line Regulation | $3.8\text{ V} < V_{IN} \leq 5.5\text{ V}$, $I_{OUT} = 1\text{ mA}$ | – | 0.05 | 0.20 | %/V |
| Load_{Reg} | Load Regulation | $0\text{ mA} < I_{OUT} \leq 150\text{ mA}$, $V_{IN} = 3.8\text{ V}$ | –20 | 1 | 20 | mV |
| V_{DO} | Dropout Voltage | $I_{OUT} = 150\text{ mA}$ (Note 24) | – | 210 | 300 | mV |
| I_{OUT} | Output Current | (Note 25) | 150 | – | – | mA |
| I_{SC} | Short Circuit Current Limit | $V_{OUT} = 0\text{ V}$ | – | 195 | – | mA |
| I_Q | Quiescent Current | $I_{OUT} = 0\text{ mA}$ | – | 0.5 | 0.9 | μA |
| I_{STB} | Standby Current | $V_{EN} = 0\text{ V}$, $T_J = 25^{\circ}\text{C}$ | – | 0.1 | 0.5 | μA |
| V_{ENH} | EN Pin Threshold Voltage | EN Input Voltage “H” | 1.2 | – | – | V |
| V_{ENL} | EN Pin Threshold Voltage | EN Input Voltage “L” | – | – | 0.4 | V |
| I_{EN} | EN Pull Down Current | $V_{EN} \leq V_{IN} \leq 5.5\text{ V}$ (Note 26) | – | 10 | – | nA |
| PSRR | Power Supply Rejection Ratio | $f = 1\text{ kHz}$, $V_{IN} = 3.8\text{ V} + 200\text{ mVpp}$ Modulation $I_{OUT} = 150\text{ mA}$ | – | 40 | – | dB |
| V_{NOISE} | Output Noise Voltage | $V_{IN} = 5.5\text{ V}$, $I_{OUT} = 1\text{ mA}$ $f = 100\text{ Hz}$ to 1 MHz , $C_{OUT} = 1\text{ }\mu\text{F}$ | – | 125 | – | μV_{rms} |
| R_{LOW} | Active Output Discharge Resistance (A option only) | $V_{IN} = 5.5\text{ V}$, $V_{EN} = 0\text{ V}$ (Note 26) | – | 100 | – | Ω |
| T_{SD} | Thermal Shutdown Temperature | Temperature Increasing from $T_J = +25^{\circ}\text{C}$ (Note 26) | – | 175 | – | $^{\circ}\text{C}$ |
| T_{SDH} | Thermal Shutdown Hysteresis | Temperature Falling from T_{SD} (Note 26) | – | 25 | – | $^{\circ}\text{C}$ |

Product parametric performance is indicated in the Electrical Characteristics for the listed test conditions, unless otherwise noted. Product performance may not be indicated by the Electrical Characteristics if operated under different conditions.

23. Performance guaranteed over the indicated operating temperature range by design and/or characterization production tested at $T_J = T_A = 25^{\circ}\text{C}$. Low duty cycle pulse techniques are used during testing to maintain the junction temperature as close to ambient as possible.

24. Characterized when V_{OUT} falls 84 mV below the regulated voltage and only for devices with $V_{OUT} = 2.8\text{ V}$.

25. Respect SOA.

26. Guaranteed by design and characterization.

NCP170

ELECTRICAL CHARACTERISTICS – VOLTAGE VERSION 3.0 V

($-40^{\circ}\text{C} \leq T_J \leq 85^{\circ}\text{C}$; $V_{\text{IN}} = 4.0\text{ V}$; $I_{\text{OUT}} = 1\text{ mA}$, $C_{\text{IN}} = C_{\text{OUT}} = 1.0\text{ }\mu\text{F}$, unless otherwise noted. Typical values are at $T_A = +25^{\circ}\text{C}$.) (Note 27)

| Symbol | Parameter | Test Conditions | Min | Typ | Max | Unit |
|----------------------------|--|--|------|------|------|----------------------------|
| V_{IN} | Operating Input Voltage | | 2.2 | – | 5.5 | V |
| V_{OUT} | Output Voltage | $T_A = +25^{\circ}\text{C}$ | 2.97 | 3.0 | 3.03 | V |
| | | $-40^{\circ}\text{C} \leq T_J \leq 85^{\circ}\text{C}$ | 2.94 | 3.0 | 3.06 | |
| Line_{Reg} | Line Regulation | $4.0\text{ V} < V_{\text{IN}} \leq 5.5\text{ V}$, $I_{\text{OUT}} = 1\text{ mA}$ | – | 0.05 | 0.20 | %/V |
| Load_{Reg} | Load Regulation | $0\text{ mA} < I_{\text{OUT}} \leq 150\text{ mA}$, $V_{\text{IN}} = 4\text{ V}$ | –20 | 1 | 20 | mV |
| V_{DO} | Dropout Voltage | $I_{\text{OUT}} = 150\text{ mA}$ (Note 28) | – | 190 | 260 | mV |
| I_{OUT} | Output Current | (Note 29) | 150 | – | – | mA |
| I_{SC} | Short Circuit Current Limit | $V_{\text{OUT}} = 0\text{ V}$ | – | 195 | – | mA |
| I_{Q} | Quiescent Current | $I_{\text{OUT}} = 0\text{ mA}$ | – | 0.5 | 0.9 | μA |
| I_{STB} | Standby Current | $V_{\text{EN}} = 0\text{ V}$, $T_J = 25^{\circ}\text{C}$ | – | 0.1 | 0.5 | μA |
| V_{ENH} | EN Pin Threshold Voltage | EN Input Voltage “H” | 1.2 | – | – | V |
| V_{ENL} | EN Pin Threshold Voltage | EN Input Voltage “L” | – | – | 0.4 | V |
| I_{EN} | EN Pull Down Current | $V_{\text{EN}} \leq V_{\text{IN}} \leq 5.5\text{ V}$ (Note 30) | – | 10 | – | nA |
| PSRR | Power Supply Rejection Ratio | $f = 1\text{ kHz}$, $V_{\text{IN}} = 4.0\text{ V} + 200\text{ mVpp}$ Modulation $I_{\text{OUT}} = 150\text{ mA}$ | – | 47 | – | dB |
| V_{NOISE} | Output Noise Voltage | $V_{\text{IN}} = 5.5\text{ V}$, $I_{\text{OUT}} = 1\text{ mA}$ $f = 100\text{ Hz}$ to 1 MHz , $C_{\text{OUT}} = 1\text{ }\mu\text{F}$ | – | 120 | – | μV_{rms} |
| R_{LOW} | Active Output Discharge Resistance (A option only) | $V_{\text{IN}} = 5.5\text{ V}$, $V_{\text{EN}} = 0\text{ V}$ (Note 30) | – | 100 | – | Ω |
| T_{SD} | Thermal Shutdown Temperature | Temperature Increasing from $T_J = +25^{\circ}\text{C}$ (Note 30) | – | 175 | – | $^{\circ}\text{C}$ |
| T_{SDH} | Thermal Shutdown Hysteresis | Temperature Falling from T_{SD} (Note 30) | – | 25 | – | $^{\circ}\text{C}$ |

Product parametric performance is indicated in the Electrical Characteristics for the listed test conditions, unless otherwise noted. Product performance may not be indicated by the Electrical Characteristics if operated under different conditions.

27. Performance guaranteed over the indicated operating temperature range by design and/or characterization production tested at

$T_J = T_A = 25^{\circ}\text{C}$. Low duty cycle pulse techniques are used during testing to maintain the junction temperature as close to ambient as possible.

28. Characterized when V_{OUT} falls 90 mV below the regulated voltage and only for devices with $V_{\text{OUT}} = 3.0\text{ V}$.

29. Respect SOA.

30. Guaranteed by design and characterization.

NCP170

ELECTRICAL CHARACTERISTICS – VOLTAGE VERSION 3.3 V

($-40^{\circ}\text{C} \leq T_J \leq 85^{\circ}\text{C}$; $V_{IN} = 4.3\text{ V}$; $I_{OUT} = 1\text{ mA}$, $C_{IN} = C_{OUT} = 1.0\ \mu\text{F}$, unless otherwise noted. Typical values are at $T_A = +25^{\circ}\text{C}$.) (Note 31)

| Symbol | Parameter | Test Conditions | Min | Typ | Max | Unit |
|----------------------------|--|---|-------|------|-------|----------------------------|
| V_{IN} | Operating Input Voltage | | 2.2 | – | 5.5 | V |
| V_{OUT} | Output Voltage | $T_A = +25^{\circ}\text{C}$ | 3.267 | 3.3 | 3.333 | V |
| | | $-40^{\circ}\text{C} \leq T_J \leq 85^{\circ}\text{C}$ | 3.234 | 3.3 | 3.366 | |
| Line_{Reg} | Line Regulation | $4.3\text{ V} < V_{IN} \leq 5.5\text{ V}$, $I_{OUT} = 1\text{ mA}$ | – | 0.05 | 0.20 | %/V |
| Load_{Reg} | Load Regulation | $0\text{ mA} < I_{OUT} \leq 150\text{ mA}$, $V_{IN} = 4.3\text{ V}$ | –20 | 1 | 20 | mV |
| V_{DO} | Dropout Voltage | $I_{OUT} = 150\text{ mA}$ (Note 32) | – | 180 | 250 | mV |
| I_{OUT} | Output Current | (Note 33) | 150 | – | – | mA |
| I_{SC} | Short Circuit Current Limit | $V_{OUT} = 0\text{ V}$ | – | 195 | – | mA |
| I_Q | Quiescent Current | $I_{OUT} = 0\text{ mA}$ | – | 0.5 | 0.9 | μA |
| I_{STB} | Standby Current | $V_{EN} = 0\text{ V}$, $T_J = 25^{\circ}\text{C}$ | – | 0.1 | 0.5 | μA |
| V_{ENH} | EN Pin Threshold Voltage | EN Input Voltage “H” | 1.2 | – | – | V |
| V_{ENL} | EN Pin Threshold Voltage | EN Input Voltage “L” | – | – | 0.4 | V |
| I_{EN} | EN Pull Down Current | $V_{EN} \leq V_{IN} \leq 5.5\text{ V}$ (Note 34) | – | 10 | – | nA |
| PSRR | Power Supply Rejection Ratio | $f = 1\text{ kHz}$, $V_{IN} = 4.3\text{ V} + 200\text{ mVpp}$ Modulation $I_{OUT} = 150\text{ mA}$ | – | 41 | – | dB |
| V_{NOISE} | Output Noise Voltage | $V_{IN} = 5.5\text{ V}$, $I_{OUT} = 1\text{ mA}$ $f = 100\text{ Hz}$ to 1 MHz , $C_{OUT} = 1\ \mu\text{F}$ | – | 125 | – | μV_{rms} |
| R_{LOW} | Active Output Discharge Resistance (A option only) | $V_{IN} = 5.5\text{ V}$, $V_{EN} = 0\text{ V}$ (Note 34) | – | 100 | – | Ω |
| T_{SD} | Thermal Shutdown Temperature | Temperature Increasing from $T_J = +25^{\circ}\text{C}$ (Note 34) | – | 175 | – | $^{\circ}\text{C}$ |
| T_{SDH} | Thermal Shutdown Hysteresis | Temperature Falling from T_{SD} (Note 34) | – | 25 | – | $^{\circ}\text{C}$ |

Product parametric performance is indicated in the Electrical Characteristics for the listed test conditions, unless otherwise noted. Product performance may not be indicated by the Electrical Characteristics if operated under different conditions.

31. Performance guaranteed over the indicated operating temperature range by design and/or characterization production tested at

$T_J = T_A = 25^{\circ}\text{C}$. Low duty cycle pulse techniques are used during testing to maintain the junction temperature as close to ambient as possible.

32. Characterized when V_{OUT} falls 99 mV below the regulated voltage and only for devices with $V_{OUT} = 3.3\text{ V}$.

33. Respect SOA.

34. Guaranteed by design and characterization.

NCP170

ELECTRICAL CHARACTERISTICS – VOLTAGE VERSION 3.6 V

($-40^{\circ}\text{C} \leq T_J \leq 85^{\circ}\text{C}$; $V_{IN} = 4.6\text{ V}$; $I_{OUT} = 1\text{ mA}$, $C_{IN} = C_{OUT} = 1.0\text{ }\mu\text{F}$, unless otherwise noted. Typical values are at $T_A = +25^{\circ}\text{C}$.) (Note 35)

| Symbol | Parameter | Test Conditions | Min | Typ | Max | Unit |
|------------------|--|---|-------|------|-------|---------------------|
| V_{IN} | Operating Input Voltage | | 2.2 | – | 5.5 | V |
| V_{OUT} | Output Voltage | $T_A = +25^{\circ}\text{C}$ | 3.564 | 3.6 | 3.636 | V |
| | | $-40^{\circ}\text{C} \leq T_J \leq 85^{\circ}\text{C}$ | 3.528 | 3.6 | 3.672 | |
| LineReg | Line Regulation | $4.6\text{ V} < V_{IN} \leq 5.5\text{ V}$, $I_{OUT} = 1\text{ mA}$ | – | 0.05 | 0.20 | %/V |
| LoadReg | Load Regulation | $0\text{ mA} < I_{OUT} \leq 150\text{ mA}$, $V_{IN} = 4.6\text{ V}$ | –20 | 1 | 20 | mV |
| V_{DO} | Dropout Voltage | $I_{OUT} = 150\text{ mA}$ (Note 36) | – | 170 | 240 | mV |
| I_{OUT} | Output Current | (Note 37) | 150 | – | – | mA |
| I_{SC} | Short Circuit Current Limit | $V_{OUT} = 0\text{ V}$ | – | 195 | – | mA |
| I_Q | Quiescent Current | $I_{OUT} = 0\text{ mA}$ | – | 0.5 | 0.9 | μA |
| I_{STB} | Standby Current | $V_{EN} = 0\text{ V}$, $T_J = 25^{\circ}\text{C}$ | – | 0.1 | 0.5 | μA |
| V_{ENH} | EN Pin Threshold Voltage | EN Input Voltage “H” | 1.2 | – | – | V |
| V_{ENL} | EN Pin Threshold Voltage | EN Input Voltage “L” | – | – | 0.4 | V |
| I_{EN} | EN Pull Down Current | $V_{EN} \leq V_{IN} \leq 5.5\text{ V}$ (Note 38) | – | 10 | – | nA |
| PSRR | Power Supply Rejection Ratio | $f = 1\text{ kHz}$, $V_{IN} = 4.6\text{ V} + 200\text{ mVpp}$ Modulation $I_{OUT} = 150\text{ mA}$ | – | 30 | – | dB |
| V_{NOISE} | Output Noise Voltage | $V_{IN} = 5.5\text{ V}$, $I_{OUT} = 1\text{ mA}$ $f = 100\text{ Hz}$ to 1 MHz , $C_{OUT} = 1\text{ }\mu\text{F}$ | – | 130 | – | μV_{rms} |
| R_{LOW} | Active Output Discharge Resistance (A option only) | $V_{IN} = 5.5\text{ V}$, $V_{EN} = 0\text{ V}$ (Note 34) | – | 100 | – | |
| T_{SD} | Thermal Shutdown Temperature | Temperature Increasing from $T_J = +25^{\circ}\text{C}$ (Note 38) | – | 175 | – | $^{\circ}\text{C}$ |
| T_{SDH} | Thermal Shutdown Hysteresis | Temperature Falling from T_{SD} (Note 38) | – | 25 | – | $^{\circ}\text{C}$ |

Product parametric performance is indicated in the Electrical Characteristics for the listed test conditions, unless otherwise noted. Product performance may not be indicated by the Electrical Characteristics if operated under different conditions.

35. Performance guaranteed over the indicated operating temperature range by design and/or characterization production tested at $T_J = T_A = 25^{\circ}\text{C}$. Low duty cycle pulse techniques are used during testing to maintain the junction temperature as close to ambient as possible.

36. Characterized when V_{OUT} falls 108 mV below the regulated voltage and only for devices with $V_{OUT} = 3.6\text{ V}$.

37. Respect SOA.

38. Guaranteed by design and characterization.

NCP170

TYPICAL CHARACTERISTICS

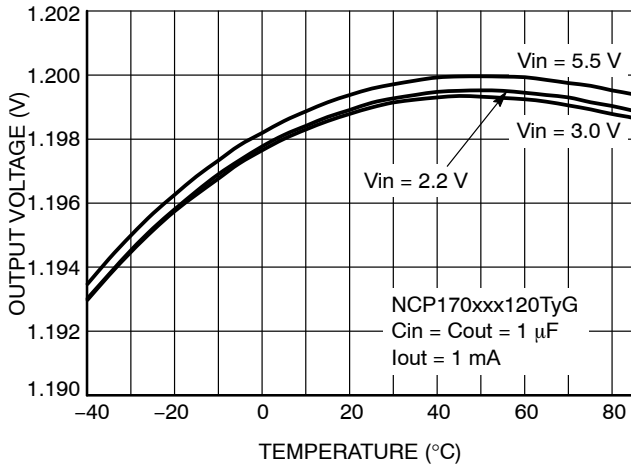


Figure 3. Output Voltage vs. Temperature, Vout = 1.2 V

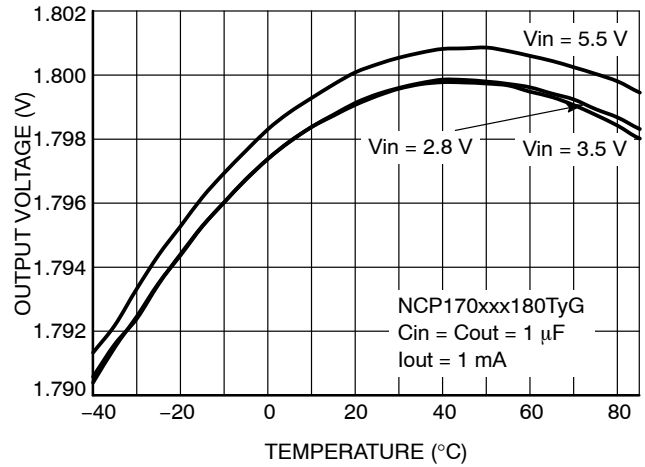


Figure 4. Output Voltage vs. Temperature, Vout = 1.8 V

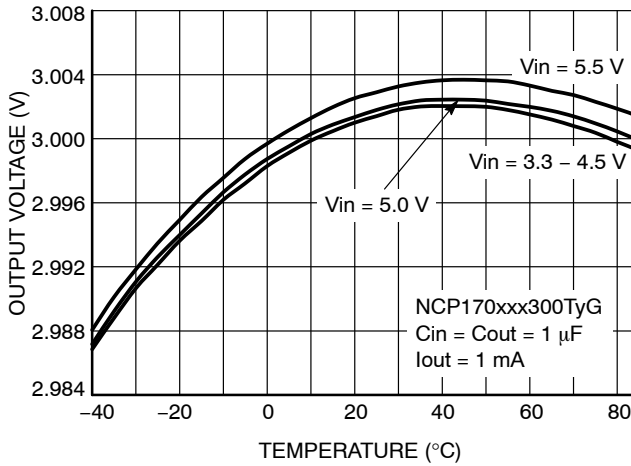


Figure 5. Output Voltage vs. Temperature, Vout = 3.0 V

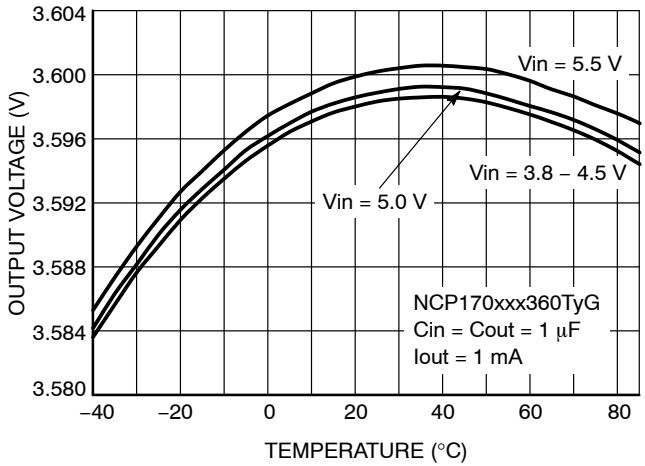


Figure 6. Output Voltage vs. Temperature, Vout = 3.6 V

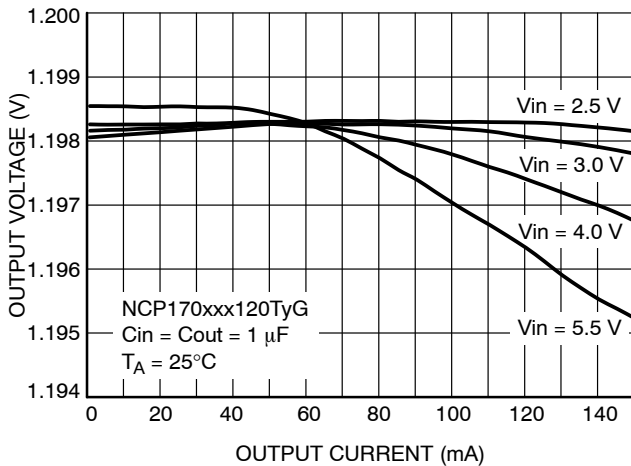


Figure 7. Output Voltage vs. Output Current, Vout = 1.2 V

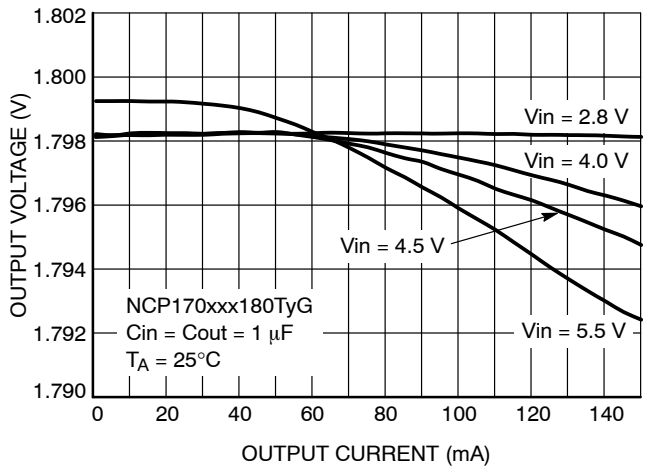


Figure 8. Output Voltage vs. Output Current, Vout = 1.8 V

NCP170

TYPICAL CHARACTERISTICS

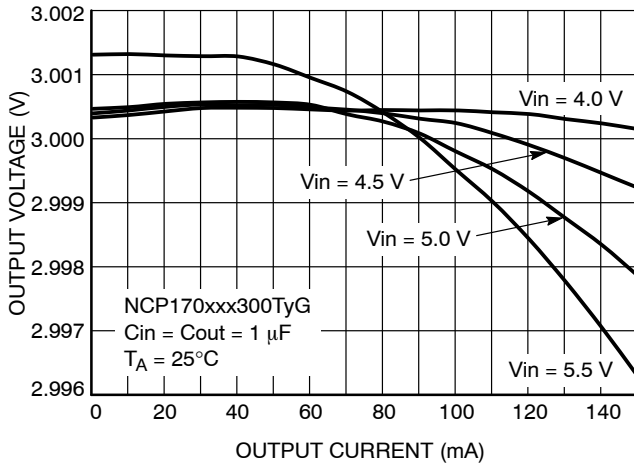


Figure 9. Output Voltage vs. Output Current, Vout = 3.0 V

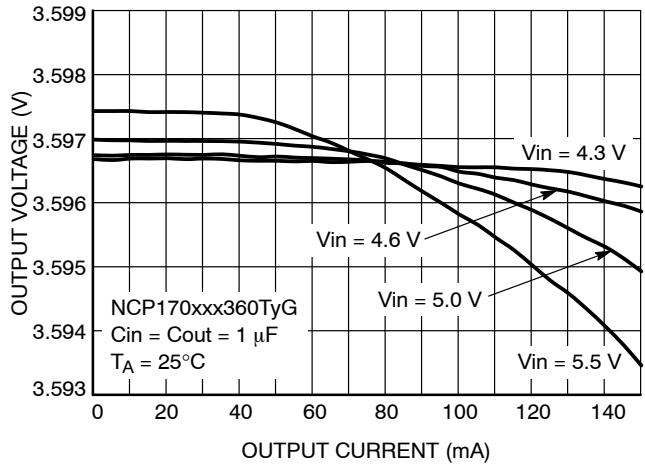


Figure 10. Output Voltage vs. Output Current, Vout = 3.6 V

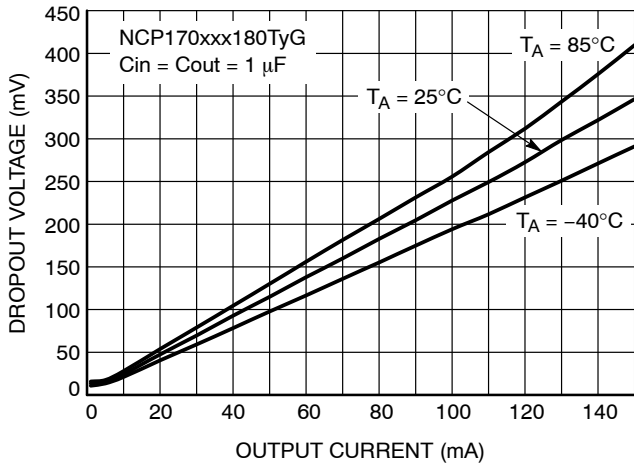


Figure 11. Dropout Voltage vs. Output Current, Vout = 1.8 V

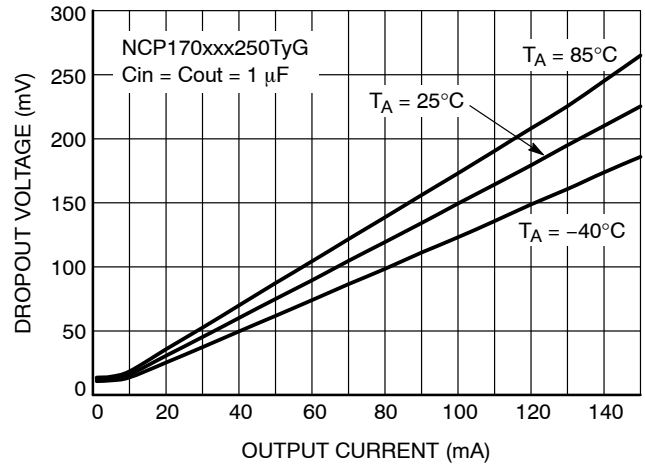


Figure 12. Dropout Voltage vs. Output Current, Vout = 2.5 V

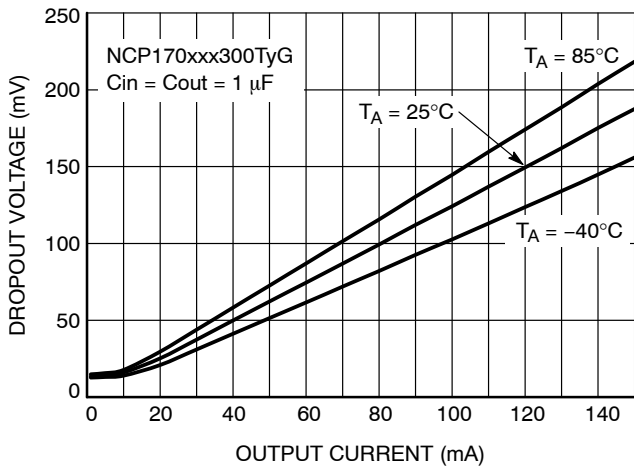


Figure 13. Dropout Voltage vs. Output Current, Vout = 3.0 V

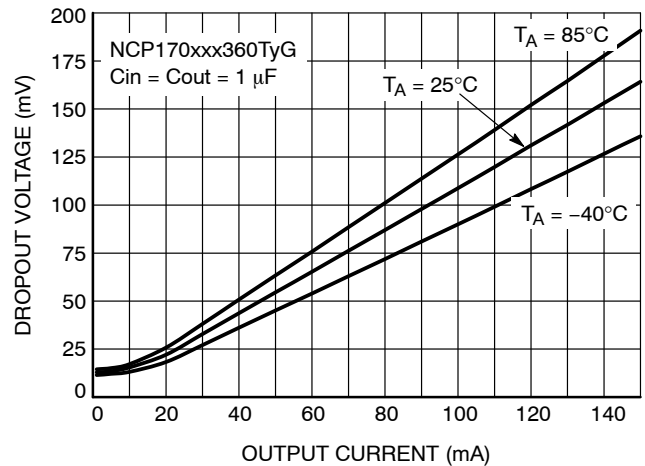


Figure 14. Dropout Voltage vs. Output Current, Vout = 3.6 V

NCP170

TYPICAL CHARACTERISTICS

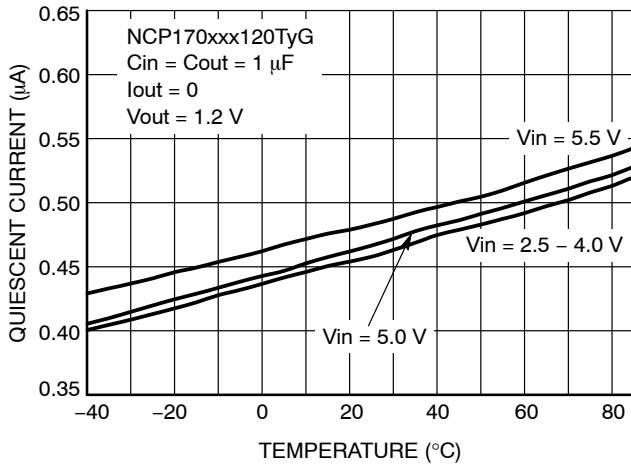


Figure 15. Quiescent Current vs. Temperature, Vout = 1.2 V

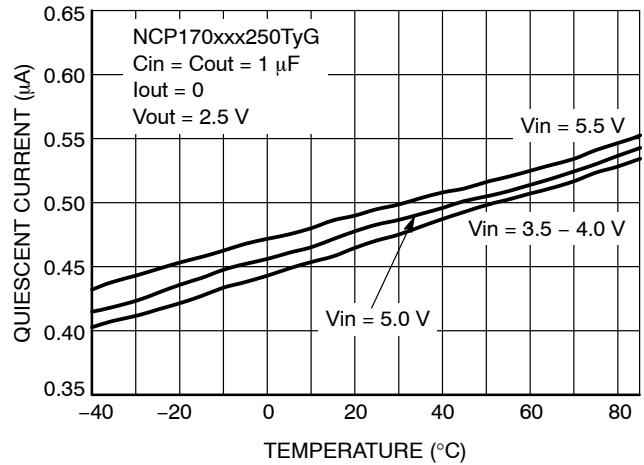


Figure 16. Quiescent Current vs. Temperature, Vout = 2.5 V

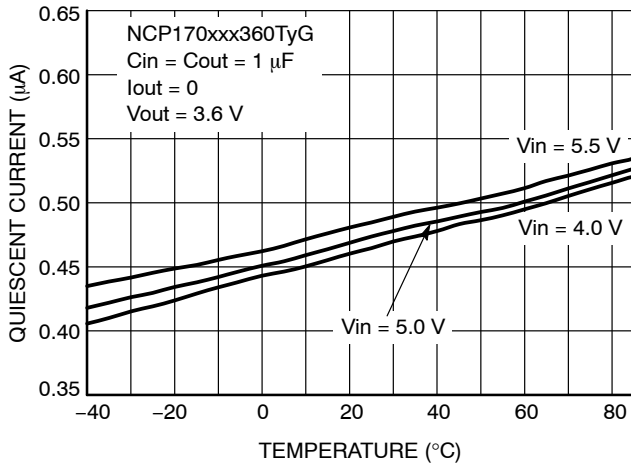


Figure 17. Quiescent Current vs. Temperature, Vout = 3.6 V

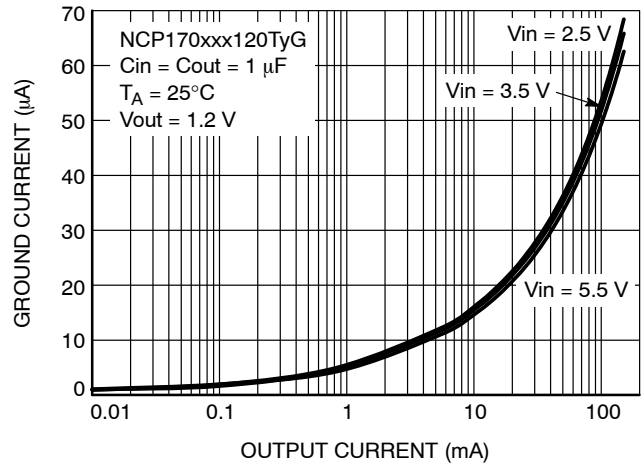


Figure 18. Ground Current vs. Output Current, Vout = 1.2 V

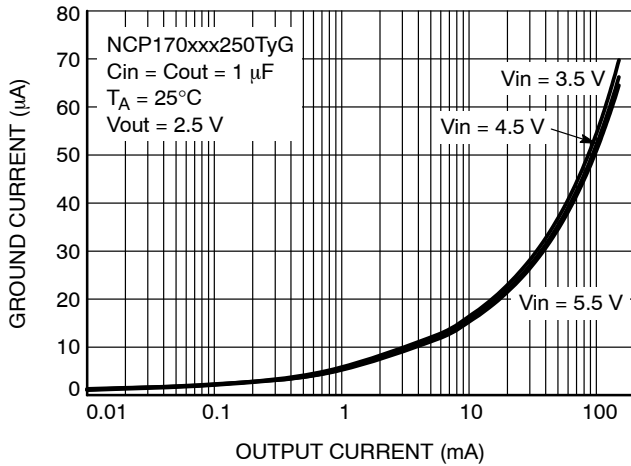


Figure 19. Ground Current vs. Output Current, Vout = 2.5 V

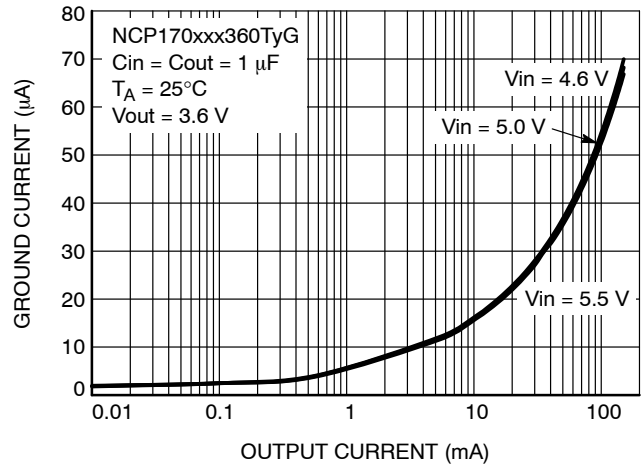


Figure 20. Ground Current vs. Output Current, Vout = 3.6 V

NCP170

TYPICAL CHARACTERISTICS

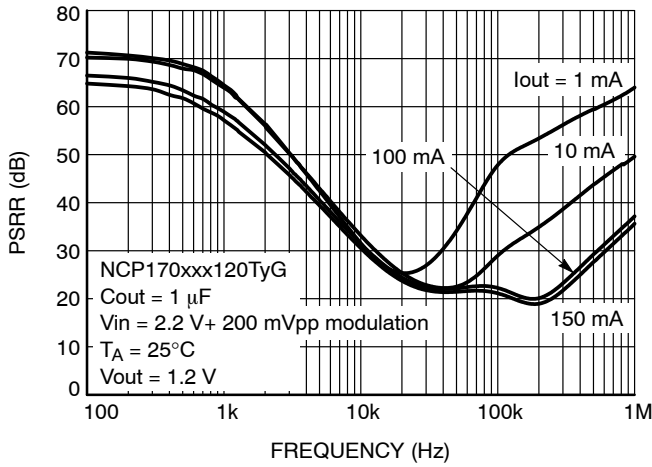


Figure 21. PSRR vs. Frequency, Vout = 1.2 V

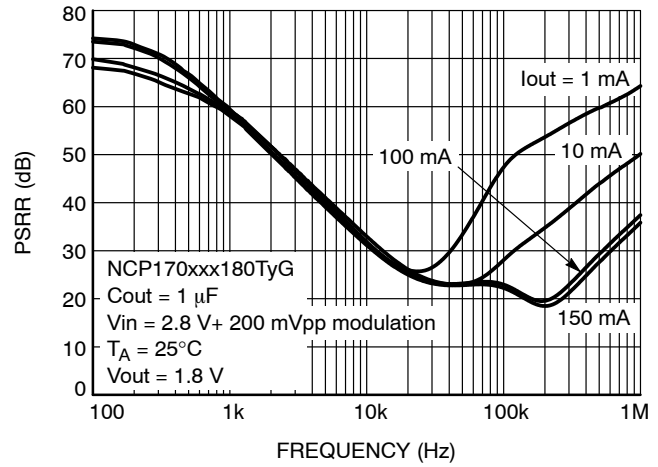


Figure 22. PSRR vs. Frequency, Vout = 1.8 V

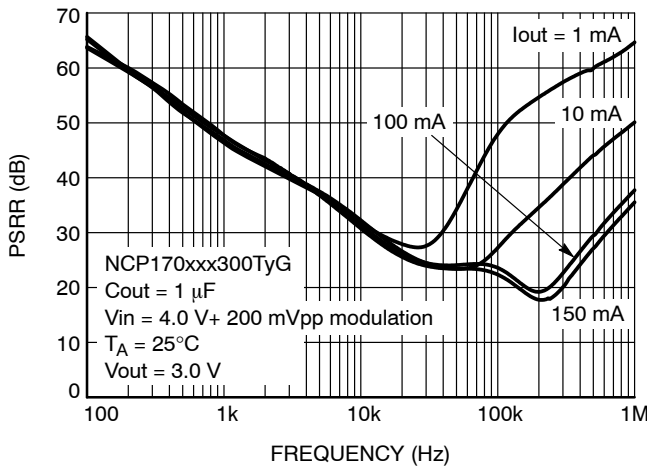


Figure 23. PSRR vs. Frequency, Vout = 3.0 V

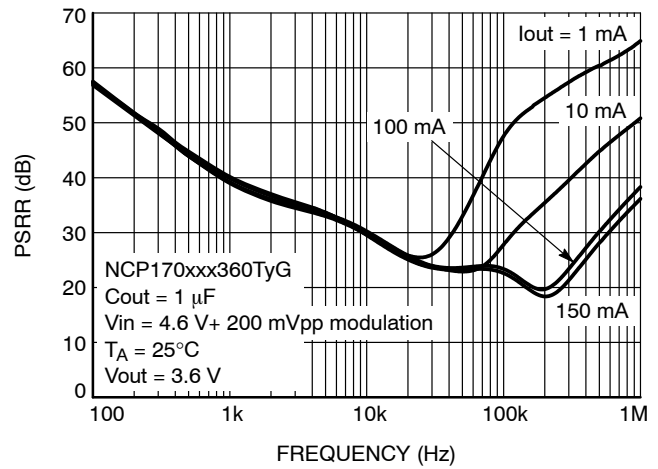


Figure 24. PSRR vs. Frequency, Vout = 3.6 V

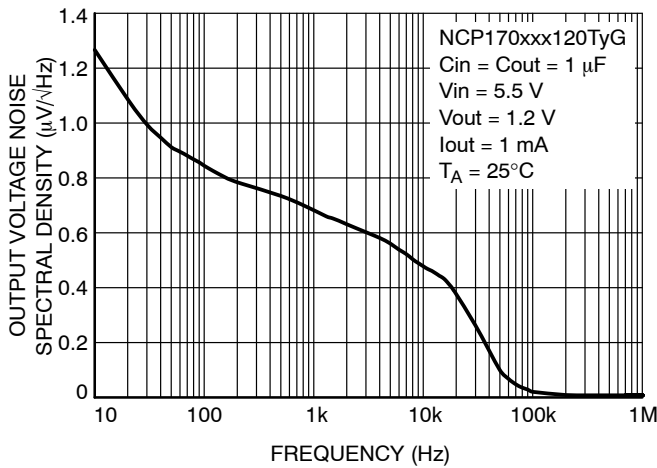


Figure 25. Output Voltage Noise Spectral Density, Vout = 1.2 V

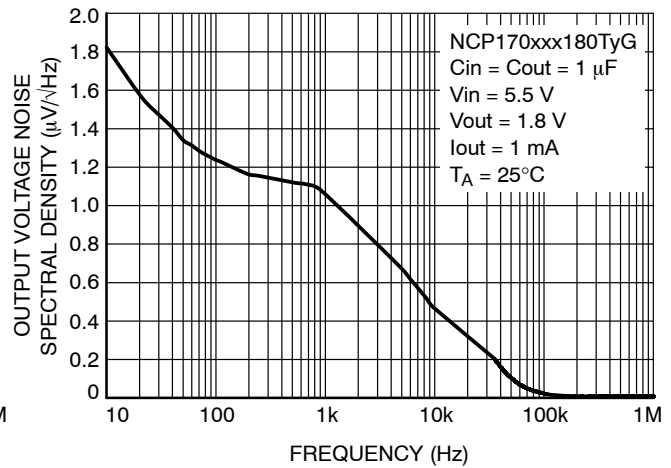


Figure 26. Output Voltage Noise Spectral Density, Vout = 1.8 V

NCP170

TYPICAL CHARACTERISTICS

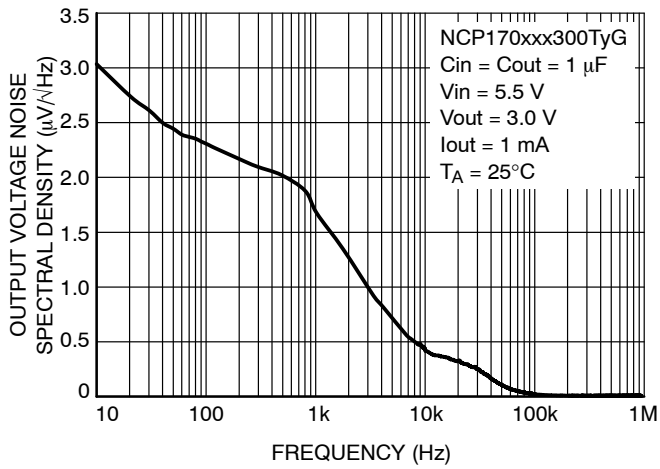


Figure 27. Output Voltage Noise Spectral Density, $V_{out} = 3.0 \text{ V}$

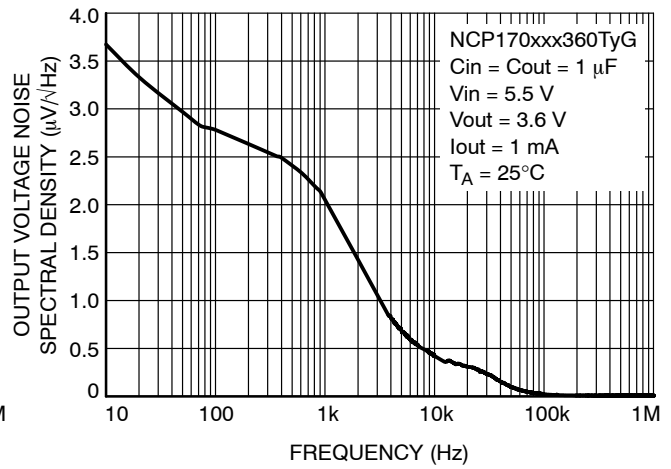


Figure 28. Output Voltage Noise Spectral Density, $V_{out} = 3.6 \text{ V}$

NCP170

TYPICAL CHARACTERISTICS

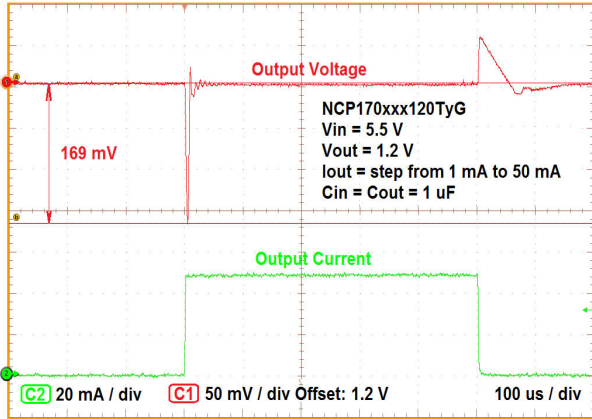


Figure 29. Load Transient Response at Load Step from 1 mA to 50 mA, Vout = 1.2 V

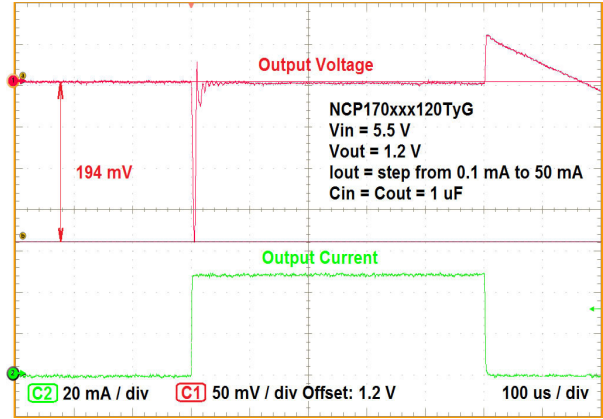


Figure 30. Load Transient Response at Load Step from 0.1 mA to 50 mA, Vout = 1.2 V

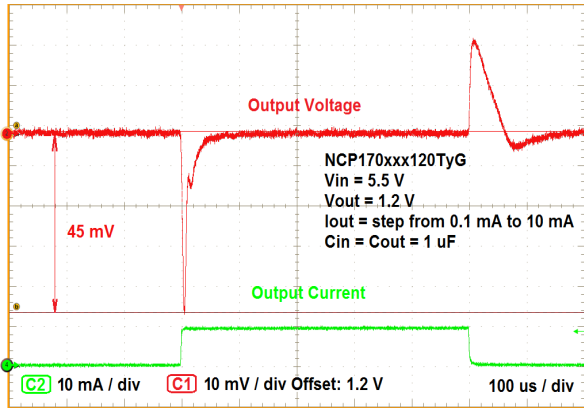


Figure 31. Load Transient Response at Load Step from 0.1 mA to 10 mA, Vout = 1.2 V

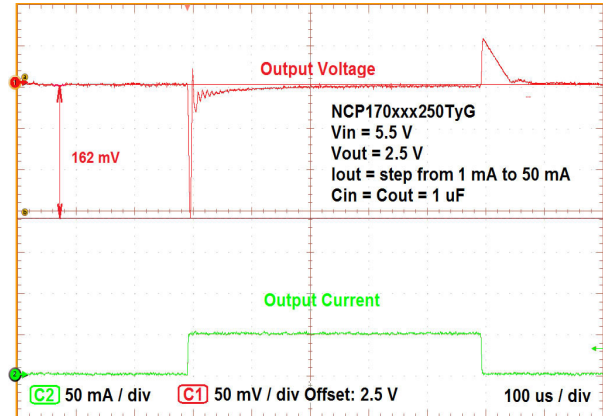


Figure 32. Load Transient Response at Load Step from 1 mA to 50 mA, Vout = 2.5 V

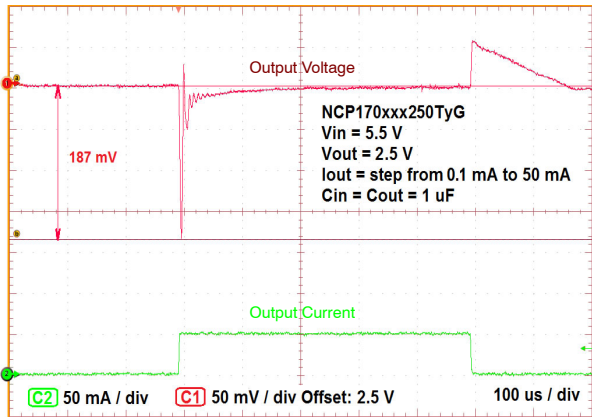


Figure 33. Load Transient Response at Load Step from 0.1 mA to 50 mA, Vout = 2.5 V

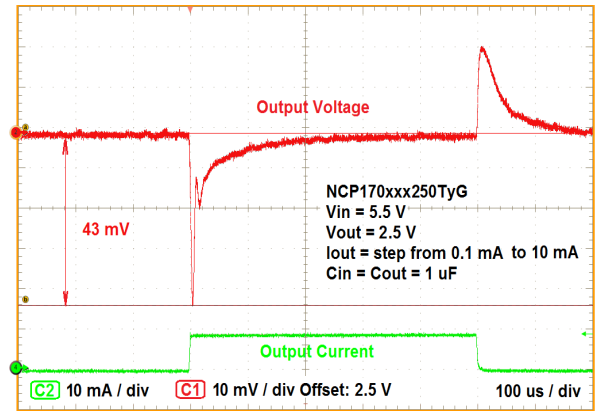


Figure 34. Load Transient Response at Load Step from 0.1 mA to 10 mA, Vout = 2.5 V

NCP170

TYPICAL CHARACTERISTICS

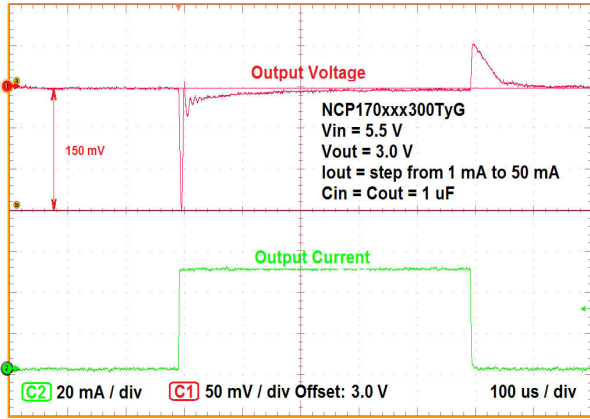


Figure 35. Load Transient Response at Load Step from 1mA to 50 mA, Vout= 3.0 V

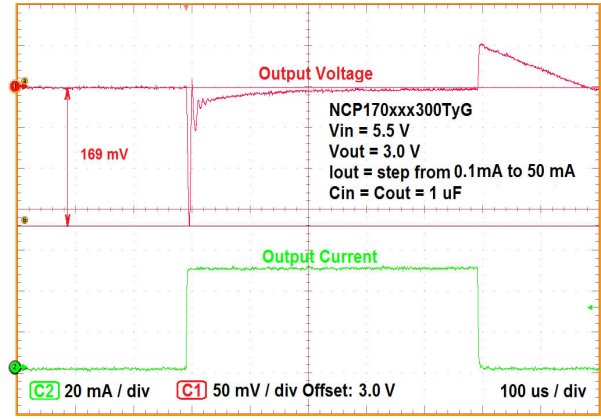


Figure 36. Load Transient Response at Load Step from 0.1 mA to 50 mA, Vout = 3.0 V

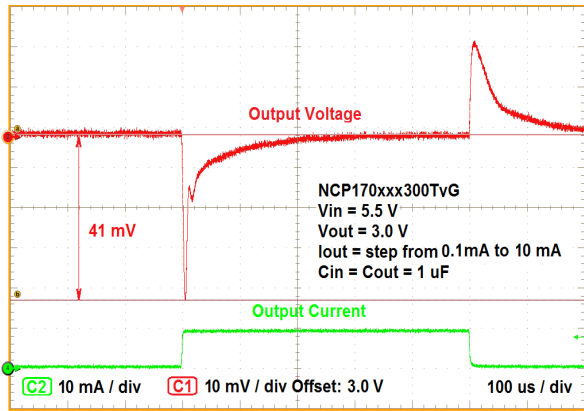


Figure 37. Load Transient Response at Load Step from 0.1 mA to 10 mA, Vout = 3.0 V

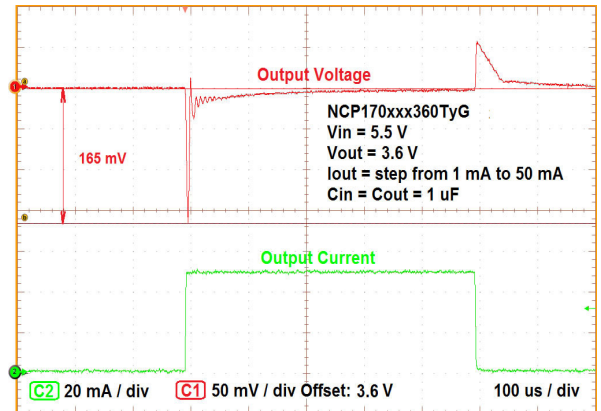


Figure 38. Load Transient Response at Load Step from 1 mA to 50 mA, Vout = 3.6 V

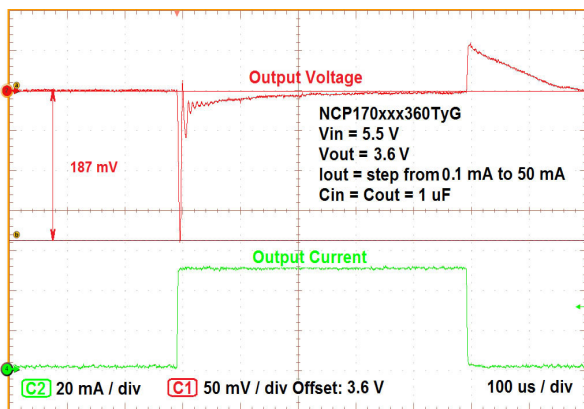


Figure 39. Load Transient Response at Load Step from 0.1 mA to 50 mA, Vout = 3.6 V

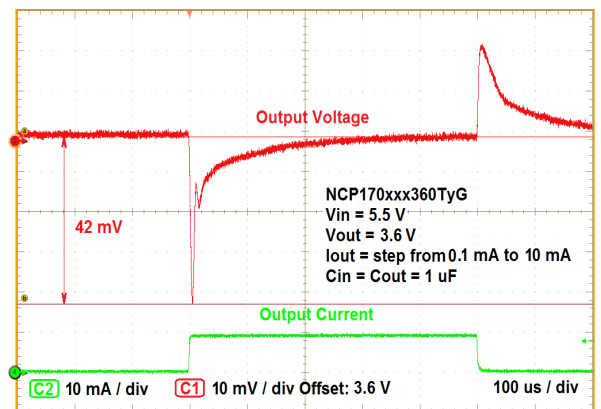


Figure 40. Load Transient Response at Load Step from 0.1 mA to 10 mA, Vout = 3.6 V

NCP170

TYPICAL CHARACTERISTICS

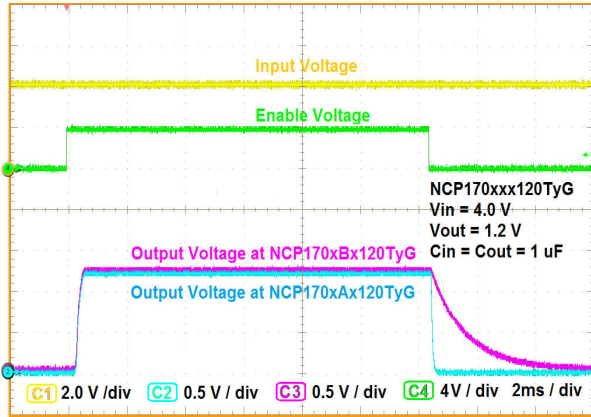


Figure 41. Output Voltage with and without Active Discharge Feature, Vout = 1.2 V

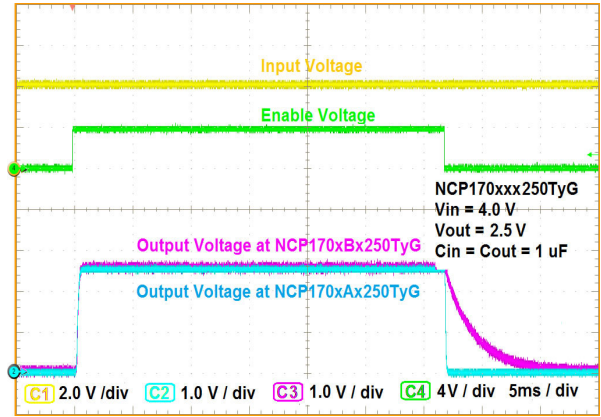


Figure 42. Output Voltage with and without Active Discharge Feature, Vout = 2.5 V

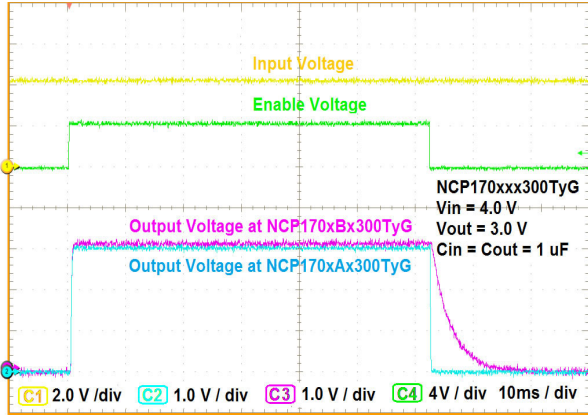


Figure 43. Output Voltage with and without Active Discharge Feature, Vout = 3.0 V

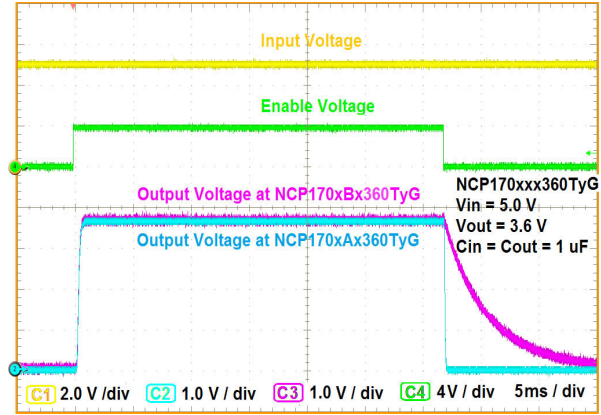


Figure 44. Output Voltage with and without Active Discharge Feature, Vout = 3.6 V

NCP170

TYPICAL CHARACTERISTICS

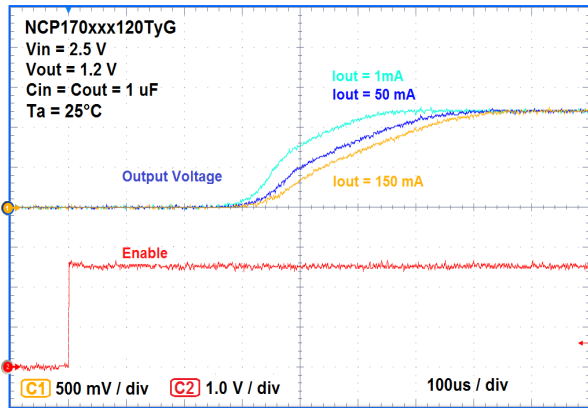


Figure 45. Enable Turn-on Response at Vout = 1.2 V

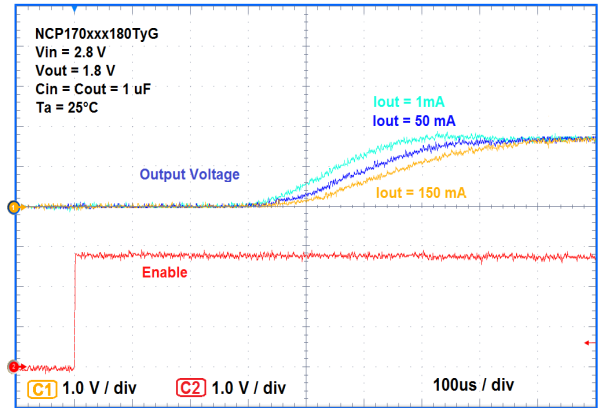


Figure 46. Enable Turn-on Response at Vout = 1.8 V

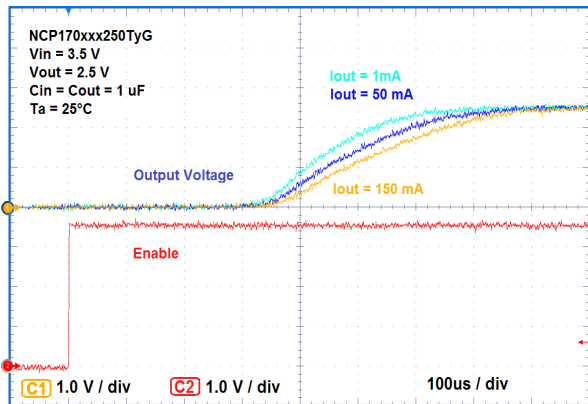


Figure 47. Enable Turn-on Response at Vout = 2.5 V

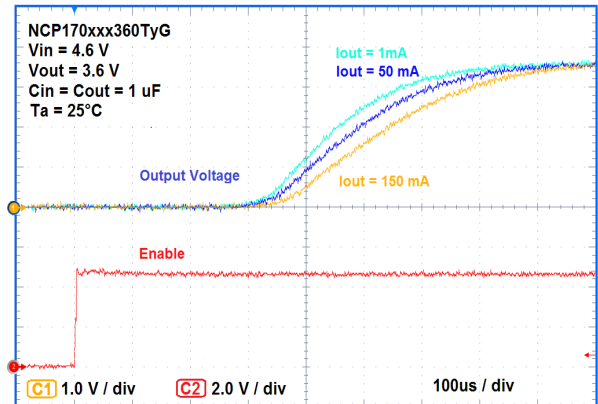


Figure 48. Enable Turn-on Response at Vout = 3.6 V

APPLICATIONS INFORMATION

General

The NCP170 is a high performance 150 mA Linear Regulator with Ultra Low IQ. This device delivers low Noise and high Power Supply Rejection Ratio with excellent dynamic performance due to employing the Dynamic Quiescent Current adjustment which assure ultra low I_Q consumption at no – load state. These parameters make this device very suitable for various battery powered applications.

Input Decoupling (C_{IN})

It is recommended to connect at least a 1 μ F Ceramic X5R or X7R capacitor between IN and GND pins of the device. This capacitor will provide a low impedance path for any unwanted AC signals or Noise superimposed onto constant Input Voltage. The good input capacitor will limit the influence of input trace inductances and source resistance during sudden load current changes.

Higher capacitance and lower ESR Capacitors will improve the overall line transient response.

Output Decoupling (C_{OUT})

The NCP170 does not require a minimum Equivalent Series Resistance (ESR) for the output capacitor. The device is designed to be stable with standard ceramics capacitors with values of 1.0 μ F or greater up to 10 μ F. The X5R and X7R types have the lowest capacitance variations over temperature thus they are recommended. There is recommended connect the output capacitor as close as possible to the output pin of the regulator.

Enable Operation

The NCP170 uses the EN pin to enable /disable its device and to activate /deactivate the active discharge function at devices with this feature. If the EN pin voltage is pulled below 0.4 V the device is guaranteed to be disable. The active discharge transistor at the devices with Active Discharge Feature is activated and the output voltage V_{OUT} is pulled to GND through an internal circuitry with effective resistance about 100 ohms.

If the EN pin voltage is higher than 1.2 V the device is guaranteed to be enabled. The internal active discharge circuitry is switched off and the desired output voltage is

available at output pin. In case the Enable function is not required the EN pin should be connected directly to input pin.

Thermal Shutdown

When the die temperature exceeds the Thermal Shutdown point ($T_{SD} = 175^\circ\text{C}$ typical) the device goes to disabled state and the output voltage is not delivered until the die temperature decreases to 150°C . The Thermal Shutdown feature provides a protection from a catastrophic device failure at accidental overheating. This protection is not intended to be used as a substitute for proper heat sinking.

Power Dissipation and Heat sinking

The maximum power dissipation supported by the device is dependent upon board design and layout. Mounting pad configuration on the PCB, the board material, and the ambient temperature affect the rate of junction temperature rise for the part. For reliable operation, junction temperature should be limited to $+125^\circ\text{C}$. The maximum power dissipation the NCP170 device can handle is given by:

$$P_{D(MAX)} = \frac{[T_{J(MAX)} - T_A]}{R_{\theta JA}} \quad (\text{eq. 1})$$

The power dissipated by the NCP170 device for given application conditions can be calculated from the following equations:

$$P_D \approx V_{IN}(I_{GND}(I_{OUT})) + I_{OUT}(V_{IN} - V_{OUT}) \quad (\text{eq. 2})$$

or

$$V_{IN(MAX)} \approx \frac{P_{D(MAX)} + (V_{OUT} \times I_{OUT})}{I_{OUT} + I_{GND}} \quad (\text{eq. 3})$$

Hints

V_{IN} and GND printed circuit board traces should be as wide as possible. When the impedance of these traces is high, there is a chance to pick up noise or cause the regulator to malfunction. Place external components, especially the output capacitor, as close as possible to the NCP170, and make traces as short as possible.

NCP170

ORDERING INFORMATION

| Device | Nominal Output Voltage | Marking | Active Discharge | Package | Shipping [†] |
|-----------------|------------------------|---------|------------------|------------------------------|-----------------------|
| NCP170AMX120TCG | 1.2 | AC | Yes | XDFN4 1.0 × 1.0 (Pb-Free) | 3000 / Tape & Reel |
| NCP170AMX129TCG | 1.29 | AV | | | |
| NCP170AMX135TCG | 1.35 | AP | | | |
| NCP170AMX150TCG | 1.5 | AJ | | | |
| NCP170AMX170TCG | 1.7 | AT | | | |
| NCP170AMX180TBG | 1.8 | AD | | | |
| NCP170AMX180TCG | 1.8 | AD | | | |
| NCP170AMX190TCG | 1.9 | AL | | | |
| NCP170AMX250TCG | 2.5 | AE | | | |
| NCP170AMX280TBG | 2.8 | AF | | | |
| NCP170AMX280TCG | 2.8 | AF | | | |
| NCP170AMX285TCG | 2.85 | AK | | | |
| NCP170AMX300TBG | 3.0 | AA | | | |
| NCP170AMX300TCG | 3.0 | AA | | | |
| NCP170AMX310TCG | 3.1 | AN | | | |
| NCP170AMX320TCG | 3.2 | AQ | | | |
| NCP170AMX330TBG | 3.3 | AG | | | |
| NCP170AMX330TCG | 3.3 | AG | | | |
| NCP170AMX360TCG | 3.6 | AM | | | |
| NCP170BMX120TCG | 1.2 | 2C | | | |
| NCP170BMX135TCG | 1.35 | 2P | | | |
| NCP170BMX150TCG | 1.5 | 2J | | | |
| NCP170BMX170TCG | 1.7 | 2T | | | |
| NCP170BMX180TCG | 1.8 | 2D | | | |
| NCP170BMX190TCG | 1.9 | 2L | | | |
| NCP170BMX250TCG | 2.5 | 2E | | | |
| NCP170BMX280TCG | 2.8 | 2F | | | |
| NCP170BMX285TCG | 2.85 | 2K | | | |
| NCP170BMX300TCG | 3.0 | 2A | | | |
| NCP170BMX310TCG | 3.1 | 2N | | | |
| NCP170BMX320TCG | 3.2 | 2Q | | | |
| NCP170BMX330TCG | 3.3 | 2G | | | |
| NCP170BMX360TCG | 3.6 | 2M | | | |

NCP170

ORDERING INFORMATION

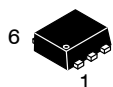
| Device | Nominal Output Voltage | Marking | Active Discharge | Package | Shipping [†] |
|-----------------|------------------------|---------|------------------|----------------------|--|
| NCP170AXV120T2G | 1.2 | AC | Yes | SOT-563 (Pb-Free) | 4000 / Tape & Reel (Available Soon) |
| NCP170AXV135T2G | 1.35 | AL | | | |
| NCP170AXV150T2G | 1.5 | AJ | | | |
| NCP170AXV180T2G | 1.8 | AD | | | |
| NCP170AXV190T2G | 1.9 | AM | | | |
| NCP170AXV210T2G | 2.1 | AK | | | |
| NCP170AXV250T2G | 2.5 | AE | | | |
| NCP170AXV280T2G | 2.8 | AF | | | |
| NCP170AXV300T2G | 3.0 | AA | | | |
| NCP170AXV310T2G | 3.1 | AN | | | |
| NCP170AXV330T2G | 3.3 | AH | | | |
| NCP170AXV360T2G | 3.6 | AG | | | |
| NCP170BXV120T2G | 1.2 | 2C | | | |
| NCP170BXV135T2G | 1.35 | 2L | | | |
| NCP170BXV150T2G | 1.5 | 2J | | | |
| NCP170BXV180T2G | 1.8 | 2D | | | |
| NCP170BXV190T2G | 1.9 | 2M | | | |
| NCP170BXV250T2G | 2.5 | 2E | | | |
| NCP170BXV280T2G | 2.8 | 2F | | | |
| NCP170BXV300T2G | 3.0 | 2A | | | |
| NCP170BXV310T2G | 3.1 | 2N | | | |
| NCP170BXV330T2G | 3.3 | 2H | | | |
| NCP170ASN120T2G | 1.2 | GCG | Yes | | |
| NCP170ASN129T2G | 1.29 | GCJ | | | |
| NCP170ASN150T2G | 1.5 | GCH | | | |
| NCP170ASN180T2G | 1.8 | GCF | | | |
| NCP170ASN250T2G | 2.5 | GCE | | | |
| NCP170ASN280T2G | 2.8 | GCA | | | |
| NCP170ASN300T2G | 3.0 | GCC | | | |
| NCP170ASN330T2G | 3.3 | GCD | | | |

[†]For information on tape and reel specifications, including part orientation and tape sizes, please refer to our Tape and Reel Packaging Specifications Brochure, BRD8011/D.

MECHANICAL CASE OUTLINE

PACKAGE DIMENSIONS

ON Semiconductor®



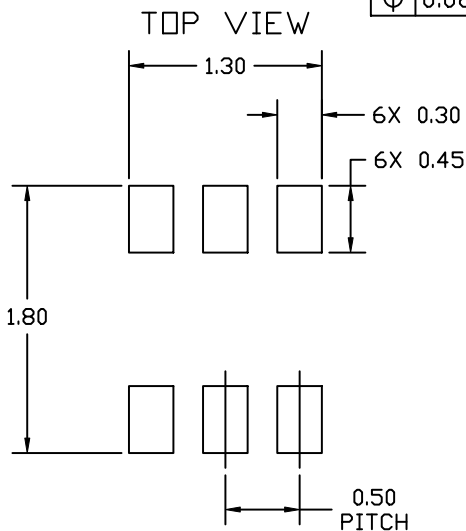
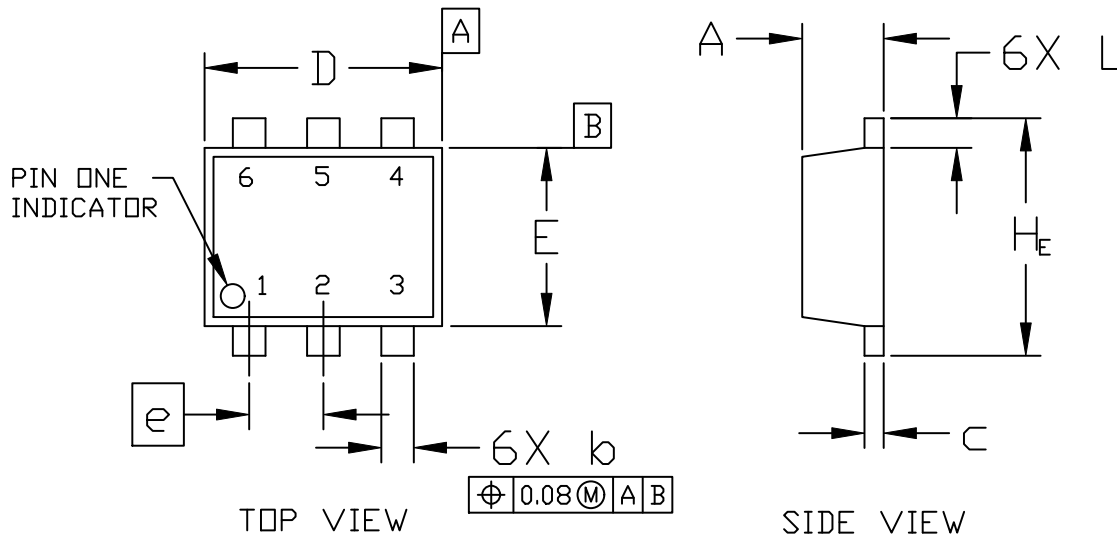
SCALE 4:1

SOT-563, 6 LEAD
CASE 463A
ISSUE H

DATE 26 JAN 2021

NOTES:

1. DIMENSIONING AND TOLERANCING PER ASME Y14.5M, 2009.
2. CONTROLLING DIMENSION: MILLIMETERS
3. MAXIMUM LEAD THICKNESS INCLUDES LEAD FINISH THICKNESS. MINIMUM LEAD THICKNESS IS THE MINIMUM THICKNESS OF BASE MATERIAL.



| DIM | MILLIMETERS | | |
|----------------|-------------|------|------|
| | MIN. | NOM. | MAX. |
| A | 0.50 | 0.55 | 0.60 |
| b | 0.17 | 0.22 | 0.27 |
| c | 0.08 | 0.13 | 0.18 |
| D | 1.50 | 1.60 | 1.70 |
| E | 1.10 | 1.20 | 1.30 |
| e | 0.50 BSC | | |
| L | 0.10 | 0.20 | 0.30 |
| H _E | 1.50 | 1.60 | 1.70 |

RECOMMENDED MOUNTING FOOTPRINT*

* For additional information on our Pb-Free strategy and soldering details, please download the ON Semiconductor Soldering and Mounting Techniques Reference Manual, SOLDERRM/D.

| | | |
|-------------------------|------------------------|--|
| DOCUMENT NUMBER: | 98AON11126D | Electronic versions are uncontrolled except when accessed directly from the Document Repository. Printed versions are uncontrolled except when stamped "CONTROLLED COPY" in red. |
| DESCRIPTION: | SOT-563, 6 LEAD | PAGE 1 OF 2 |

ON Semiconductor and are trademarks of Semiconductor Components Industries, LLC dba ON Semiconductor or its subsidiaries in the United States and/or other countries. ON Semiconductor reserves the right to make changes without further notice to any products herein. ON Semiconductor makes no warranty, representation or guarantee regarding the suitability of its products for any particular purpose, nor does ON Semiconductor assume any liability arising out of the application or use of any product or circuit, and specifically disclaims any and all liability, including without limitation special, consequential or incidental damages. ON Semiconductor does not convey any license under its patent rights nor the rights of others.

SOT-563, 6 LEAD
CASE 463A
ISSUE H

DATE 26 JAN 2021

STYLE 1:
PIN 1. EMITTER 1
2. BASE 1
3. COLLECTOR 2
4. EMITTER 2
5. BASE 2
6. COLLECTOR 1

STYLE 2:
PIN 1. EMITTER 1
2. EMITTER 2
3. BASE 2
4. COLLECTOR 2
5. BASE 1
6. COLLECTOR 1

STYLE 3:
PIN 1. CATHODE 1
2. CATHODE 1
3. ANODE/ANODE 2
4. CATHODE 2
5. CATHODE 2
6. ANODE/ANODE 1

STYLE 4:
PIN 1. COLLECTOR
2. COLLECTOR
3. BASE
4. EMITTER
5. COLLECTOR
6. COLLECTOR

STYLE 5:
PIN 1. CATHODE
2. CATHODE
3. ANODE
4. ANODE
5. CATHODE
6. CATHODE

STYLE 6:
PIN 1. CATHODE
2. ANODE
3. CATHODE
4. CATHODE
5. CATHODE
6. CATHODE

STYLE 7:
PIN 1. CATHODE
2. ANODE
3. CATHODE
4. CATHODE
5. ANODE
6. CATHODE

STYLE 8:
PIN 1. DRAIN
2. DRAIN
3. GATE
4. SOURCE
5. DRAIN
6. DRAIN

STYLE 9:
PIN 1. SOURCE 1
2. GATE 1
3. DRAIN 2
4. SOURCE 2
5. GATE 2
6. DRAIN 1

STYLE 10:
PIN 1. CATHODE 1
2. N/C
3. CATHODE 2
4. ANODE 2
5. N/C
6. ANODE 1

STYLE 11:
PIN 1. EMITTER 2
2. BASE 2
3. COLLECTOR 1
4. EMITTER 1
5. BASE 1
6. COLLECTOR 2

**GENERIC
MARKING DIAGRAM***



XX = Specific Device Code
M = Month Code
■ = Pb-Free Package

*This information is generic. Please refer to device data sheet for actual part marking. Pb-Free indicator, "G" or microdot "■", may or may not be present. Some products may not follow the Generic Marking.

| | | |
|-------------------------|------------------------|---|
| DOCUMENT NUMBER: | 98AON11126D | Electronic versions are uncontrolled except when accessed directly from the Document Repository. Printed versions are uncontrolled except when stamped "CONTROLLED COPY" in red. |
| DESCRIPTION: | SOT-563, 6 LEAD | PAGE 2 OF 2 |

ON Semiconductor and are trademarks of Semiconductor Components Industries, LLC dba ON Semiconductor or its subsidiaries in the United States and/or other countries. ON Semiconductor reserves the right to make changes without further notice to any products herein. ON Semiconductor makes no warranty, representation or guarantee regarding the suitability of its products for any particular purpose, nor does ON Semiconductor assume any liability arising out of the application or use of any product or circuit, and specifically disclaims any and all liability, including without limitation special, consequential or incidental damages. ON Semiconductor does not convey any license under its patent rights nor the rights of others.

MECHANICAL CASE OUTLINE

PACKAGE DIMENSIONS

ON Semiconductor®



SCALE 2:1

TSOP-5 CASE 483 ISSUE N

DATE 12 AUG 2020



NOTES:

1. DIMENSIONING AND TOLERANCING PER ASME Y14.5M, 1994.
2. CONTROLLING DIMENSION: MILLIMETERS.
3. MAXIMUM LEAD THICKNESS INCLUDES LEAD FINISH THICKNESS. MINIMUM LEAD THICKNESS IS THE MINIMUM THICKNESS OF BASE MATERIAL.
4. DIMENSIONS A AND B DO NOT INCLUDE MOLD FLASH, PROTRUSIONS, OR GATE BURRS. MOLD FLASH, PROTRUSIONS, OR GATE BURRS SHALL NOT EXCEED 0.15 PER SIDE. DIMENSION A.
5. OPTIONAL CONSTRUCTION: AN ADDITIONAL TRIMMED LEAD IS ALLOWED IN THIS LOCATION. TRIMMED LEAD NOT TO EXTEND MORE THAN 0.2 FROM BODY.

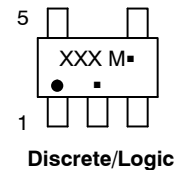
| DIM | MILLIMETERS | |
|-----|-------------|------|
| | MIN | MAX |
| A | 2.85 | 3.15 |
| B | 1.35 | 1.65 |
| C | 0.90 | 1.10 |
| D | 0.25 | 0.50 |
| G | 0.95 BSC | |
| H | 0.01 | 0.10 |
| J | 0.10 | 0.26 |
| K | 0.20 | 0.60 |
| M | 0° | 10° |
| S | 2.50 | 3.00 |

SOLDERING FOOTPRINT*



*For additional information on our Pb-Free strategy and soldering details, please download the ON Semiconductor Soldering and Mounting Techniques Reference Manual, SOLDERRM/D.

GENERIC MARKING DIAGRAM*



- XXX = Specific Device Code XXX = Specific Device Code
 A = Assembly Location M = Date Code
 Y = Year ▪ = Pb-Free Package
 W = Work Week
 ▪ = Pb-Free Package

(Note: Microdot may be in either location)

*This information is generic. Please refer to device data sheet for actual part marking. Pb-Free indicator, "G" or microdot "▪", may or may not be present.

| | | |
|------------------|-------------|--|
| DOCUMENT NUMBER: | 98ARB18753C | Electronic versions are uncontrolled except when accessed directly from the Document Repository. Printed versions are uncontrolled except when stamped "CONTROLLED COPY" in red. |
| DESCRIPTION: | TSOP-5 | PAGE 1 OF 1 |

ON Semiconductor and ON are trademarks of Semiconductor Components Industries, LLC dba ON Semiconductor or its subsidiaries in the United States and/or other countries. ON Semiconductor reserves the right to make changes without further notice to any products herein. ON Semiconductor makes no warranty, representation or guarantee regarding the suitability of its products for any particular purpose, nor does ON Semiconductor assume any liability arising out of the application or use of any product or circuit, and specifically disclaims any and all liability, including without limitation special, consequential or incidental damages. ON Semiconductor does not convey any license under its patent rights nor the rights of others.

MECHANICAL CASE OUTLINE PACKAGE DIMENSIONS



XDFN4 1.0x1.0, 0.65P
CASE 711AJ
ISSUE C

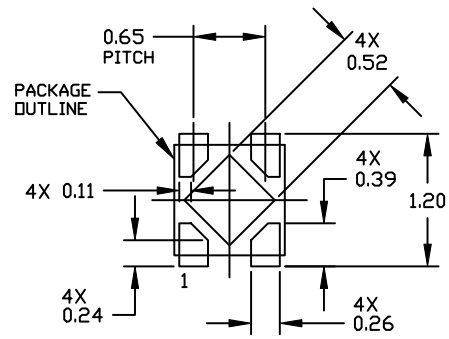
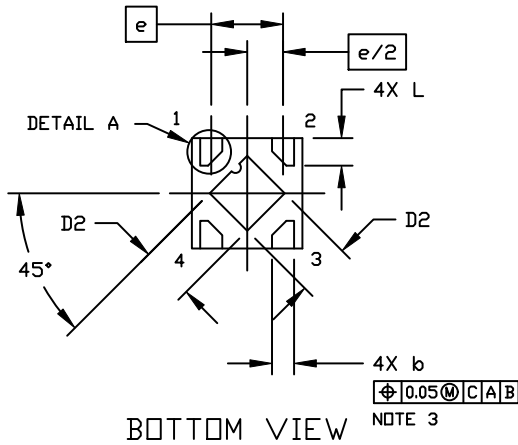
DATE 08 MAR 2022



NOTES:

1. DIMENSIONING AND TOLERANCING PER ASME Y14.5M, 1994.
2. CONTROLLING DIMENSION: MILLIMETERS
3. DIMENSION *b* APPLIES TO THE PLATED TERMINALS AND IS MEASURED BETWEEN 0.15 AND 0.20 FROM THE TERMINAL TIPS.
4. COPLANARITY APPLIES TO THE EXPOSED PAD AS WELL AS THE TERMINALS.

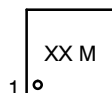
| DIM | MILLIMETERS | | |
|------------|-------------|------|------|
| | MIN | NOM | MAX |
| A | 0.33 | 0.38 | 0.43 |
| A1 | 0.00 | --- | 0.05 |
| A3 | 0.10 REF | | |
| <i>b</i> | 0.15 | 0.20 | 0.25 |
| <i>b</i> 2 | 0.02 | 0.07 | 0.12 |
| D | 0.90 | 1.00 | 1.10 |
| D2 | 0.43 | 0.48 | 0.53 |
| E | 0.90 | 1.00 | 1.10 |
| <i>e</i> | 0.65 BSC | | |
| L | 0.20 | | 0.30 |
| L2 | 0.07 | | 0.17 |



**RECOMMENDED
MOUNTING FOOTPRINT**

* FOR ADDITIONAL INFORMATION ON OUR Pb-FREE STRATEGY AND SOLDERING DETAILS, PLEASE DOWNLOAD THE ONSEMI SOLDERING AND MOUNT TECHNIQUES REFERENCE MANUAL, SOLDERRM/D

GENERIC MARKING DIAGRAM*



XX = Specific Device Code
M = Date Code

*This information is generic. Please refer to device data sheet for actual part marking. Pb-Free indicator, "G" or microdot "•", may or may not be present. Some products may not follow the Generic Marking.

| | | |
|-------------------------|------------------------------|--|
| DOCUMENT NUMBER: | 98AON67179E | Electronic versions are uncontrolled except when accessed directly from the Document Repository. Printed versions are uncontrolled except when stamped "CONTROLLED COPY" in red. |
| DESCRIPTION: | XDFN4, 1.0X1.0, 0.65P | PAGE 1 OF 1 |

onsemi and ONSEMI are trademarks of Semiconductor Components Industries, LLC dba onsemi or its subsidiaries in the United States and/or other countries. onsemi reserves the right to make changes without further notice to any products herein. onsemi makes no warranty, representation or guarantee regarding the suitability of its products for any particular purpose, nor does onsemi assume any liability arising out of the application or use of any product or circuit, and specifically disclaims any and all liability, including without limitation special, consequential or incidental damages. onsemi does not convey any license under its patent rights nor the rights of others.