



## Test Procedure for the NCP383LMUAJAGEVB Evaluation Board

This test procedure is given as an example for 800mA OCP version and EN active high.

### Equipments needed:

- Power supply 5V, 3A.
- 1 potentiometer 100Ω, 10W.
- 1 oscilloscope with 3 voltage probe and 1 current probe.

### Set-up

- VCC = 5V
- VIN=3.3V
- Device disable, EN=5V with **ENABLE H/ENABLE L** switch.
- Connect R3, R4 to VCC (Flag pull-up) with **FLAG1&FLAG2 PULL UP** jumper.
- Connect potentiometer between **OUT1 or OUT2** and **GND** pin.

### Turn-on sequence

- Enable device, EN=0V with **ENABLE H/ENABLE L** switch.

### Over current protection

- Sense IN (Yellow), OUT (Blue), FLAG (Green) voltage and IOUT (Purple).
- Enable device, EN=5V with **ENABLE H/ENABLE L** switch.
- Decrease resistance value of the potentiometer until FLAG goes to 0V.

### Regulation mode

- Sense IN (Yellow), OUT (Blue), FLAG (Green) voltage and IOUT (Purple).
- Enable device, EN=5V with **ENABLE H/ENABLE L** switch.
- Decrease resistance value of the potentiometer until regulation mode occurs.

### Turn off

- Disable device, EN1&2=5V with **ENABLE H/ENABLE L** switch.
- Remove Vin voltage
- Remove Vcc voltage



Symbol	Switch Description
--------	--------------------




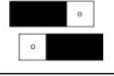
**POWER TEST POINT**

<b>IN</b>	Input voltage
<b>OUT1</b>	Output voltage 1
<b>OUT2</b>	Output voltage 2
<b>VCC</b>	External supply voltage, connected to FLAG1&2 pin through R3&R4
<b>GND</b>	Ground plane

**SIGNAL TEST POINT**

<b>FLAG1</b>	Flag pin of the output 1
<b>FLAG2</b>	Flag pin of the output 2
<b>EN1</b>	Enable pin of the output 1
<b>EN2</b>	Enable pin of the output 2

**SET-UP**

<b>ENABLE L</b> - <b>ENABLE H</b>	<p>Enable active low:</p> <p>Device enable → </p> <p>Device disable → </p>	
<b>FLAG1 PULL UP</b>	<p>-To connect R3 to VCC, connect a shorting jumper on left:</p> <p>-To connect R3 to Vin, connect a shorting jumper on right:</p>	
<b>FLAG1 PULL UP</b>	<p>-To connect R4 to Vin, connect a shorting jumper on left:</p> <p>-To connect R4 to VCC, connect a shorting jumper on right:</p>	
<b>CURRENT LIMIT</b>	<p>-Connect a shorting jumper to short circuit R6 (or R5, R7 for additional options).</p> <p>-Do not connect a shorting jumper to take R6 into account</p>	

**BOARD MARKING**

<b>PART NUMBER</b>	Device Marking, please refer to NCP383 specification
<b>CURRENT LIMIT</b>	Adjustable
<b>ENABLE</b>	Active low