

NCP4306 Synchronous Rectification Evaluation Board User's Manual



ON Semiconductor®

www.onsemi.com

Description

This evaluation board user's manual describes a high efficiency synchronous rectification evaluation board that can easily replace a secondary side rectification diode in an SMPS.

The NCP4306 is used as synchronous rectification controller. The evaluation board has very few external components and illustrates how small and effective such a design can be.

The NCP4306 features a very precise 0 mV turn-off comparator that supports even very low current flowing through the MOSFET even when very low RDSON synchronous MOSFETs is used. NCP4306 can be used in application working in CCM without external synchronization thanks to very low propagation delay and strong driver.

Key Features

- Precise Turn-off Comparator
- Wide Input Voltage Range
- High Operation Frequency
- Strong MOSFET Driver
- High Efficiency
- Adjustable Minimum On and Off Times
- Adjustable Light Load Detection Feature
- Capable to Operate in Positive and Negative Branch
- Small Size

EVAl BOARD USER'S MANUAL

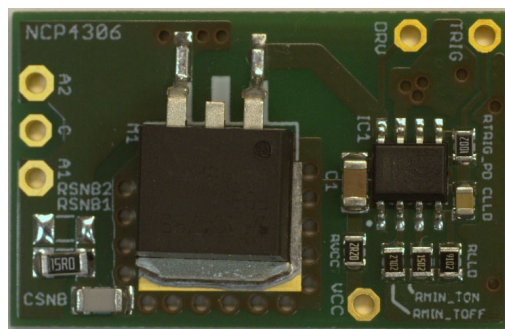


Figure 1. Evaluation Board Photo

Table 1.

SMPS Type	Supply Voltage	Reverse Voltage	Effective Resistance
Flyback, QR	3.5 – 35 V	150 V	10 mΩ

CONNECTION DIAGRAM

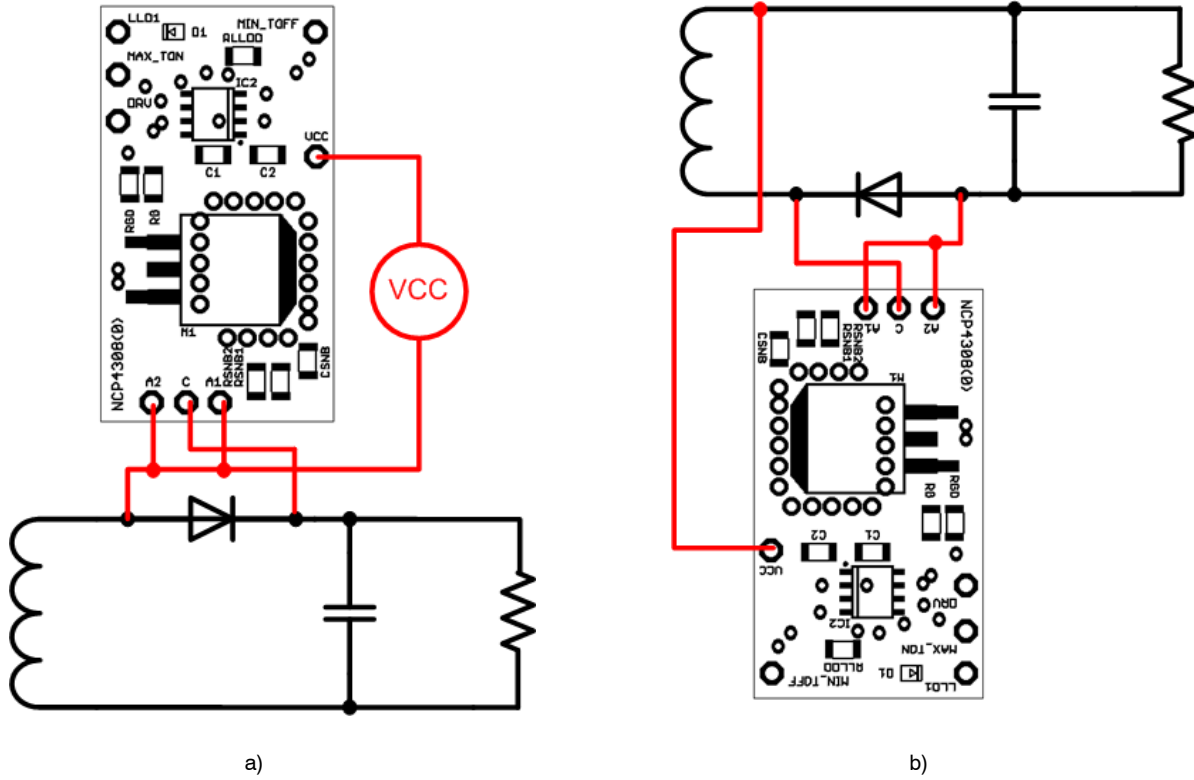


Figure 2. Possible Connections into Circuit

The evaluation board can be connected in circuit where the rectification diode is in the positive or negative branch. When connection to a positive branch is used, it is necessary

to use an external power supply (or auxiliary winding with rectification) to provide power to the evaluation board. VCC should be referenced to A1 or A2 points.

EVALUATION BOARD SCHEMATIC

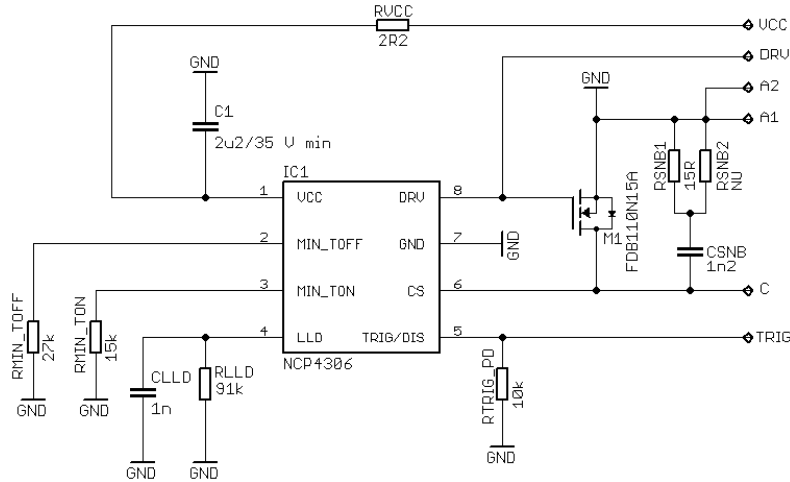


Figure 3. Schematic of the NCP4306

The evaluation board was designed to support a minimal external component count implementation. C1 is decoupling capacitor that should be placed as close as possible to the VCC and GND pins. Resistors RMIN_TON and RMIN_TOFF are used to set the protection interval when the synchronous MOSFET is turned on and off. It may

be needed to adjust them according to used SMPS. RLLD sets light load detection time and CLLD is optional for LLD voltage decoupling. Components CSNB, RSNB1 and RSNB2 form a snubber circuit.

Transistor M1 is 150 V V_{DS} capable with $R_{DS(on)}$ of 9.3 m Ω typ@10 V.

CIRCUIT LAYOUT

The PCB consists of a 2 layer FR4 board with 35 μm copper cladding. All components are surface mount. Critical component such as blocking capacitor C1 has to be placed carefully near the IC. The synchronous driver path to the MOSFET was done with very low resistance and parasitic inductance to minimize emissions and minimize turn-on

and turn-off times. The same is true for the CS pin. For the CS pin, a kelvin contact was done to be able to sense the voltage directly at the drain. Improper connection of the GND and CS connects can impact the turn-off process especially when a very low $R_{\text{DS(on)}}$ MOSFET is used.

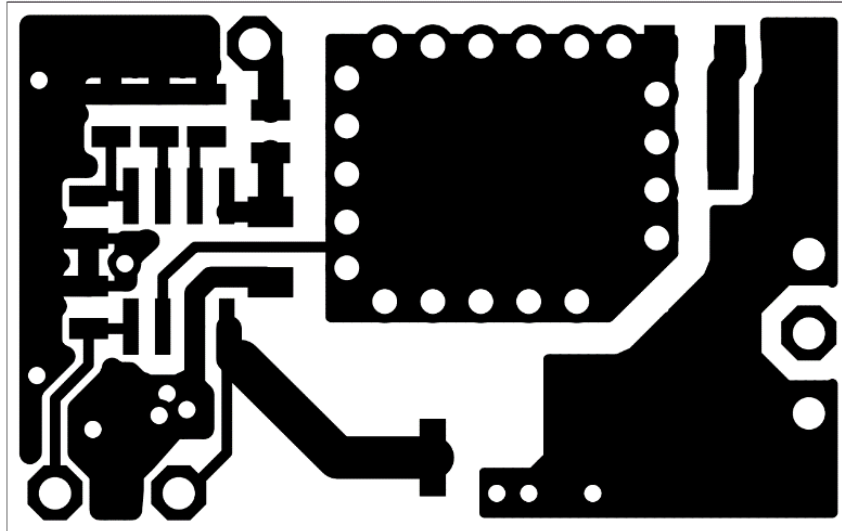


Figure 4. Top Layer

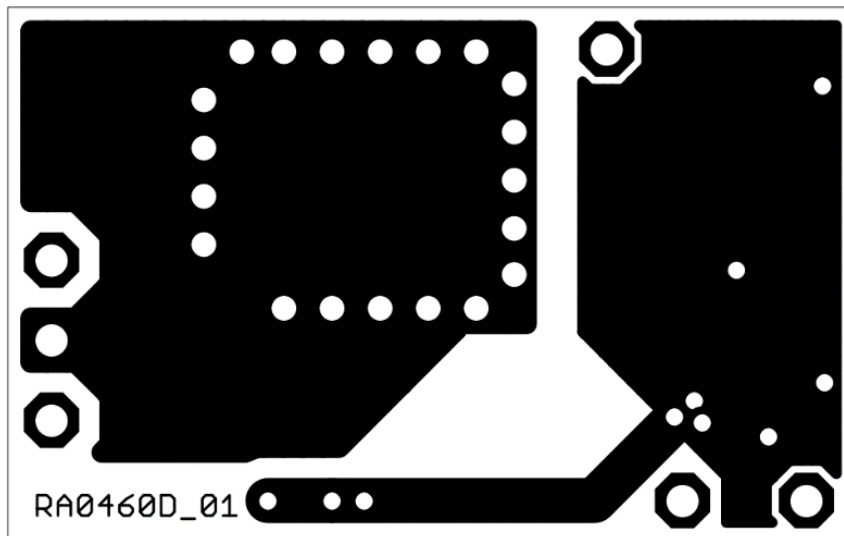


Figure 5. Bottom Layer

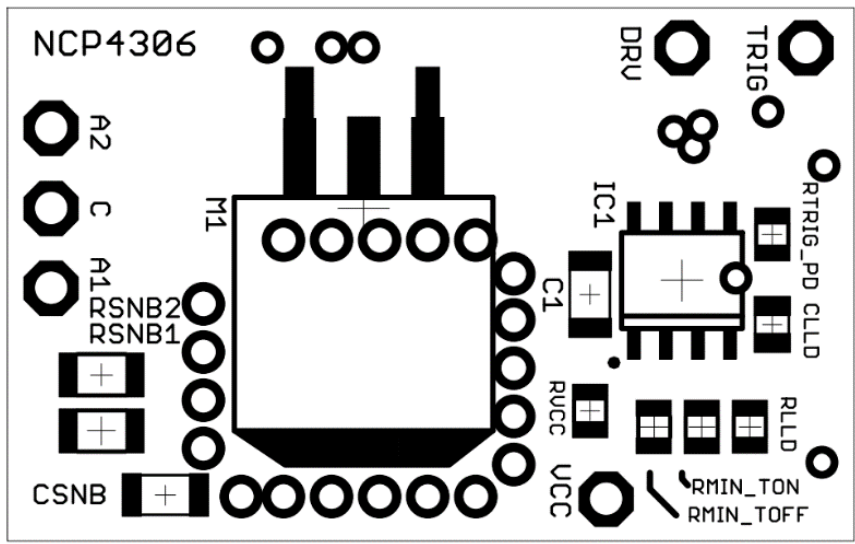


Figure 6. Top Side Components

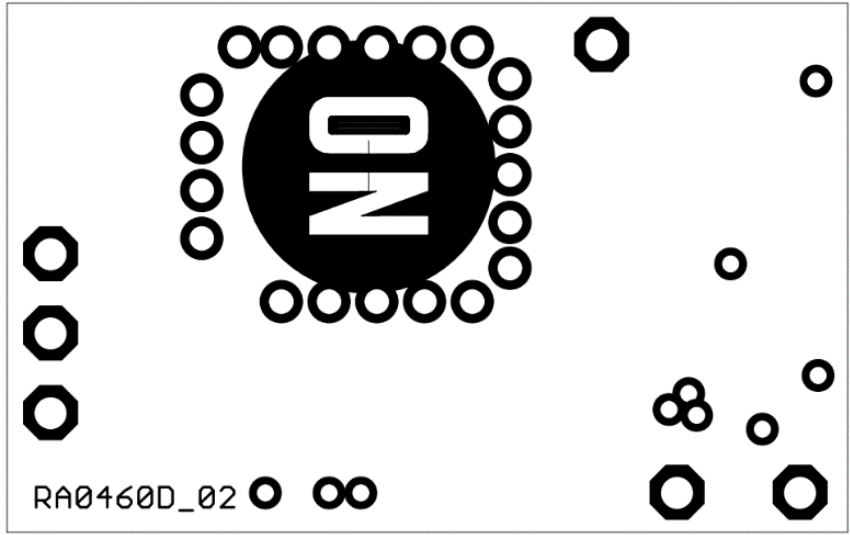


Figure 7. Bottom Side Components

EVBUM2520/D

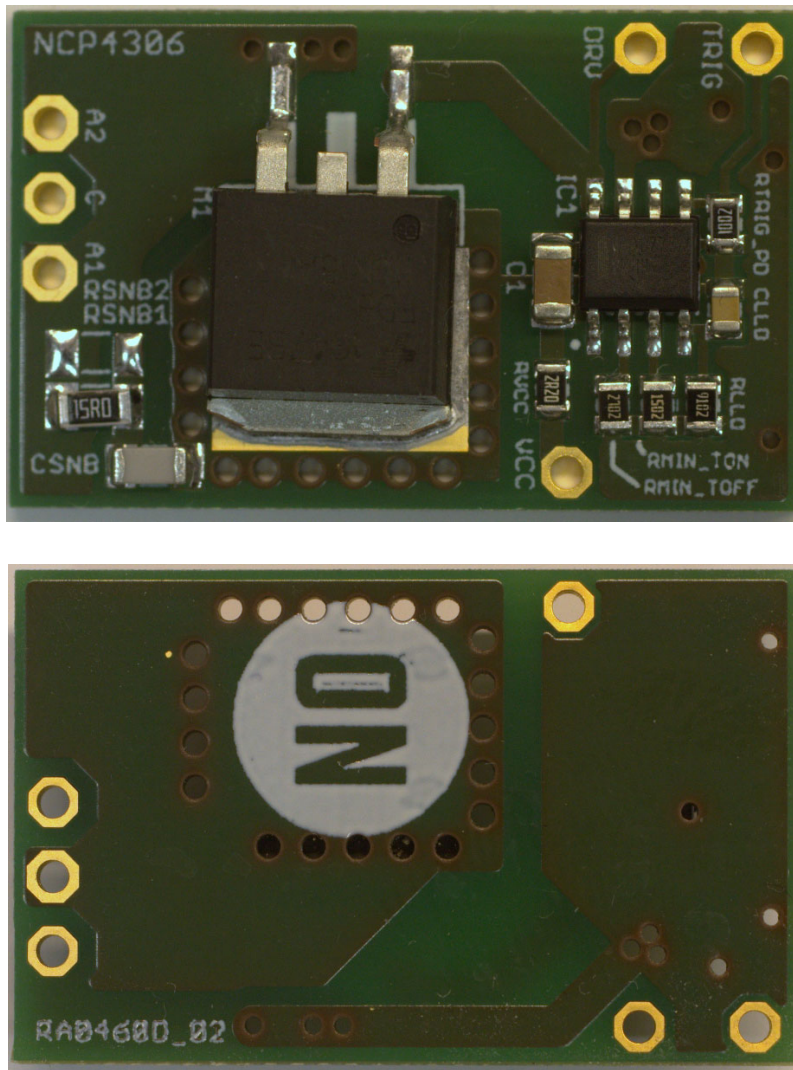


Figure 8. Evaluation Board Photos

EVBUM2520/D

BILL OF MATERIAL

Table 2. BILL OF MATERIAL FOR THE NCP4306 PUT-IN BOARD D2PAK 150 V

Designator	Qty	Description	Value	Tolerance	Footprint	Manufacturer	Manufacturer Part Number	Substitution Allowed
C1	1	Ceramic Capacitor	2.2 μ F / 50 V	10%	1206	KEMET	C1206C225K5RACTU	Yes
CLLD	1	Ceramic Capacitor	1n	20%	0805	KEMET	C0805C102M5RACTU	Yes
CSNB	1	Ceramic Capacitor	1n2	5%	1206	TDK Corporation	C3216C0G2J122J085AA	Yes
IC1	1	Secondary Side Synchronous Rectification Controller	NCP4306AADZZA	-	SOIC-08	ON Semiconductor	NCP4306AADZZAD R2G	No
M1	1	N-Channel Power MOSFET	FDB110N15A	-	D2PAK	ON Semiconductor	FDB110N15A	Yes
RVCC	1	Resistor SMD	2.2 Ω	1%	0805	YAGEO	RC0805FR-072R2L	Yes
RLLD	1	Resistor SMD	91 k Ω	1%	0805	YAGEO	RC0805FR-0791KL	Yes
R _{MIN_TOFF}	1	Resistor SMD	27 k Ω	1%	0805	YAGEO	RC0805FR-0727KL	Yes
R _{MIN_TON}	1	Resistor SMD	15 k Ω	1%	0805	YAGEO	RC0805FR-0715KL	Yes
R _{TRIG_PD}	1	Resistor SMD	10 k Ω	1%	0805	YAGEO	RC0805FR-0710KL	Yes
RSNB1	1	Resistor SMD	15 Ω	1%	1206	YAGEO	RC1206FR-0715RL	Yes
RSNB2	1	Resistor SMD	NU	-	1206	-	-	Yes

NOTE: All components are Pb-Free.