

# Linear Voltage Regulator, Fast Transient Response, 500 mA with Enable

## NCV8177

The NCV8177 is CMOS LDO regulator featuring 500 mA output current. The input voltage is as low as 1.6 V and the output voltage can be set from 0.75 V. It provides very stable and accurate voltage with low noise and high Power Supply Rejection Ratio (PSRR) suitable for RF applications. The NCV8177 is suitable for powering RF blocks of automotive infotainment systems and other power sensitive device. Due to low power consumption the NCV8177 offers high efficiency and low thermal dissipation. Small 4-pin XDFN4 1.0 mm x 1.0 mm or WDFNW8 2 mm x 2 mm packages make the device especially suitable for space constrained applications.

### Features

- Operating Input Voltage Range: 1.6 V to 5.5 V
- Output Voltage Range: 0.7 V to 3.6 V
- Quiescent Current typ. 60  $\mu$ A
- Low Dropout: 200 mV Typ. at 500 mA,  $V_{OUT-NOM} = 1.8$  V
- High Output Voltage Accuracy  $\pm 0.8\%$
- Stable with Small 1  $\mu$ F Ceramic Capacitors
- Over-current Protection
- Thermal Shutdown Protection: 175°C
- With (NCV8177A) and Without (NCV8177B) Output Discharge Function
- Available in XDFN4 1 mm x 1 mm x 0.4 mm and WDFNW8 2 mm x 2 mm Packages
- NCV Prefix for Automotive and Other Applications Requiring Unique Site and Control Change Requirements; AEC-Q100 Qualified and PPAP Capable
- This is a Pb-Free Device

### Typical Applications

- Lights
- Instrument Equipment
- Cameras, Camcorders, Sensors

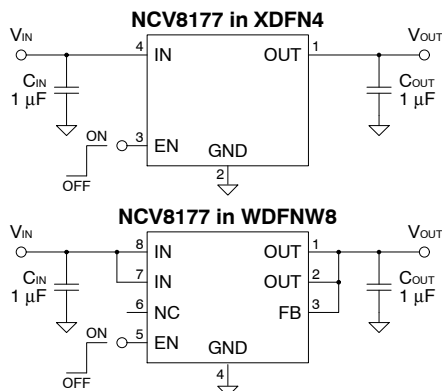


Figure 1. Typical Application Schematics



ON Semiconductor®

[www.onsemi.com](http://www.onsemi.com)

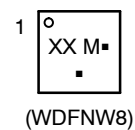


XDFN4  
CASE 711AJ



WDFNW8  
CASE 511CL

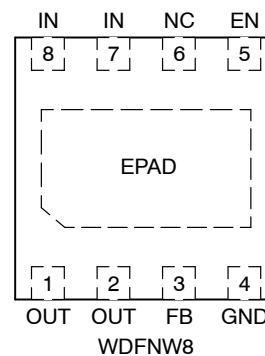
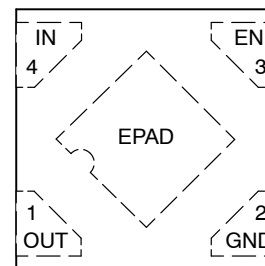
### MARKING DIAGRAMS



XX = Specific Device Code  
M = Date Code  
▪ = Pb-Free Package

(Note: Microdot may be in either location)

### PINOUT DIAGRAMS



### ORDERING INFORMATION

See detailed ordering, marking and shipping information on page 11 of this data sheet.

# NCV8177



**Figure 2. Internal Block Diagram**

## PIN FUNCTION DESCRIPTION

| Pin No. |        | Pin Name | Description  |
|---------|--------|----------|--|
| XDFN4   | WDFNW8 |          |  |
| 1       | 1      | OUT      | Regulated output voltage pin   |
| -       | 2      | OUT      | Regulated output voltage pin (Must be connected to pin 1)  |
| 4       | 8      | IN       | Power supply input voltage pin   |
| -       | 7      | IN       | Power supply input voltage pin (Must be connected to pin 8)  |
| 2       | 4      | GND      | Power supply ground pin  |
| 3       | 5      | EN       | Enable pin (active "H")  |
| -       | 3      | FB       | Feedback input pin (Must be connected to output voltage pin)                                       |
| -       | 6      | NC       | Not internally connected. This pin can be tied to the ground plane to improve thermal dissipation. |
| -       | -      | EPAD     | Exposed pad should be tied to ground plane for better power dissipation                            |

**ABSOLUTE MAXIMUM RATINGS**

| Rating                                    | Symbol             | Value                  | Unit |
|---|--------------------|------------------------|------|
| Input Voltage (Note 1)                    | IN                 | -0.3 to 6.0            | V    |
| Output Voltage                            | OUT                | -0.3 to $V_{IN} + 0.3$ | V    |
| Chip Enable Input                         | EN                 | -0.3 to 6.0            | V    |
| Feedback Input                            | FB                 | -0.3 to 6.0            | V    |
| Output Current                            | $I_{OUT}$          | Internally Limited     | mA   |
| Operating Ambient Temperature Range       | $T_A$              | -40 to +125            | °C   |
| Maximum Junction Temperature              | $T_{J(MAX)}$       | 150                    | °C   |
| Storage Temperature                       | $T_{STG}$          | -55 to 150             | °C   |
| ESD Capability, Human Body Model (Note 2) | ESD <sub>HBM</sub> | 2000                   | V    |
| ESD Capability, Machine Model (Note 2)    | ESD <sub>MM</sub>  | 200                    | V    |

Stresses exceeding those listed in the Maximum Ratings table may damage the device. If any of these limits are exceeded, device functionality should not be assumed, damage may occur and reliability may be affected.

1. Refer to ELECTRICAL CHARACTERISTICS and APPLICATION INFORMATION for Safe Operating Area.
2. This device series incorporates ESD protection and is tested by the following methods:  
 ESD Human Body Model tested per JESD22-A114  
 ESD Machine Model tested per JESD22-A115  
 Latchup Current Maximum Rating tested per JEDEC standard: JESD78

**THERMAL CHARACTERISTICS**

| Rating  | Symbol          | Value | Unit |
|---|-----------------|-------|------|
| Thermal Characteristics, XDFN4 (Note 3)<br>Thermal Resistance, Junction-to-Air      | $R_{\theta JA}$ | 223   | °C/W |
| Thermal Characteristics, WDFNW8 (Note 3)<br>Thermal Resistance, Junction-to-Ambient | $R_{\theta JA}$ | 72    | °C/W |

3. Measured according to JEDEC board specification. Detailed description of the board can be found in JESD51-7

**RECOMMENDED OPERATING CONDITIONS**

| Rating               | Symbol   | Min | Max | Unit |
|----------------------|----------|-----|-----|------|
| Input Voltage        | $V_{IN}$ | 1.6 | 5.5 | V    |
| Junction Temperature | $T_J$    | -40 | 125 | °C   |

Functional operation above the stresses listed in the Recommended Operating Ranges is not implied. Extended exposure to stresses beyond the Recommended Operating Ranges limits may affect device reliability.

# NCV8177

## ELECTRICAL CHARACTERISTICS

$V_{IN} = V_{OUT\_NOM} + 0.5\text{ V}$  or  $V_{IN} = 1.6\text{ V}$  (whichever is higher),  $V_{EN} = 1.2\text{ V}$ ,  $I_{OUT} = 1\text{ mA}$ ,  $C_{IN} = C_{OUT} = 1.0\text{ }\mu\text{F}$ ,  $T_J = 25^\circ\text{C}$   
 The specifications in bold are guaranteed at  $-40^\circ\text{C} \leq T_J \leq 125^\circ\text{C}$ .

| Parameter  | Test Conditions  | Symbol         | Min   | Typ        | Max         | Unit                |    |
|--|--|----------------|---|------------|-------------|---------------------|----|
| Input Voltage                                      |  | $V_{IN}$       | 1.6   |            | 5.5         | V                   |    |
| Output Voltage                                     | $V_{OUT\_NOM} \geq 1.8\text{ V}$   | $V_{OUT}$      | $T_J = +25^\circ\text{C}$                           | -0.8       |             | 0.8                 | %  |
|  |  |                | $-40^\circ\text{C} \leq T_J \leq 125^\circ\text{C}$ | -2.0       |             | 1.0                 |    |
|  | $V_{OUT\_NOM} < 1.8\text{ V}$  |                | $T_J = +25^\circ\text{C}$                           | -1.2       |             | 1.2                 |    |
|  |  |                | $-40^\circ\text{C} \leq T_J \leq 125^\circ\text{C}$ | -2.5       |             | 1.5                 |    |
| Line Regulation                                    | $V_{IN} = V_{OUT\_NOM} + 0.5\text{ V}$ to $5.25\text{ V}$<br>$V_{IN} \geq 1.6\text{ V}$  | LineReg        |   | 0.02       | <b>0.15</b> | %/V                 |    |
| Load Regulation                                    | $1\text{ mA} \leq I_{OUT} \leq 500\text{ mA}$ , $V_{IN} \geq 1.75\text{ V}$  | LoadReg        |   | 1          | <b>10</b>   | mV                  |    |
| Dropout Voltage (Note 4)                           | $I_{OUT} = 500\text{ mA}$  | $V_{DO}$       | $1.4\text{ V} \leq V_{OUT} < 1.8\text{ V}$          |            | 295         | <b>410</b>          | mV |
|  |  |                | $1.8\text{ V} \leq V_{OUT} < 2.1\text{ V}$          |            | 200         | <b>305</b>          |    |
|  |  |                | $2.1\text{ V} \leq V_{OUT} < 2.5\text{ V}$          |            | 160         | <b>260</b>          |    |
|  |  |                | $2.5\text{ V} \leq V_{OUT} < 3.0\text{ V}$          |            | 130         | <b>220</b>          |    |
|  |  |                | $3.0\text{ V} \leq V_{OUT} < 3.6\text{ V}$          |            | 110         | <b>190</b>          |    |
| Quiescent Current                                  | $I_{OUT} = 0\text{ mA}$  | $I_Q$          |   | 60         | <b>90</b>   | $\mu\text{A}$       |    |
| Standby Current                                    | $V_{EN} = 0\text{ V}$  | $I_{STBY}$     |   | 0.1        | <b>1.5</b>  | $\mu\text{A}$       |    |
| Output Current Limit                               | $V_{OUT} = V_{OUT\_NOM} - 100\text{ mV}$<br>$V_{IN} = V_{OUT\_NOM} + 0.5\text{ V}$ or $V_{IN} = 1.75\text{ V}$<br>(whichever is higher)  | $I_{OUT}$      |   | <b>510</b> | 800         | mA                  |    |
|  | $V_{OUT} = V_{OUT\_NOM} - 100\text{ mV}$<br>$V_{IN} = V_{OUT\_NOM} + 0.5\text{ V}$ or $V_{IN} = 1.6\text{ V}$<br>(whichever is higher)   |                |   | <b>300</b> | 600         |                     |    |
| Short Circuit Current                              | $V_{OUT} = 0\text{ V}$ , $V_{IN} \geq 1.75\text{ V}$   | $I_{SC}$       | <b>510</b>  | 800        |             | mA                  |    |
| EN Pin Threshold Voltage                           | EN Input Voltage "H"   | $V_{ENH}$      | <b>1.0</b>  |            |             | V                   |    |
|  | EN Input Voltage "L"   | $V_{ENL}$      |   |            | <b>0.4</b>  |                     |    |
| Enable Input Current                               | $V_{EN} = V_{IN} = 5.5\text{ V}$   | $I_{EN}$       |   | 0.15       | <b>0.6</b>  | $\mu\text{A}$       |    |
| Power Supply Rejection Ratio                       | $f = 1\text{ kHz}$ , Ripple $0.2\text{ V}_{p-p}$ ,<br>$V_{IN} = V_{OUT\_NOM} + 1.0\text{ V}$ , $I_{OUT} = 30\text{ mA}$<br>( $V_{OUT} \leq 2.0\text{ V}$ , $V_{IN} = 3.0\text{ V}$ ) | PSRR           |   | 75         |             | dB                  |    |
| Output Noise                                       | $f = 10\text{ Hz}$ to $100\text{ kHz}$   |                |   | 54         |             | $\mu\text{V}_{RMS}$ |    |
| Output Discharge Resistance (NCV8177A option only) | $V_{IN} = 4.0\text{ V}$ , $V_{EN} = 0\text{ V}$ , $V_{OUT} = V_{OUT\_NOM}$   | $R_{ACTDIS}$   |   | 60         |             | $\Omega$            |    |
| Thermal Shutdown Temperature                       | Temperature rising from $25^\circ\text{C}$   | $T_{SD\_TEMP}$ |   | 175        |             | $^\circ\text{C}$    |    |
| Thermal Shutdown Hysteresis                        | Temperature falling from $T_{SD\_TEMP}$  | $T_{SD\_HYST}$ |   | 20         |             | $^\circ\text{C}$    |    |

Product parametric performance is indicated in the Electrical Characteristics for the listed test conditions, unless otherwise noted. Product performance may not be indicated by the Electrical Characteristics if operated under different conditions.

NOTE: Performance guaranteed over the indicated operating temperature range by design and/or characterization. Production tested at  $T_A = 25^\circ\text{C}$ . Low duty cycle pulse techniques are used during the testing to maintain the junction temperature as close to ambient as possible.

4. Measured when the output voltage falls 3% below the nominal output voltage (the voltage measured under the condition  $V_{IN} = V_{OUT\_NOM} + 0.5\text{ V}$ ).

TYPICAL CHARACTERISTICS

$V_{IN} = V_{OUT-NOM} + 0.5\text{ V}$  or  $V_{IN} = 1.6\text{ V}$  (whichever is higher),  $V_{EN} = 1.2\text{ V}$ ,  $I_{OUT} = 1\text{ mA}$ ,  $C_{IN} = C_{OUT} = 1.0\text{ }\mu\text{F}$ ,  $T_J = 25^\circ\text{C}$



Figure 3. Output Voltage vs. Temperature



Figure 4. Output Voltage vs. Temperature

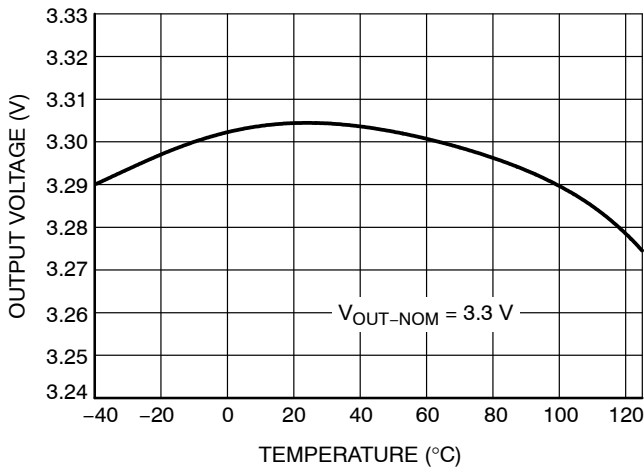


Figure 5. Output Voltage vs. Temperature

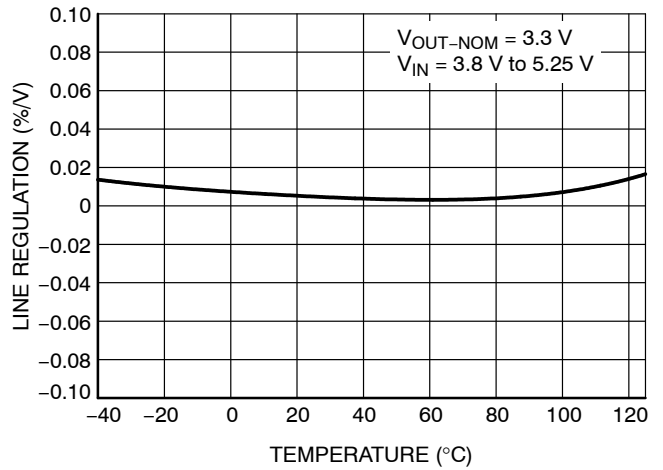


Figure 6. Line Regulation vs. Temperature

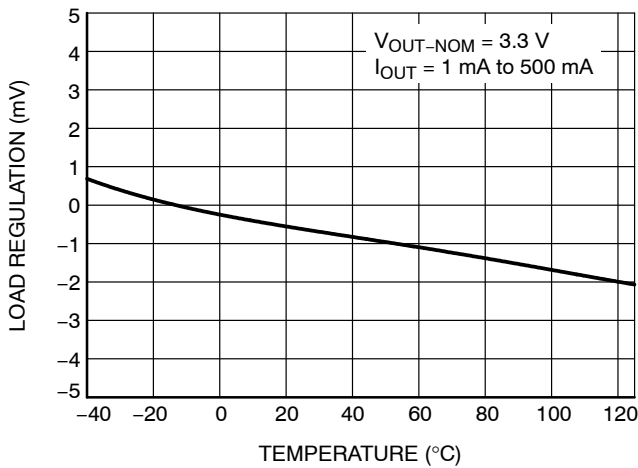


Figure 7. Load Regulation vs. Temperature



Figure 8. Dropout Voltage vs. Output Current

TYPICAL CHARACTERISTICS

$V_{IN} = V_{OUT-NOM} + 0.5\text{ V}$  or  $V_{IN} = 1.6\text{ V}$  (whichever is higher),  $V_{EN} = 1.2\text{ V}$ ,  $I_{OUT} = 1\text{ mA}$ ,  $C_{IN} = C_{OUT} = 1.0\text{ }\mu\text{F}$ ,  $T_J = 25^\circ\text{C}$



Figure 9. Dropout Voltage vs. Temperature



Figure 10. Dropout Voltage vs. Output Current



Figure 11. Dropout Voltage vs. Temperature



Figure 12. Standby Current vs. Temperature

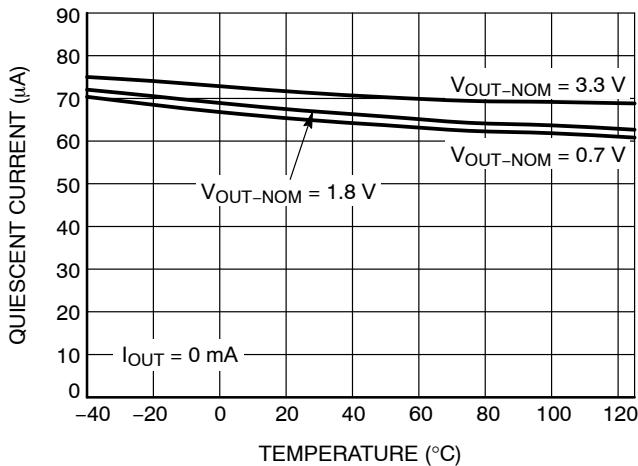


Figure 13. Quiescent Current vs. Temperature

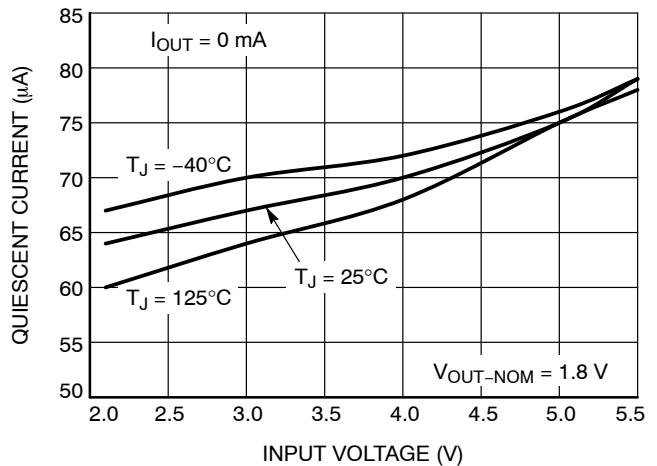


Figure 14. Quiescent Current vs. Input Voltage

TYPICAL CHARACTERISTICS

$V_{IN} = V_{OUT-NOM} + 0.5 V$  or  $V_{IN} = 1.6 V$  (whichever is higher),  $V_{EN} = 1.2 V$ ,  $I_{OUT} = 1 mA$ ,  $C_{IN} = C_{OUT} = 1.0 \mu F$ ,  $T_J = 25^\circ C$

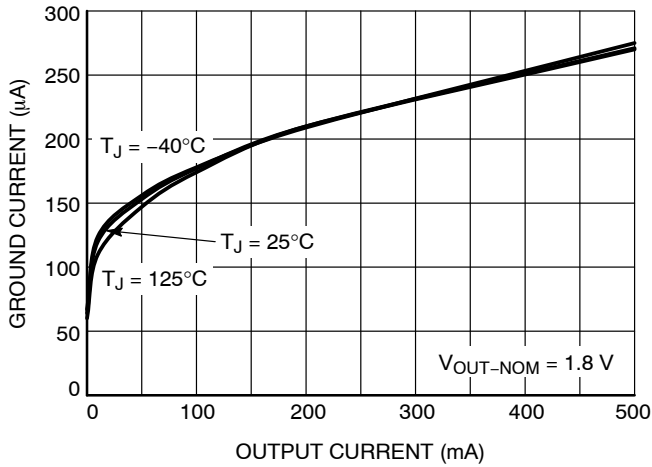


Figure 15. Ground Current vs. Output Current



Figure 16. Short Circuit Current vs. Temperature



Figure 17. Output Current Limit vs. Temperature



Figure 18. Enable Threshold Voltage vs. Temperature



Figure 19. Enable Input Current vs. Temperature



Figure 20. Output Discharge Resistance vs. Temperature (NCV8177A option only)

TYPICAL CHARACTERISTICS

$V_{IN} = V_{OUT\_NOM} + 0.5\text{ V}$  or  $V_{IN} = 1.6\text{ V}$  (whichever is higher),  $V_{EN} = 1.2\text{ V}$ ,  $I_{OUT} = 1\text{ mA}$ ,  $C_{IN} = C_{OUT} = 1.0\text{ }\mu\text{F}$ ,  $T_J = 25^\circ\text{C}$

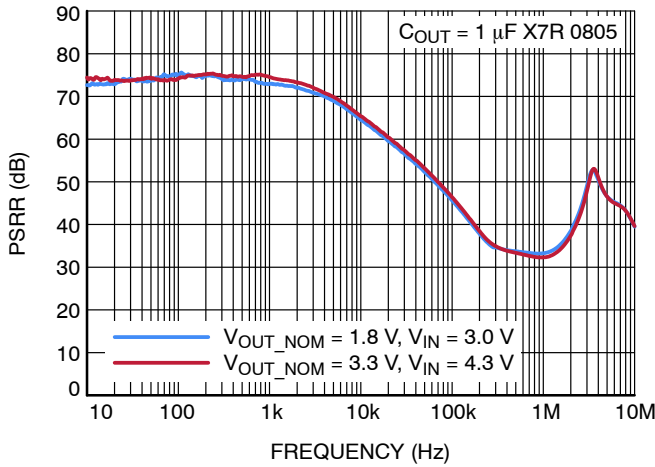


Figure 21. Power Supply Rejection Ratio

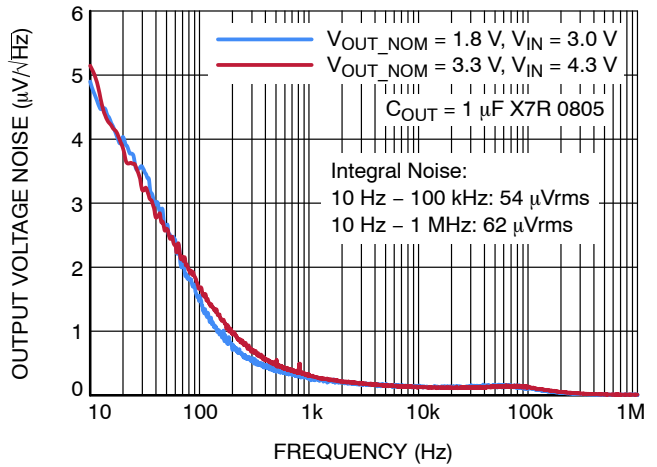


Figure 22. Output Voltage Noise Spectral Density



Figure 23. Turn-ON/OFF - VIN Driven (slow)

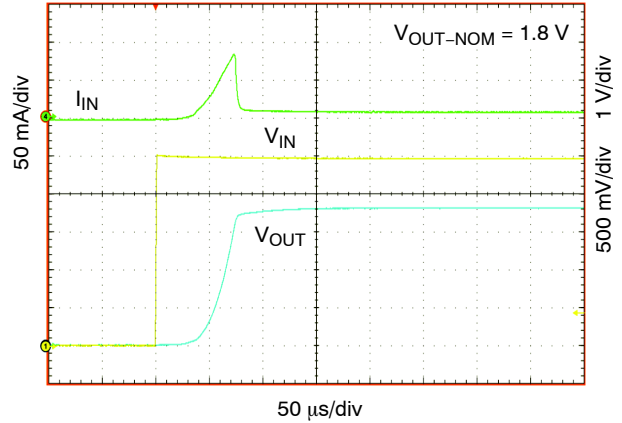


Figure 24. Turn-ON - VIN Driven (fast)

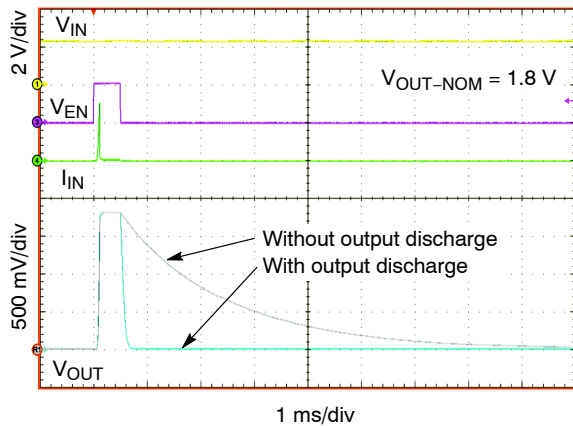


Figure 25. Turn-ON/OFF - EN Driven

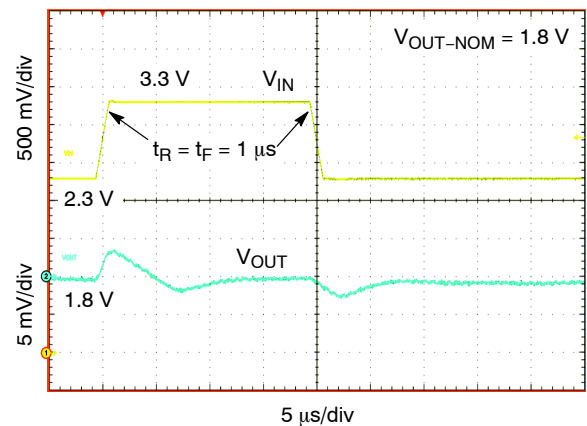


Figure 26. Line Transient Response



TYPICAL CHARACTERISTICS

$V_{IN} = V_{OUT-NOM} + 0.5\text{ V}$  or  $V_{IN} = 1.6\text{ V}$  (whichever is higher),  $V_{EN} = 1.2\text{ V}$ ,  $I_{OUT} = 1\text{ mA}$ ,  $C_{IN} = C_{OUT} = 1.0\text{ }\mu\text{F}$ ,  $T_J = 25^\circ\text{C}$



Figure 27. Load Transient Response

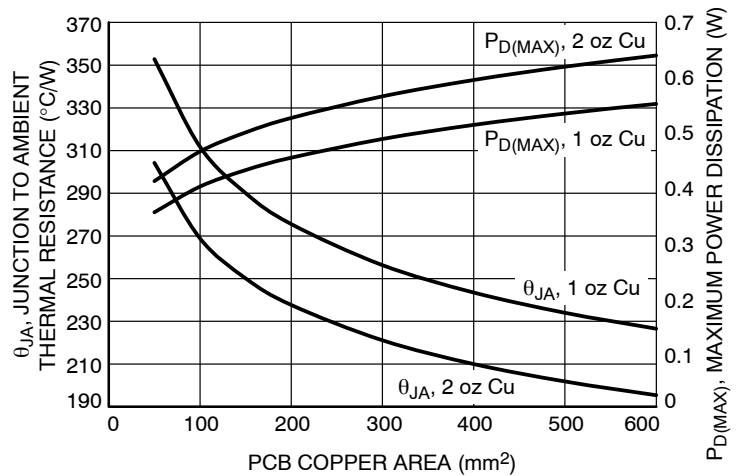


Figure 28.  $\theta_{JA}$  and  $P_{D(MAX)}$  vs. Copper Area

APPLICATIONS INFORMATION

General

The NCV8177 is a high performance 500 mA low dropout linear regulator (LDO) delivering excellent noise and dynamic performance. Thanks to its adaptive ground current behavior the device consumes only 60  $\mu\text{A}$  of quiescent current (no-load condition).

The regulator features low noise of 48  $\mu\text{V}_{RMS}$ , PSRR of 75 dB at 1 kHz and very good line/load transient performance. Such excellent dynamic parameters, small dropout voltage and small package size make the device an ideal choice for powering the precision noise sensitive circuitry in portable applications.

A logic EN input provides ON/OFF control of the output voltage. When the EN is low the device consumes as low as 100 nA typ. from the IN pin.

The device is fully protected in case of output overload, output short circuit condition or overheating, assuring a very robust design.

Input Capacitor Selection ( $C_{IN}$ )

Input capacitor connected as close as possible is necessary to ensure device stability. The X7R or X5R capacitor should be used for reliable performance over temperature range. The value of the input capacitor should be 1  $\mu\text{F}$  or greater for the best dynamic performance. This capacitor will provide a low impedance path for unwanted AC signals or noise modulated onto the input voltage.

There is no requirement for the ESR of the input capacitor but it is recommended to use ceramic capacitor for its low ESR and ESL. A good input capacitor will limit the influence of input trace inductance and source resistance during load current changes.

Output Capacitor Selection ( $C_{OUT}$ )

The LDO requires an output capacitor connected as close as possible to the output and ground pins. The recommended capacitor value is 1  $\mu\text{F}$ , ceramic X7R or X5R type due to its low capacitance variations over the specified temperature range. The LDO is designed to remain stable with minimum effective capacitance of 0.8  $\mu\text{F}$ . When selecting the capacitor the changes with temperature, DC bias and package size needs to be taken into account. Especially for small package size capacitors such as 0201 the effective capacitance drops rapidly with the applied DC bias voltage (refer the capacitor’s datasheet for details).

There is no requirement for the minimum value of equivalent series resistance (ESR) for the  $C_{OUT}$  but the maximum value of ESR should be less than 0.5  $\Omega$ . Larger capacitance and lower ESR improves the load transient response and high frequency PSRR. Only ceramic capacitors are recommended, the other types like tantalum capacitors not due to their large ESR.

Enable Operation

The LDO uses the EN pin to enable/disable its operation and to deactivate/activate the output discharge function (A-version only).

If the EN pin voltage is < 0.4 V the device is disabled and the pass transistor is turned off so there is no current flow between the IN and OUT pins. On A-version the active discharge transistor is active so the output voltage is pulled to GND through 60  $\Omega$  (typ.) resistor.

If the EN pin voltage is > 1.0 V the device is enabled and regulates the output voltage. The active discharge transistor is turned off.

The EN pin has internal pull-down current source with value of 300 nA typ. which assures the device is turned off when the EN pin is unconnected. In case when the EN function isn't required the EN pin should be tied directly to IN pin.

**Output Current Limit**

Output current is internally limited to a 750 mA typ. The LDO will source this current when the output voltage drops down from the nominal output voltage (test condition is  $V_{OUT-NOM} - 100\text{ mV}$ ). If the output voltage is shorted to ground, the short circuit protection will limit the output current to 700 mA typ. The current limit and short circuit protection will work properly over the whole temperature and input voltage ranges. There is no limitation for the short circuit duration.

**Thermal Shutdown**

When the LDO's die temperature exceeds the thermal shutdown threshold value the device is internally disabled. The IC will remain in this state until the die temperature decreases by value called thermal shutdown hysteresis. Once the IC temperature falls this way the LDO is back enabled. The thermal shutdown feature provides the protection against overheating due to some application failure and it is not intended to be used as a normal working function.

**Power Dissipation**

Power dissipation caused by voltage drop across the LDO and by the output current flowing through the device needs to be dissipated out from the chip. The maximum power dissipation is dependent on the PCB layout, number of used Cu layers, Cu layers thickness and the ambient temperature. The maximum power dissipation can be computed by following equation:

$$P_{D(MAX)} = \frac{T_J - T_A}{\theta_{JA}} = \frac{125 - T_A}{\theta_{JA}} \text{ [W]} \quad (\text{eq. 1})$$

Where:  $(T_J - T_A)$  is the temperature difference between the junction and ambient temperatures and  $\theta_{JA}$  is the thermal resistance (dependent on the PCB as mentioned above).

For reliable operation junction temperature should be limited to +125°C.

The power dissipated by the LDO for given application conditions can be calculated by the next equation:

$$P_D = V_{IN} \cdot I_{GND} + (V_{IN} - V_{OUT}) \cdot I_{OUT} \text{ [W]} \quad (\text{eq. 2})$$

Where:  $I_{GND}$  is the LDO's ground current, dependent on the output load current.

Connecting the exposed pad and N/C pin to a large ground planes helps to dissipate the heat from the chip.

The relation of  $\theta_{JA}$  and  $P_{D(MAX)}$  to PCB copper area and Cu layer thickness could be seen on the Figure 26.

**Reverse Current**

The PMOS pass transistor has an inherent body diode which will be forward biased in the case when  $V_{OUT} > V_{IN}$ . Due to this fact in cases, where the extended reverse current condition can be anticipated the device may require additional external protection.

**Power Supply Rejection Ratio**

The LDO features very high power supply rejection ratio. The PSRR at higher frequencies (in the range above 100 kHz) can be tuned by the selection of  $C_{OUT}$  capacitor and proper PCB layout. A simple LC filter could be added to the LDO's IN pin for further PSRR improvement.

**Enable Turn-On Time**

The enable turn-on time is defined as the time from EN assertion to the point in which  $V_{OUT}$  will reach 98% of its nominal value. This time is dependent on various application conditions such as  $V_{OUT-NOM}$ ,  $C_{OUT}$  and  $T_A$ .

**PCB Layout Recommendations**

To obtain good transient performance and good regulation characteristics place  $C_{IN}$  and  $C_{OUT}$  capacitors as close as possible to the device pins and make the PCB traces wide. In order to minimize the solution size, use 0402 or 0201 capacitors size with appropriate effective capacitance.

Larger copper area connected to the pins will also improve the device thermal resistance. The actual power dissipation can be calculated from the equation above (Power Dissipation section). Exposed pad and N/C pin should be tied to the ground plane for good power dissipation.

# NCV8177

## ORDERING INFORMATION

| Part Number        | Voltage Option | Option                   | Marking | Package                               | Shipping†          |
|--------------------|----------------|--------------------------|---------|---------------------------------------|--------------------|
| NCV8177AMX075TCG*  | 0.75 V         | With output discharge    | VA      | XDFN4<br>(Pb-Free)                    | 3000 / Tape & Reel |
| NCV8177AMX090TCG   | 0.90 V         |                          | VH      |                                       |                    |
| NCV8177AMX120TCG*  | 1.20 V         |                          | VC      |                                       |                    |
| NCV8177AMX150TCG   | 1.50 V         |                          | VD      |                                       |                    |
| NCV8177AMX180TCG   | 1.80 V         |                          | VE      |                                       |                    |
| NCV8177AMX250TCG   | 2.50 V         |                          | VF      |                                       |                    |
| NCV8177AMX330TCG   | 3.30 V         |                          | VG      |                                       |                    |
| NCV8177BMX075TCG*  | 0.75 V         | Without output discharge | V2      |                                       |                    |
| NCV8177BMX090TCG   | 0.90 V         |                          | VZ      |                                       |                    |
| NCV8177BMX120TCG*  | 1.20 V         |                          | V3      |                                       |                    |
| NCV8177BMX150TCG   | 1.50 V         |                          | V4      |                                       |                    |
| NCV8177BMX180TCG   | 1.80 V         |                          | V5      |                                       |                    |
| NCV8177BMX250TCG   | 2.50 V         |                          | V6      |                                       |                    |
| NCV8177BMX330TCG   | 3.30 V         |                          | V7      |                                       |                    |
| NCV8177AMTW085TCG  | 0.85 V         | With output discharge    | TG      | WDFNW8<br>Wettable Flank<br>(Pb-Free) | 3000 / Tape & Reel |
| NCV8177AMTW090TCG* | 0.90 V         |                          | TH      |                                       |                    |
| NCV8177AMTW110TCG* | 1.10 V         |                          | TC      |                                       |                    |
| NCV8177AMTW120TCG* | 1.20 V         |                          | TK      |                                       |                    |
| NCV8177AMTW180TCG  | 1.80 V         |                          | TE      |                                       |                    |
| NCV8177AMTW280TCG  | 2.80 V         |                          | TD      |                                       |                    |
| NCV8177AMTW330TCG  | 3.30 V         |                          | TF      |                                       |                    |

†For information on tape and reel specifications, including part orientation and tape sizes, please refer to our Tape and Reel Packaging Specifications Brochure, BRD8011/D.

\*Check sales for availability.

## ORDERING INFORMATION – (Alternative Parts)

| Part Number            | Voltage Option | Option                   | Marking | Package                               | Shipping†          |
|------------------------|----------------|--------------------------|---------|---------------------------------------|--------------------|
| NCV8177AMX075TCG-A642  | 0.75 V         | With output discharge    | VA      | XDFN4<br>(Pb-Free)                    | 3000 / Tape & Reel |
| NCV8177AMX120TCG-A642  | 1.20 V         |                          | VC      |                                       |                    |
| NCV8177BMX075TCG-A642  | 0.75 V         | Without output discharge | V2      |                                       |                    |
| NCV8177BMX120TCG-A642  | 1.20 V         |                          | V3      |                                       |                    |
| NCV8177AMTW090TCG-A642 | 0.90 V         | With output discharge    | TH      | WDFNW8<br>Wettable Flank<br>(Pb-Free) | 3000 / Tape & Reel |
| NCV8177AMTW110TCG-A642 | 1.10 V         |                          | TC      |                                       |                    |
| NCV8177AMTW120TCG-A642 | 1.20 V         |                          | TK      |                                       |                    |

# MECHANICAL CASE OUTLINE PACKAGE DIMENSIONS

ON Semiconductor®



SCALE 2:1

## WDFNW8 2x2, 0.5P CASE 511CL ISSUE B

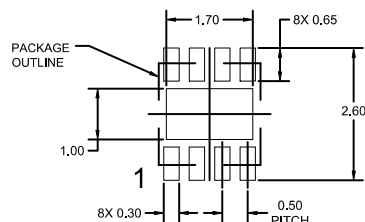
DATE 03 DEC 2019



NOTES:

1. DIMENSIONING AND TOLERANCING PER ASME Y14.5M, 2009.
2. CONTROLLING DIMENSION: MILLIMETERS
3. DIMENSIONS b AND b1 APPLY TO PLATED TERMINALS AND ARE MEASURED BETWEEN 0.15 AND 0.30MM FROM THE TERMINAL TIP.
4. COPLANARITY APPLIES TO THE EXPOSED PAD AS WELL AS THE TERMINALS.

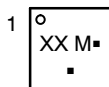
| DIM | MILLIMETERS |      |      |
|-----|-------------|------|------|
|     | MIN.        | NOM. | MAX. |
| A   | 0.70        | 0.75 | 0.80 |
| A1  | 0.00        | ---  | 0.05 |
| A3  | 0.20 REF    |      |      |
| A4  | 0.10        | ---  | ---  |
| b   | 0.20        | 0.25 | 0.30 |
| D   | 1.90        | 2.00 | 2.10 |
| D2  | 1.50        | 1.60 | 1.70 |
| E   | 1.90        | 2.00 | 2.10 |
| E2  | 0.80        | 0.90 | 1.00 |
| e   | 0.50 BSC    |      |      |
| K   | 0.25 REF    |      |      |
| L   | 0.20        | 0.30 | 0.40 |
| L3  | ---         | ---  | 0.10 |



### RECOMMENDED MOUNTING FOOTPRINT

\* For additional information on our Pb-Free strategy and soldering details, please download the ON Semiconductor Soldering and Mounting Techniques Reference Manual, SOLDERRM/D.

### GENERIC MARKING DIAGRAM\*



- XX = Specific Device Code
- M = Date Code
- = Pb-Free Package

(Note: Microdot may be in either location)

\*This information is generic. Please refer to device data sheet for actual part marking. Pb-Free indicator, "G" or microdot "▪", may or may not be present. Some products may not follow the Generic Marking.

|                         |                         |  |
|-------------------------|-------------------------|--|
| <b>DOCUMENT NUMBER:</b> | <b>98AON12825G</b>      | Electronic versions are uncontrolled except when accessed directly from the Document Repository. Printed versions are uncontrolled except when stamped "CONTROLLED COPY" in red. |
| <b>DESCRIPTION:</b>     | <b>WDFNW8 2x2, 0.5P</b> | <b>PAGE 1 OF 1</b>   |

ON Semiconductor and ON are trademarks of Semiconductor Components Industries, LLC dba ON Semiconductor or its subsidiaries in the United States and/or other countries. ON Semiconductor reserves the right to make changes without further notice to any products herein. ON Semiconductor makes no warranty, representation or guarantee regarding the suitability of its products for any particular purpose, nor does ON Semiconductor assume any liability arising out of the application or use of any product or circuit, and specifically disclaims any and all liability, including without limitation special, consequential or incidental damages. ON Semiconductor does not convey any license under its patent rights nor the rights of others.

# MECHANICAL CASE OUTLINE PACKAGE DIMENSIONS

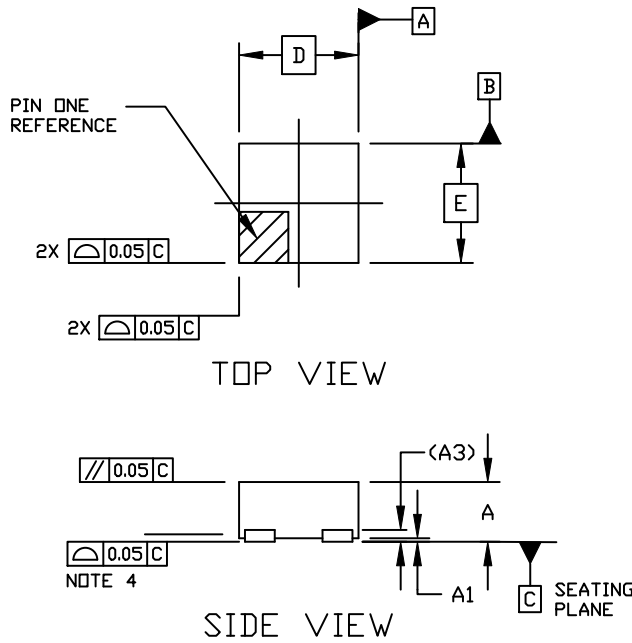
ON Semiconductor®



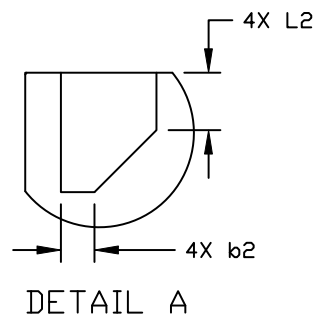
SCALE 4:1

XDFN4 1.0x1.0, 0.65P  
CASE 711AJ  
ISSUE B

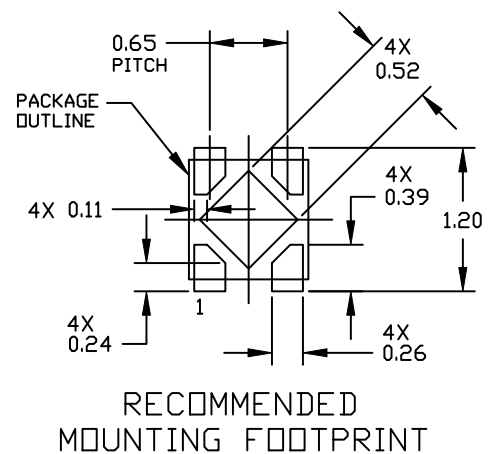
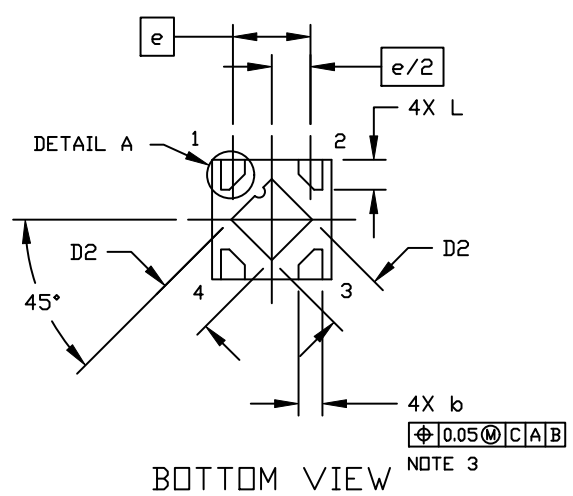
DATE 25 JUN 2021



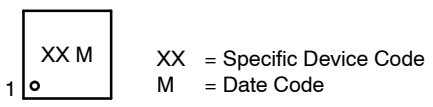
- NOTES:
1. DIMENSIONING AND TOLERANCING PER ASME Y14.5M, 1994.
  2. CONTROLLING DIMENSION: MILLIMETERS
  3. DIMENSION *b* APPLIES TO THE PLATED TERMINALS AND IS MEASURED BETWEEN 0.15 AND 0.20 FROM THE TERMINAL TIPS.
  4. COPLANARITY APPLIES TO THE EXPOSED PAD AS WELL AS THE TERMINALS.



| DIM        | MILLIMETERS |      |
|------------|-------------|------|
|            | MIN.        | MAX. |
| A          | 0.33        | 0.43 |
| A1         | 0.00        | 0.05 |
| A3         | 0.10        | REF  |
| <i>b</i>   | 0.15        | 0.25 |
| <i>b</i> 2 | 0.02        | 0.12 |
| D          | 1.00        | BSC  |
| D2         | 0.43        | 0.53 |
| E          | 1.00        | BSC  |
| <i>e</i>   | 0.65        | BSC  |
| L          | 0.20        | 0.30 |
| L2         | .07         | 0.17 |



### GENERIC MARKING DIAGRAM\*



\*This information is generic. Please refer to device data sheet for actual part marking. Pb-Free indicator, "G" or microdot "μ", may or may not be present. Some products may not follow the Generic Marking.

|                         |                              |  |
|-------------------------|------------------------------|--|
| <b>DOCUMENT NUMBER:</b> | <b>98AON67179E</b>           | Electronic versions are uncontrolled except when accessed directly from the Document Repository. Printed versions are uncontrolled except when stamped "CONTROLLED COPY" in red. |
| <b>DESCRIPTION:</b>     | <b>XDFN4, 1.0X1.0, 0.65P</b> | <b>PAGE 1 OF 1</b>   |

ON Semiconductor and ON are trademarks of Semiconductor Components Industries, LLC dba ON Semiconductor or its subsidiaries in the United States and/or other countries. ON Semiconductor reserves the right to make changes without further notice to any products herein. ON Semiconductor makes no warranty, representation or guarantee regarding the suitability of its products for any particular purpose, nor does ON Semiconductor assume any liability arising out of the application or use of any product or circuit, and specifically disclaims any and all liability, including without limitation special, consequential or incidental damages. ON Semiconductor does not convey any license under its patent rights nor the rights of others.