



COAXIAL

Adapter

NF-NMR50+

50Ω DC to 6 GHz Right Angle N-Female to N-Male

THE BIG DEAL

- Low insertion loss, 0.10 dB typ. up to 6 GHz
- Excellent VSWR, 1.04 typ. up to 6 GHz
- Low cost adapters, available from stock
- Passivated stainless steel body and gold-plated beryllium copper center connector



Generic photo used for illustration purposes only

Model No.	NF-NMR50+
Case Style	DJ2575
Connectors	Right Angle N- Female to N- Male

+RoHS Compliant

The +Suffix identifies RoHS Compliance. See our website for methodologies and qualifications

APPLICATIONS

- Interconnection of RF cables and equipment
- Rack mounted test system

PRODUCT OVERVIEW

Mini-Circuits' NF-NMR50+ is a right-angle N-Female to N-Male adapter supporting a wide range of applications from DC to 6 GHz. This model provides excellent VSWR, low insertion loss, and flat response versus frequency. The NF-NMR50+ features passivated stainless steel body, nickel plated brass housing and Gold-plated beryllium copper center contact.

KEY FEATURES

Feature	Advantages
Wideband, DC to 6 GHz	Wide frequency range provides application flexibility and makes this model ideal for broadband and multi-band use.
Excellent VSWR, 1.04:1 typ. up to 6 GHz	Provides good matching for 50Ω systems and minimizes signal reflections across wide frequency range.
Low insertion loss, 0.10 dB typ. up to 6 GHz	Provides excellent signal power transmission from input to output.
Passivated stainless steel body and Gold-plated beryllium copper construction center contact	Stands up to wear and tear in demanding environments and provides excellent reliability.
Wide operating temperature range, -55 to +100 °C	Withstands tough operating conditions and is suitable for use near high power componentry where heat rise is common.

REV. A
ECO-016681
NF-NMR50+
MCL NY
230130





COAXIAL

Adapter

NF-NMR50+

50Ω DC to 6 GHz Right Angle N-Female to N-Male

ELECTRICAL SPECIFICATIONS AT 25°C

Parameter	Condition (GHz)	Min.	Typ.	Max.	Units
Frequency Range		DC		6	GHz
Insertion Loss	DC - 2	—	0.04	0.20	dB
	2 - 4	—	0.06	0.20	
	4 - 6	—	0.07	0.20	
VSWR	DC - 6	—	1.02	1.20	:1

ABSOLUTE MAXIMUM RATINGS

Parameter	Ratings
Operating Temperature	-55°C to 100°C
Storage Temperature	-55°C to 100°C

Permanent damage may occur if any of these limits are exceeded.



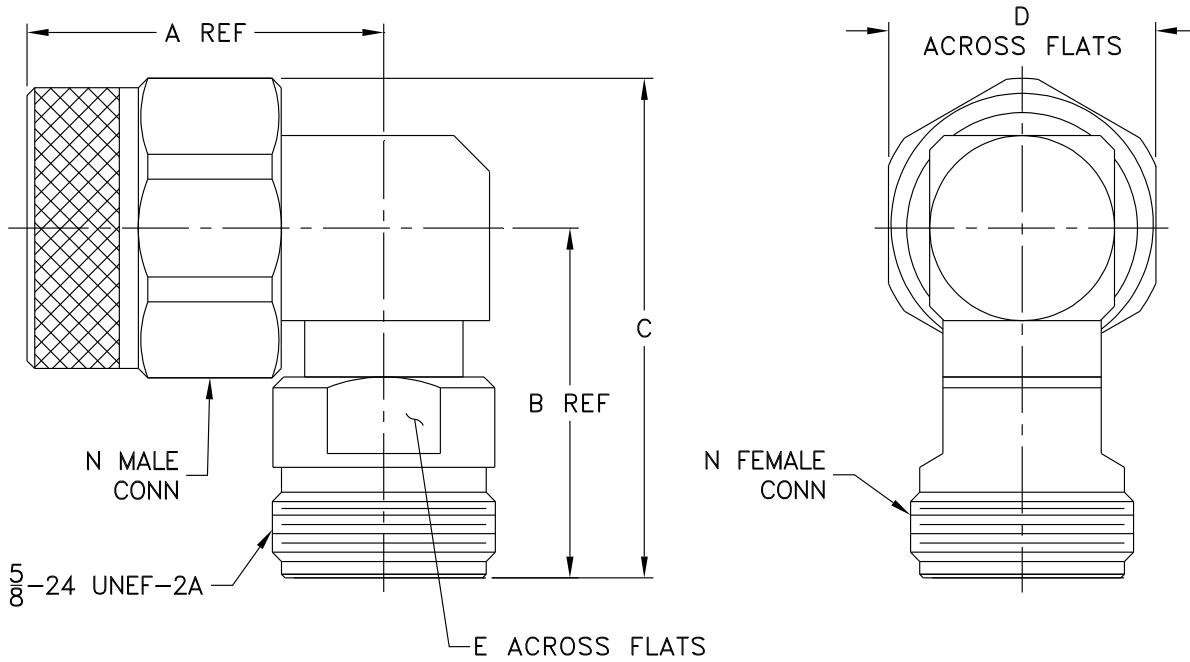
COAXIAL

Adapter

NF-NMR50+

50Ω DC to 6 GHz Right Angle N-Female to N-Male

OUTLINE DRAWING



OUTLINE DIMENSIONS (Inch/mm)

A	B	C	D	E	wt
1.00	0.98	1.400	0.748	.472	grams
25.40	24.89	35.54	19.00	12.00	56.3