



COAXIAL

Adapter

NFFL-SM50+

50Ω DC to 18 GHz N-Female to SMA-Male

THE BIG DEAL

- Ultra-wideband, DC-18 GHz
- Low Insertion Loss, 0.14 dB typ.
- Excellent VSWR, 1.17:1 typ.



Generic photo used for illustration purposes only

Model No.	NFFL-SM50+
Case Style	DJ1808-1
Connectors	N- Female to SMA- Male

+RoHS Compliant

The +Suffix identifies RoHS Compliance. See our website for methodologies and qualifications

APPLICATIONS

- Interconnection of RF cable and equipment
- Instrumentation

PRODUCT OVERVIEW

Mini-Circuits' NFFL-SM50+ is a N-Female to SMA-Male adapter supporting a wide range of applications from DC to 18 GHz. This model provides excellent VSWR, low insertion loss, and flat response versus frequency. The NFFL-SM50+ features tri-metal plated brass housing and Gold-plated beryllium copper construction center contact.

KEY FEATURES

Feature	Advantages
Wideband, DC to 18 GHz	Wide frequency range provides application flexibility and makes this model ideal for broadband and multi-band use.
Excellent VSWR <ul style="list-style-type: none"> • 1.17:1 typ. 	Provides good matching for 50Ω systems and minimizes signal reflections across wide frequency range.
Low Insertion Loss <ul style="list-style-type: none"> • 0.14 dB typ. 	Provides excellent signal power transmission from input to output.
Tri-metal plated brass housing and Gold-plated beryllium copper center contact	Stands up to wear and tear in demanding environments and provides excellent reliability.
Very wide operating temperature range, <ul style="list-style-type: none"> • -45 to +100 °C 	Withstands extreme operating conditions and is suitable for use near high power componentry where heat rise is common.

REV. A
ECO-016681
NFFL-SM50+
MCL NY
230130





COAXIAL

Adapter

NFFL-SM50+

50Ω DC to 18 GHz N-Female to SMA-Male

ELECTRICAL SPECIFICATIONS AT 25°C

Parameter	Condition (GHz)	Min.	Typ.	Max.	Units
Frequency Range		DC		18	GHz
Insertion Loss	DC - 18	–	0.05	–	dB
VSWR	DC - 8	–	1.05	1.30	:1
	8 - 12	–	1.19	1.30	
	12 - 18	–	1.17	1.30	

ABSOLUTE MAXIMUM RATINGS

Parameter	Ratings
Operating Temperature	-45°C to 100°C
Storage Temperature	-45°C to 100°C

Permanent damage may occur if any of these limits are exceeded.



COAXIAL

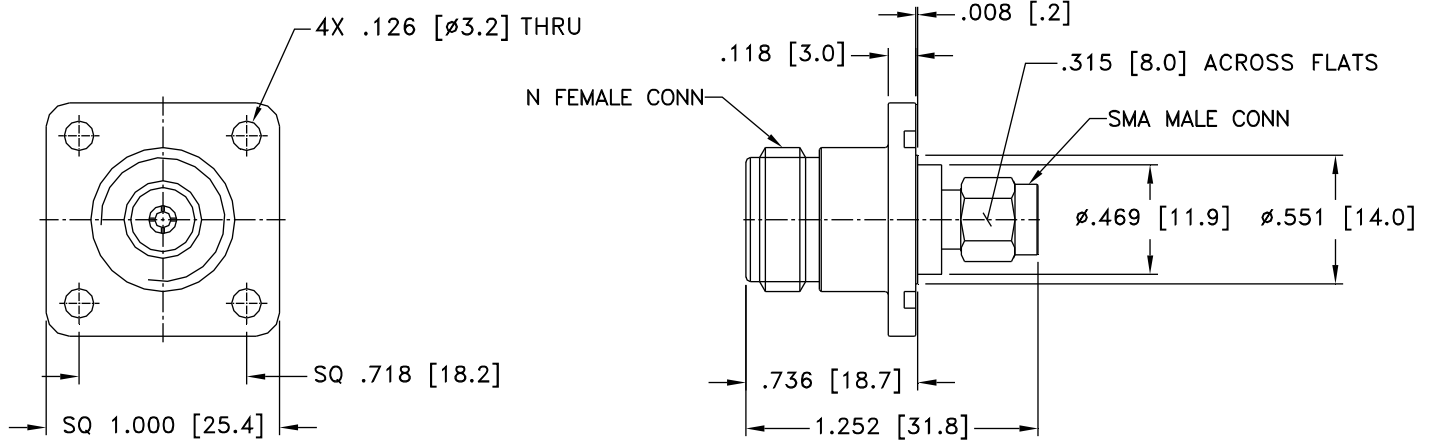
Adapter

NFFL-SM50+

Mini-Circuits

50Ω DC to 18 GHz N-Female to SMA-Male

OUTLINE DRAWING



Weight: 36 gram.

Dimensions are in inches [mm]