

ON Semiconductor

Is Now

onsemi™

To learn more about onsemi™, please visit our website at
www.onsemi.com

onsemi and **onsemi** and other names, marks, and brands are registered and/or common law trademarks of Semiconductor Components Industries, LLC dba "**onsemi**" or its affiliates and/or subsidiaries in the United States and/or other countries. **onsemi** owns the rights to a number of patents, trademarks, copyrights, trade secrets, and other intellectual property. A listing of **onsemi** product/patent coverage may be accessed at www.onsemi.com/site/pdf/Patent-Marking.pdf. **onsemi** reserves the right to make changes at any time to any products or information herein, without notice. The information herein is provided "as-is" and **onsemi** makes no warranty, representation or guarantee regarding the accuracy of the information, product features, availability, functionality, or suitability of its products for any particular purpose, nor does **onsemi** assume any liability arising out of the application or use of any product or circuit, and specifically disclaims any and all liability, including without limitation special, consequential or incidental damages. Buyer is responsible for its products and applications using **onsemi** products, including compliance with all laws, regulations and safety requirements or standards, regardless of any support or applications information provided by **onsemi**. "Typical" parameters which may be provided in **onsemi** data sheets and/or specifications can and do vary in different applications and actual performance may vary over time. All operating parameters, including "Typicals" must be validated for each customer application by customer's technical experts. **onsemi** does not convey any license under any of its intellectual property rights nor the rights of others. **onsemi** products are not designed, intended, or authorized for use as a critical component in life support systems or any FDA Class 3 medical devices or medical devices with a same or similar classification in a foreign jurisdiction or any devices intended for implantation in the human body. Should Buyer purchase or use **onsemi** products for any such unintended or unauthorized application, Buyer shall indemnify and hold **onsemi** and its officers, employees, subsidiaries, affiliates, and distributors harmless against all claims, costs, damages, and expenses, and reasonable attorney fees arising out of, directly or indirectly, any claim of personal injury or death associated with such unintended or unauthorized use, even if such claim alleges that **onsemi** was negligent regarding the design or manufacture of the part. **onsemi** is an Equal Opportunity/Affirmative Action Employer. This literature is subject to all applicable copyright laws and is not for resale in any manner. Other names and brands may be claimed as the property of others.

NIV6150 and NIV6350 Evaluation Board Manual



ON Semiconductor®

EVAL BOARD USER'S MANUAL

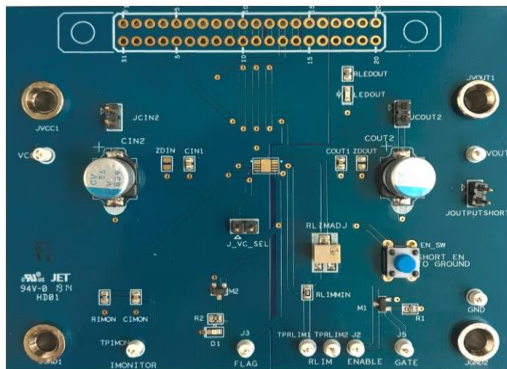


Figure 1: The evaluation board.

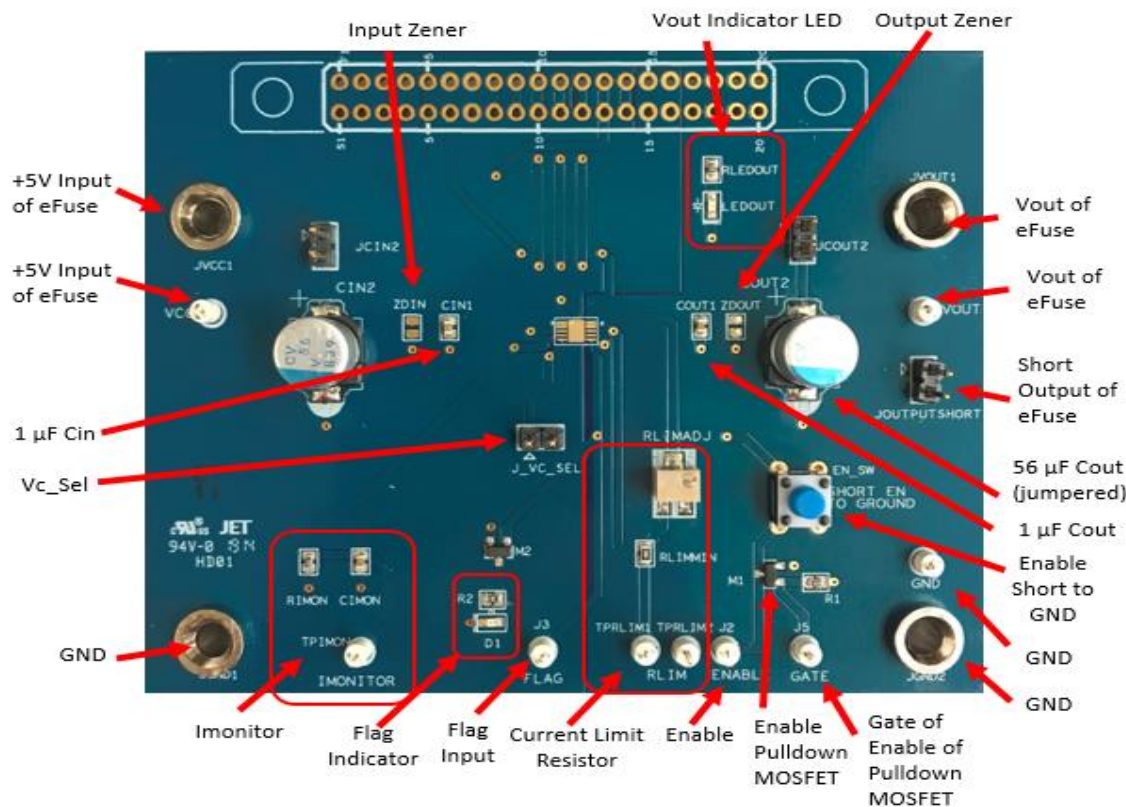


Figure 2: Features of the evaluation board.

NIV6150 and NIV6350 Evaluation Board Manual

Item	Qty	Reference	Part	DigikeyPN	Manufacturer	Manufacturer Part #	DNP
2	3	CIMON,COUT1,CIN1	1uF/50V 0603	587-2400-1-ND	Taiyo Yuden	UMK107BJ105KA-T	
3	2	CIN2,COUT2	56uF/35V	493-4385-1-ND	Nichicon	PCV1V560MCL1GS	
4	1	D1	LED0603-YELLOW	160-1448-1-ND	Lite-On Inc	LTST-C191KSKT	
6	1	LEDOUT	LED0603-GREEN	160-1888-1-ND	Lite-On Inc	LTST-C191TGKT	
7	9	All Test Points	TP-HOOK	36-5002-ND	Keystone Electronics	5002	
8	4	JCOUT2,JCIN2,JOUTPUTSHORT,J_VC_SEL	HDR-2	3M9447-ND	3M	961102-6404-AR	
9	4	JGND1,JGND2,JVout,JVCC	BANANA JACK	36-575-8-ND	Keystone Electronics	575-8	
10	2	M1,M2	2N7002KT1G	2N7002KT1GOSCT-ND	ON Semiconductor	2N7002KT1G	
12	2	RIMON, R2	1k 0603	P1.00KHCT-ND	Panasonic	ERJ-3EKF1001V	
15	1	RLIMADJ	20 Ohm	3214X-1-200ECT-ND	Bourns Inc.	3214X-1-200E	
16	1	RLIMMIN	0 Ohm 0603	P0.0GCT-ND	Panasonic	ERJ-3GEY0R00V	
20	2	R1, RLEDOUT	10k 0603	P10.0KHCT-ND	Panasonic	ERJ-3EKF1002V	
21	1	EN_SW	PB-SW	EG4369-ND	E-Switch	TL1105FF160Q	
23	2	ZDOUT,ZDIN			ON Semiconductor		DNP
25	1	-	CON40	S3314-ND	Sullins	EBC20DRTH	DNP

Figure 3: Bill of Materials.

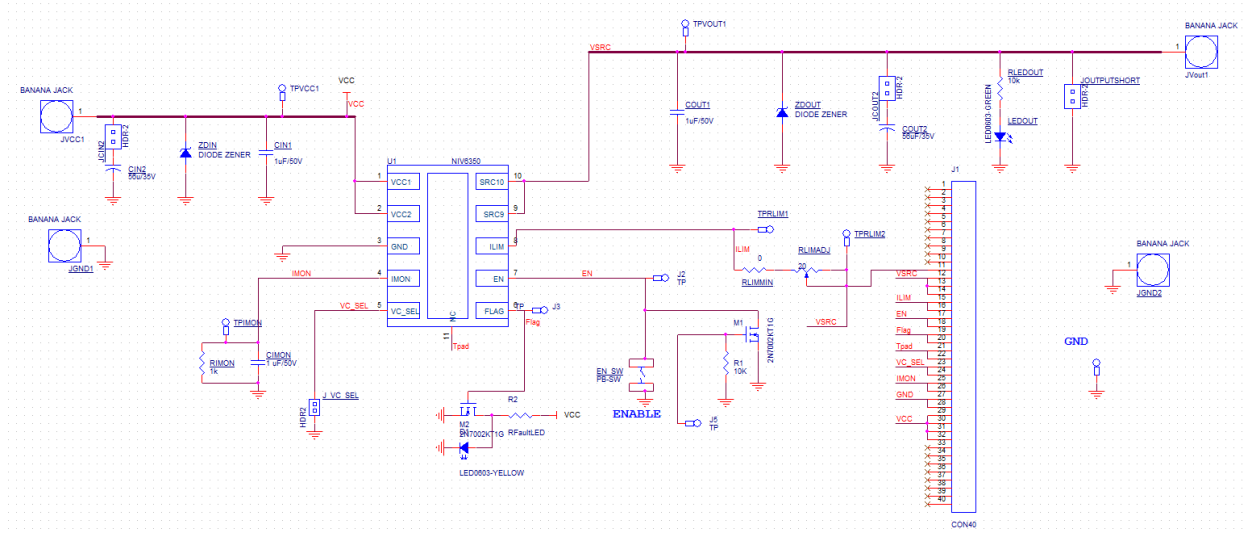


Figure 4: The NIS6150 Evaluation Board Schematic.

Instructions

During evaluation it is recommended to keep the 56 μ F input capacitor in place (leave the Cin jumper connected). Connect a 5 Vdc supply to the input and ground. The output may be connected to a load. Once this is done one green light will be on. This one is for the output voltage. Press the blue pushbutton switch, and notice that the green light turns off and the yellow fault indicator LED turns on. This means that the eFuse is in the off state.

There is a potentiometer to adjust the current limit set resistor from 0 Ω to 20 Ω . The output can be shorted in several ways. A jumper may be used (just below the Vout banana connector), or a cable can be connected from Vout to GND. When the short occurs there will be a dynamic event so be sure that the oscilloscope is ready to trigger and that the current probe is set to a high value.

NIV6150 and NIV6350 Evaluation Board Manual

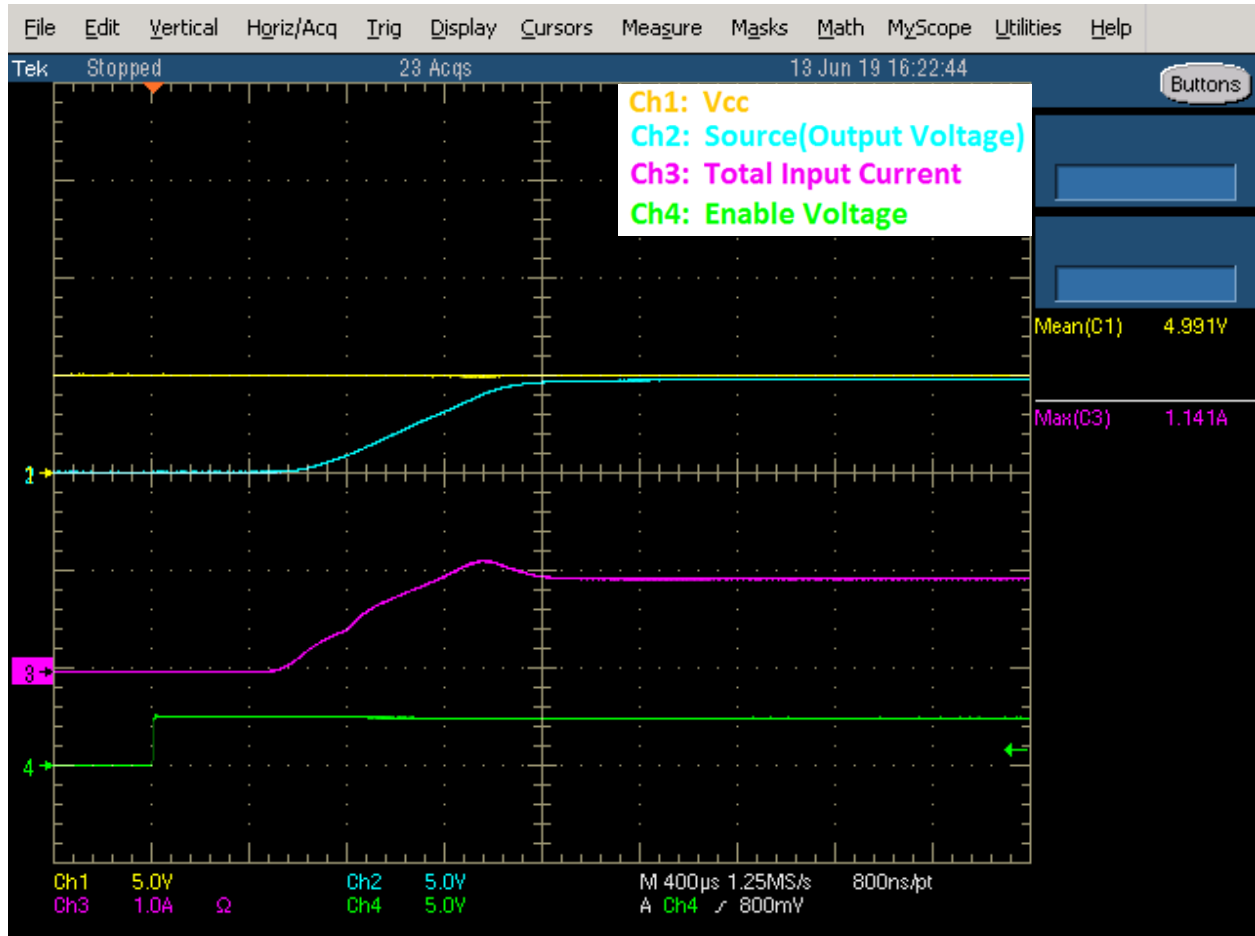


Figure 5: The eFuse turning on by ungrounding the enable pin. The controlled slew rate feature makes the output voltage to ramp up smoothly.

NIV6150 and NIV6350 Evaluation Board Manual

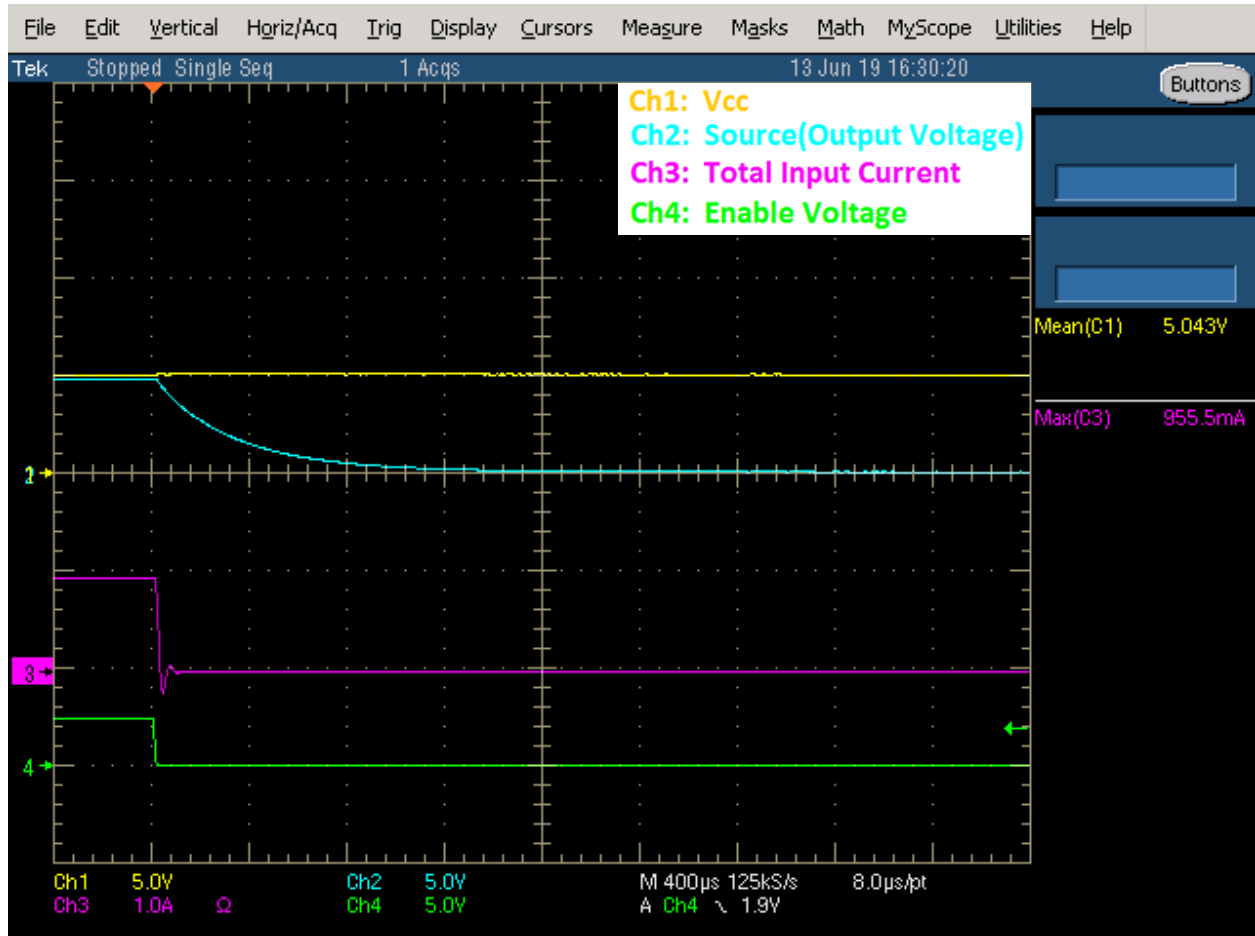


Figure 6: The eFuse turning off by grounding the EN pin.

NIV6150 and NIV6350 Evaluation Board Manual

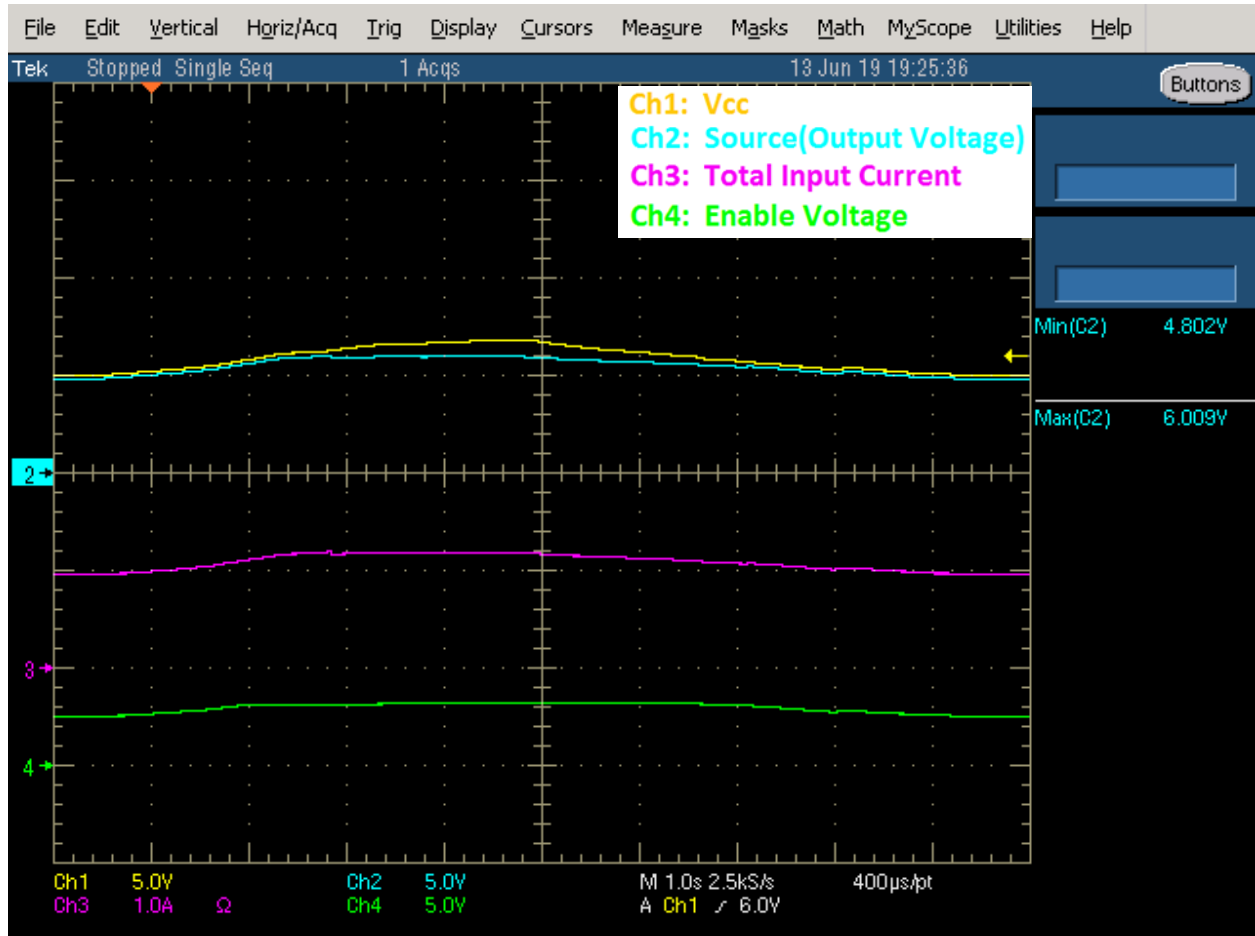


Figure 7: The input voltage brought high and then back down again to show the overvoltage clamping feature.

NIV6150 and NIV6350 Evaluation Board Manual

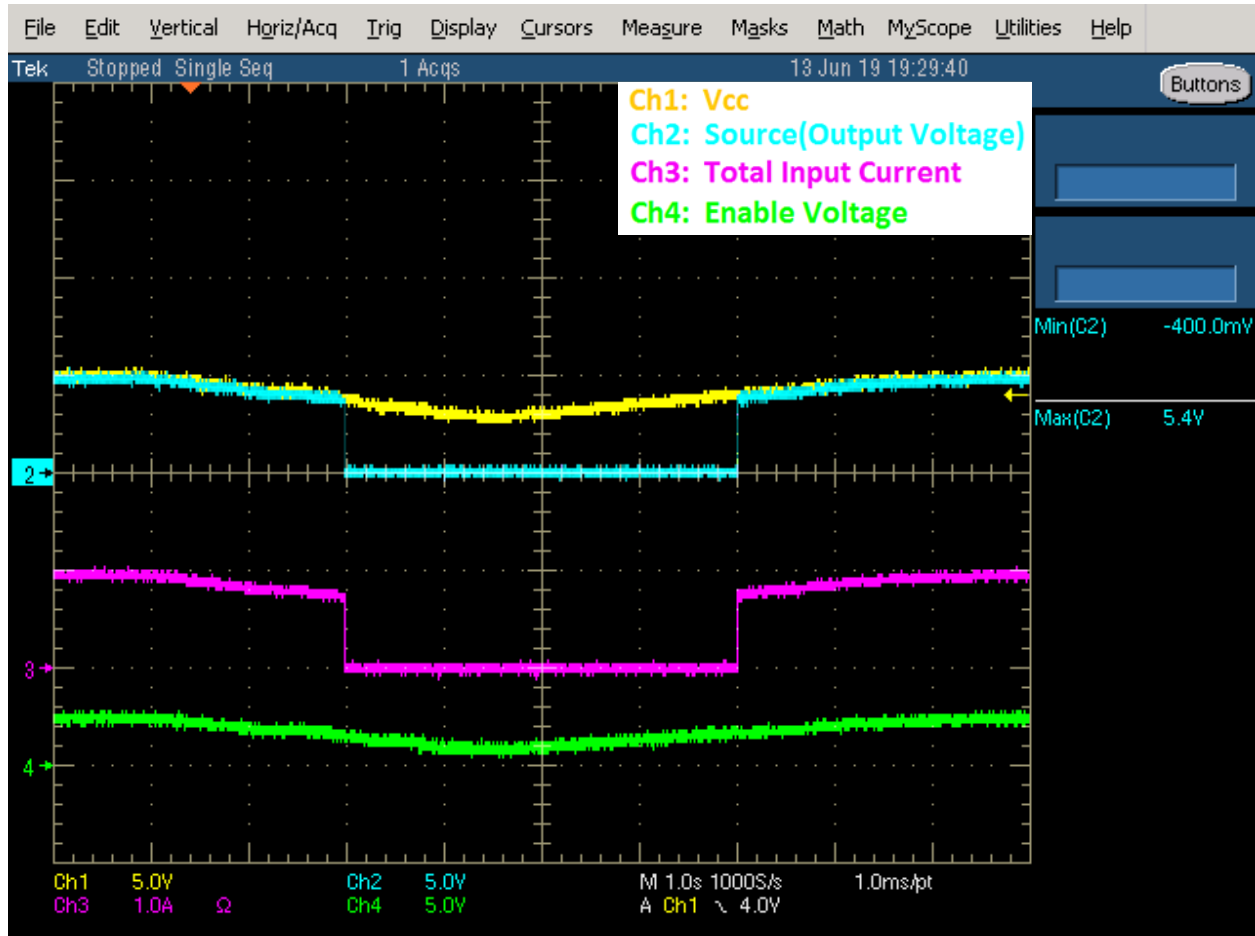


Figure 8: The input voltage brought low and then back high to show the undervoltage lockout feature.

NIV6150 and NIV6350 Evaluation Board Manual

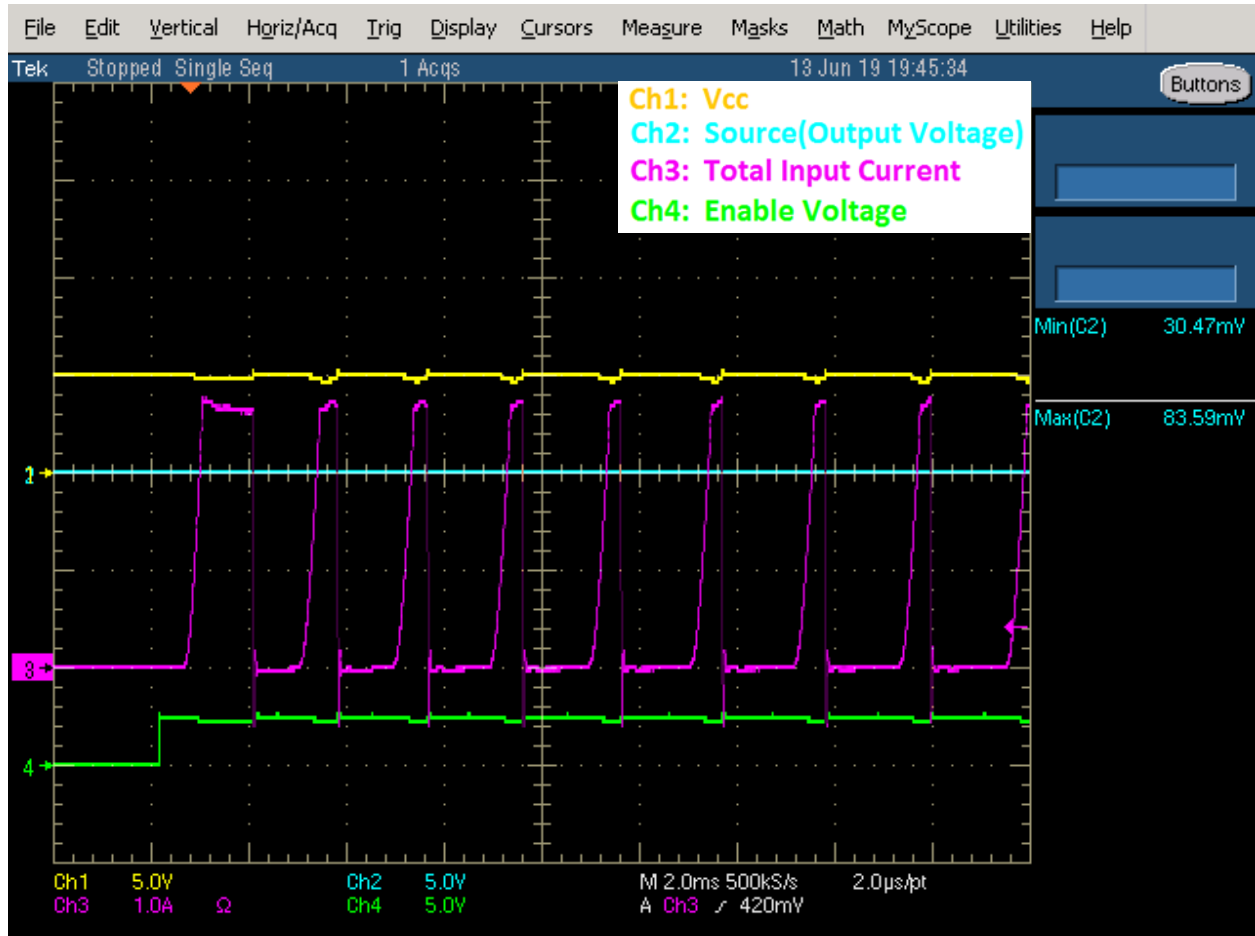


Figure 9: The eFuse auto-retrying with a low Rlim (MT2 version).

NIV6150 and NIV6350 Evaluation Board Manual

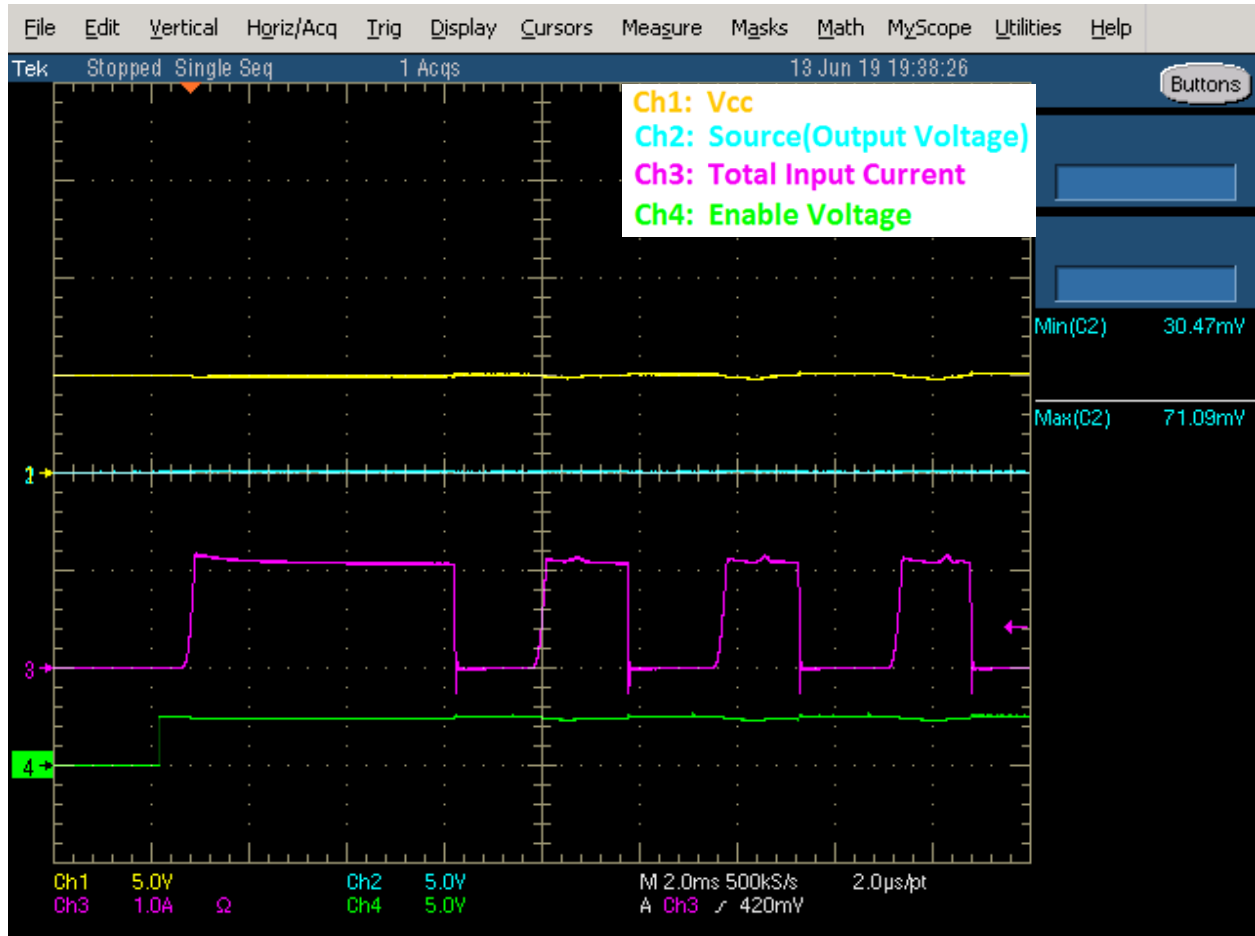


Figure 10: The eFuse auto-retrying with a high Rlim (MT2 version).