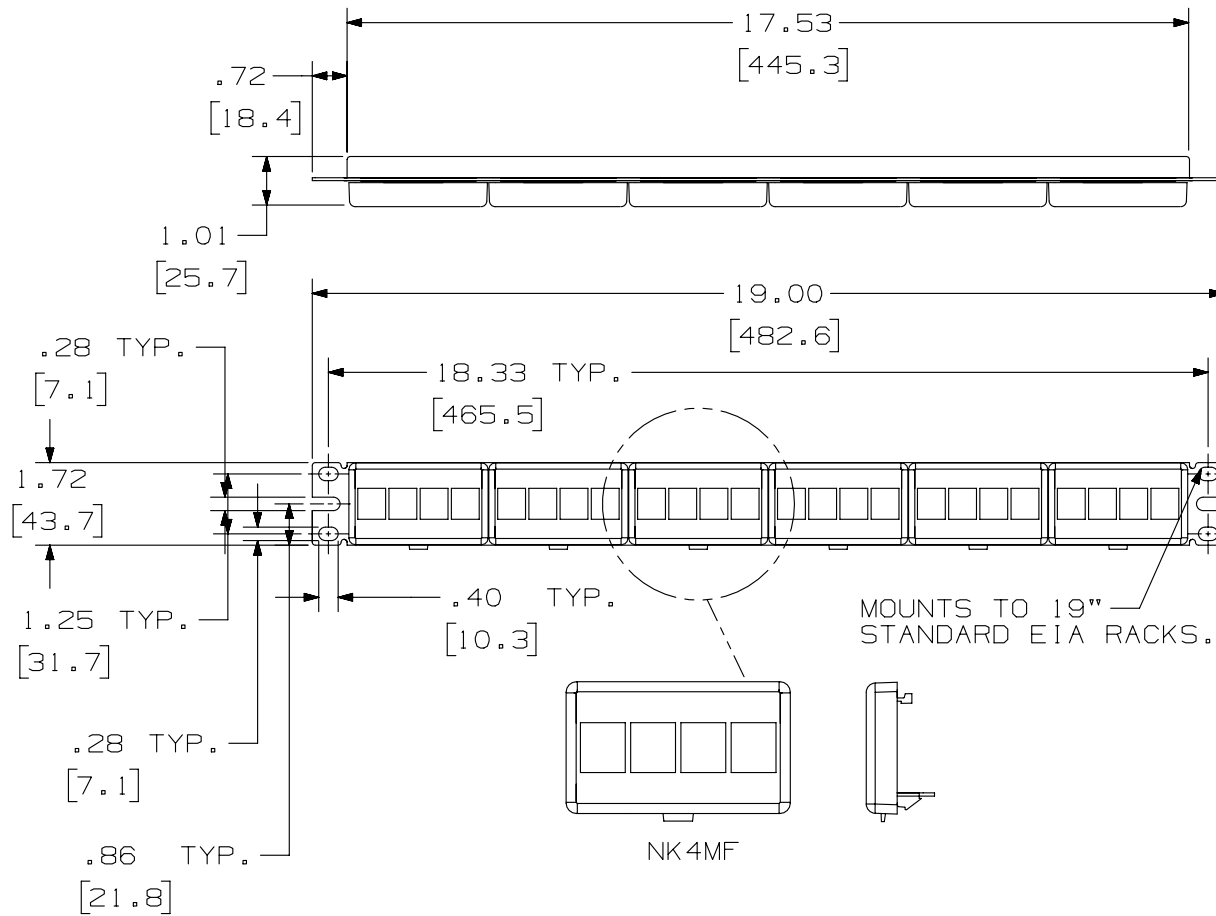
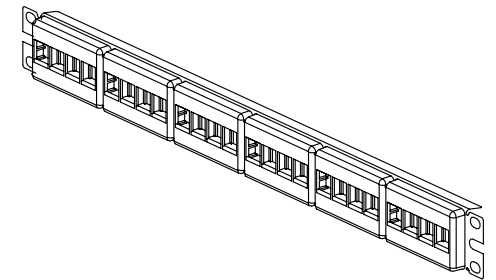


THIS COPY IS PROVIDED ON A RESTRICTED BASIS AND IS NOT TO BE USED IN ANY WAY DETRIMENTAL TO THE INTERESTS OF PANDUIT CORP.



PANDUIT PART NO.	WEIGHT
NKFP24Y	7.12 LB/10 PCS (3236 g/10 PCS)

- NOTES:
- SEE CURRENT CATALOG FOR VARIOUS APPLICATIONS WITH THIS WIRING SYSTEM.
  - PATCH PANEL IS DESIGNED FOR MOUNTING TO 19" STANDARD EIA RACKS.
  - PATCH PANELS ACCEPT ALL NETKEY MODULES.
  - DIMENSIONS IN [ ] ARE METRIC.
  - PART INCLUDES:
    - (1) -24 PORT STAMPING
    - (6) -FURNITURE FACEPLATE (ASSEMBLED TO STAMPING)
    - (1) -SCREW KIT (INCLUDES FOUR #12-24 SCREWS)
    - (1) -SCREW KIT (INCLUDES FOUR M6 SCREWS)



PART NUMBER		NKFP24Y		
TITLE				
NETKEY 24 PORT MODULAR FACEPLATE PATCH PANEL				
CUSTOMER DRAWING				
ITEM REVISION NAME		M02479DK/00		
DATASET FILE NAME		M02479DK_DC91/00B		
UNLESS OTHERWISE SPECIFIED, DIMENSIONAL TOLERANCES ARE: IN [mm]				
.x ±		.xxx ± .010 [ .3 ]		
.xx ± .03 [ .8 ]		ANGLES ±		MATERIAL: PANEL: C.R.S. FACEPLATE: ABS
THIRD ANGLE PROJECTION				
DRAWING NUMBER:				02479-091
DRAWN BY	DATE	CHK	SCALE	SIZE
JSP	3-11-06	MJD	NONE	A
SHT 1 OF 1				

REV	DATE	BY	CHK	APR	DESCRIPTION	ECN
1	5/19/14	JSP	REFR	JCK	A. REVISED DRAWING TITLE BLOCK.	02479-091
R	3-11-06	JSP	MJD	MJD	RELEASED TO PRODUCTION	02479-091

D10100DA/14