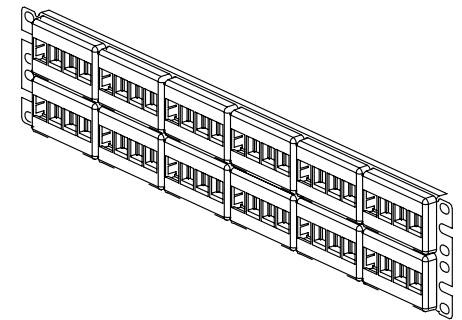
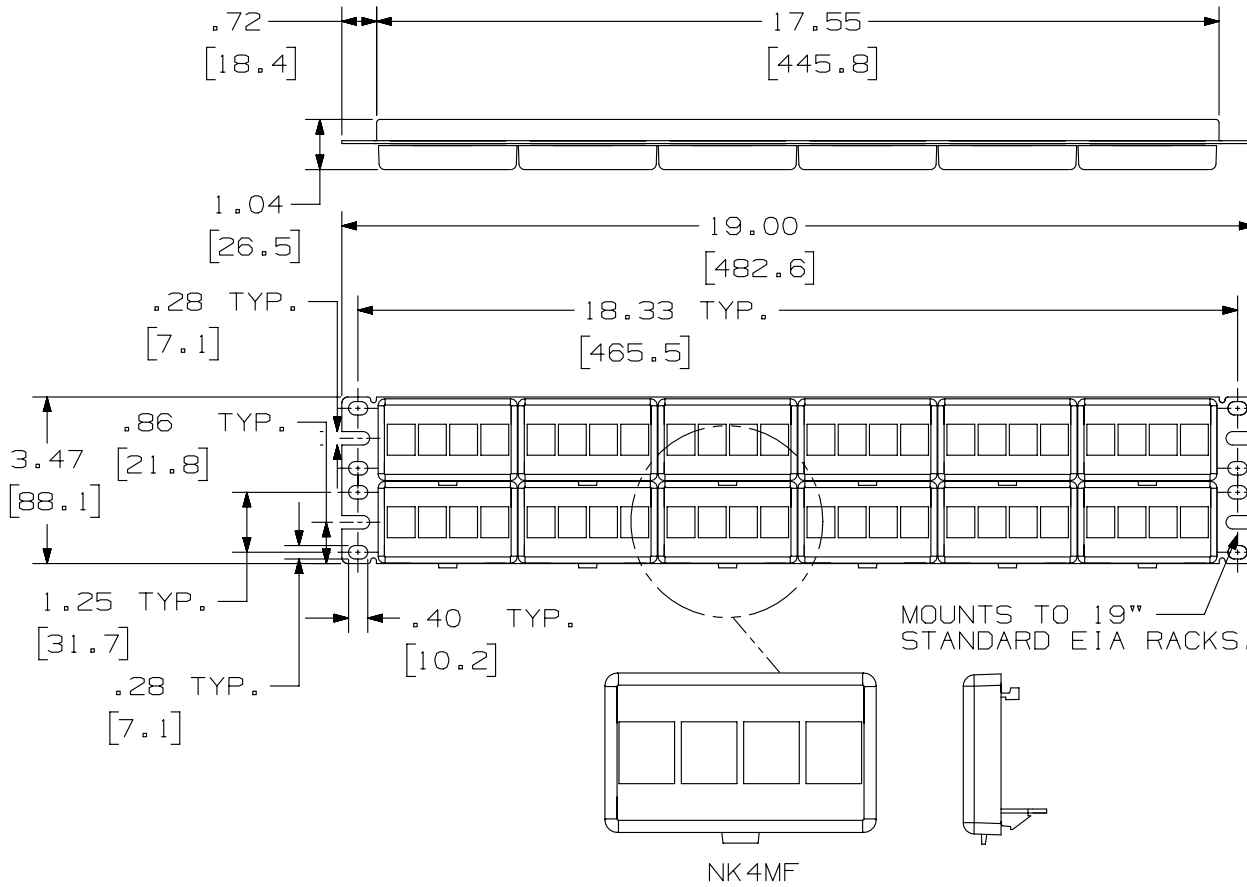


THIS COPY IS PROVIDED ON A RESTRICTED BASIS AND IS NOT TO BE USED IN ANY WAY DETRIMENTAL TO THE INTERESTS OF PANDUIT CORP.

PANDUIT PART NO.	WEIGHT
NKFP48Y	8.75 LB/10 PCS (3970 g/10 PCS)

NOTES:

1. SEE CURRENT CATALOG FOR VARIOUS APPLICATIONS WITH THIS WIRING SYSTEM.
2. PATCH PANEL IS DESIGNED FOR MOUNTING TO 19" STANDARD EIA RACKS.
3. PATCH PANELS ACCEPT ALL NETKEY MODULES.
4. DIMENSIONS IN [] ARE METRIC.
5. PART INCLUDES:
 - (1) -24 PORT STAMPING
 - (12) -FURNITURE FACEPLATE (ASSEMBLED TO STAMPING)
 - (1) -SCREW KIT (INCLUDES FOUR #12-24 SCREWS)
 - (1) -SCREW KIT (INCLUDES FOUR M6 SCREWS)



PART NUMBER		NKFP48Y		
TITLE				
NETKEY 48 PORT MODULAR FACEPLATE PATCH PANEL				
CUSTOMER DRAWING				
ITEM REVISION NAME		M02479DL/00		
DATASET FILE NAME		M02479DL_DC92/00B		
UNLESS OTHERWISE SPECIFIED, DIMENSIONAL TOLERANCES ARE: IN [mm]				
.x ±		.xxx ± .010 [.3]		
.xx ± .03 [.8]		ANGLES ±		MATERIAL: PANEL: C.R.S. FACEPLATE: ABS
		THIRD ANGLE PROJECTION		
DRAWN BY		DATE	CHK	SCALE
JSP		5/20/14	MJD	NONE
DRAWING NUMBER:				SIZE
02479-092				A
REV	DATE	BY	CHK	APR
1		JSP	REFR	JCK
R		JSP	MJD	MJD
DESCRIPTION				
A. REVISED DRAWING TITLE BLOCK.				
RELEASED TO PRODUCTION				
ECN				
02479-092				
02479-092				
SHT 1 OF 1				

D101000DA/14