

# NLSX5012

## 2-Bit 100 Mb/s Configurable Dual-Supply Level Translator

The NLSX5012 is a 2-bit configurable dual-supply autosensing bidirectional level translator that does not require a direction control pin. The I/O  $V_{CC}$ - and I/O  $V_L$ -ports are designed to track two different power supply rails,  $V_{CC}$  and  $V_L$  respectively. Both the  $V_{CC}$  and the  $V_L$  supply rails are configurable from 0.9 V to 4.5 V. This allows a logic signal on the  $V_L$  side to be translated to either a higher or a lower logic signal voltage on the  $V_{CC}$  side, and vice-versa.

The NLSX5012 offers the feature that the values of the  $V_{CC}$  and  $V_L$  supplies are independent. Design flexibility is maximized because  $V_L$  can be set to a value either greater than or less than the  $V_{CC}$  supply. In contrast, the majority of competitive auto sense translators have a restriction that the value of the  $V_L$  supply must be equal to less than ( $V_{CC} - 0.4$ ) V.

The NLSX5012 has high output current capability, which allows the translator to drive high capacitive loads such as most high frequency EMI filters. Another feature of the NLSX5012 is that each I/O  $V_{Ln}$  and I/O  $V_{CCn}$  channel can function as either an input or an output.

An Output Enable (EN) input is available to reduce the power consumption. The EN pin can be used to disable both I/O ports by putting them in 3-state which significantly reduces the supply current from both  $V_{CC}$  and  $V_L$ . The EN signal is referenced to the  $V_L$  supply.

### Features

- Wide  $V_{CC}$ ,  $V_L$  Operating Range: 0.9 V to 4.5 V
- $V_L$  and  $V_{CC}$  are independent
  - $V_L$  may be greater than, equal to, or less than  $V_{CC}$
- High 100 pF Capacitive Drive Capability
- High-Speed with 140 Mb/s Guaranteed Data Rate for  $V_{CC}$ ,  $V_L > 1.8$  V
- Low Bit-to-Bit Skew
- Overvoltage Tolerant Enable and I/O Pins
- Non-preferential Power-Up Sequencing
- Power-Off Protection
- Small packaging: UDFN8, SO-8, Micro8
- These are Pb-Free Devices

### Typical Applications

- Mobile Phones, PDAs, Other Portable Devices

### Important Information

- ESD Protection for All Pins:
  - ♦ HBM (Human Body Model) > 8000 V



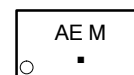
ON Semiconductor®

<http://onsemi.com>

### MARKING DIAGRAMS



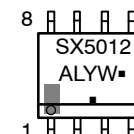
**UDFN8**  
**MU SUFFIX**  
**CASE 517AJ**



- VA = Specific Device Code
- M = Date Code
- = Pb-Free Package



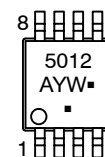
**SO-8**  
**D SUFFIX**  
**CASE 751**



- A = Assembly Location
- L = Wafer Lot
- Y = Year
- W = Work Week
- = Pb-Free Package



**Micro8**  
**DM SUFFIX**  
**CASE 846A**



- A = Assembly Location
- Y = Year
- W = Work Week
- = Pb-Free Package

### ORDERING INFORMATION

| Device        | Package          | Shipping†        |
|---------------|------------------|------------------|
| NLSX5012MUTAG | UDFN8 (Pb-Free)  | 3000/Tape & Reel |
| NLSX5012DR2G  | SO-8 (Pb-Free)   | 2500/Tape & Reel |
| NLSX5012DMR2G | Micro8 (Pb-Free) | 4000/Tape & Reel |

† For information on tape and reel specifications, including part orientation and tape sizes, please refer to our Tape and Reel Packaging Specification Brochure, BRD8011/D.

# NLSX5012

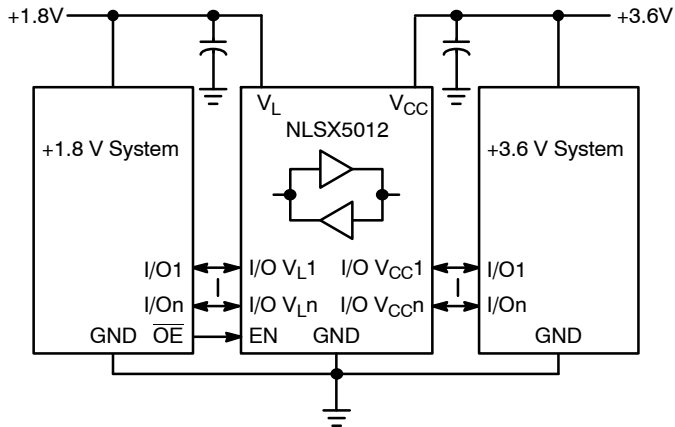


Figure 1. Typical Application Circuit

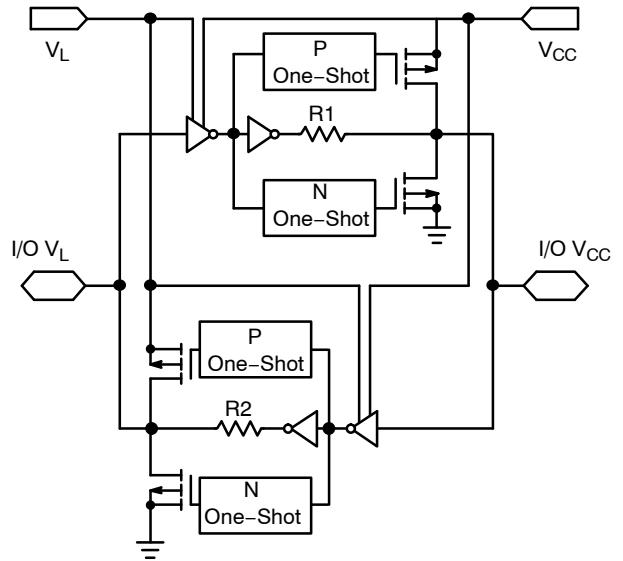


Figure 2. Simplified Functional Diagram (1 I/O Line)

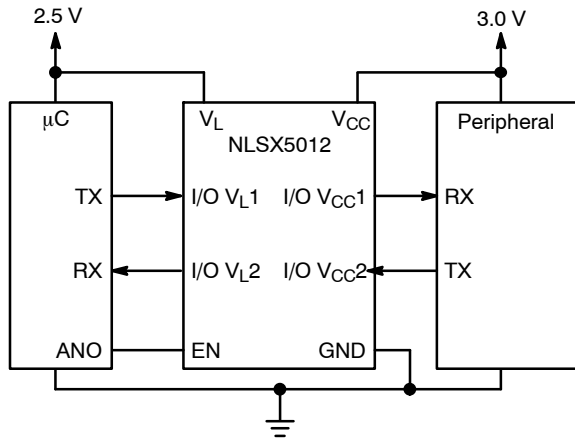


Figure 3. Application Example for  $V_L < V_{CC}$

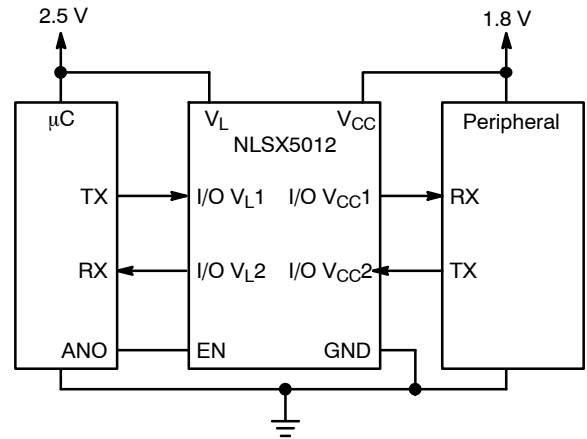


Figure 4. Application Example for  $V_L > V_{CC}$

# NLSX5012

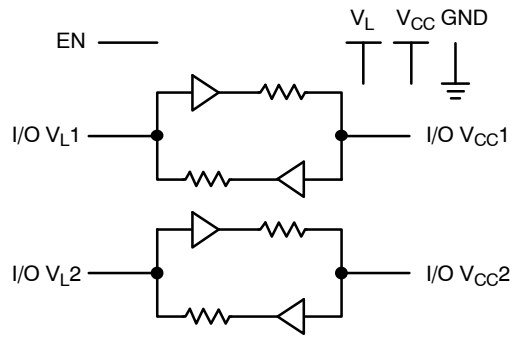


Figure 5. Logic Diagram

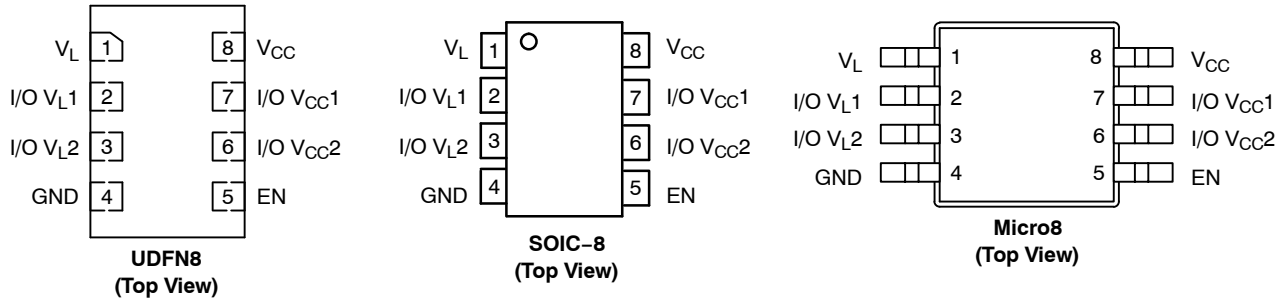


Figure 6. Pin Assignments

## PIN ASSIGNMENT

| Pins                 | Description                             |
|----------------------|---|
| V <sub>CC</sub>      | V <sub>CC</sub> Input Voltage           |
| V <sub>L</sub>       | V <sub>L</sub> Input Voltage            |
| GND                  | Ground                                  |
| EN                   | Output Enable                           |
| I/O V <sub>CCn</sub> | I/O Port, Referenced to V <sub>CC</sub> |
| I/O V <sub>Ln</sub>  | I/O Port, Referenced to V <sub>L</sub>  |

## FUNCTION TABLE

| EN | Operating Mode      |
|----|---------------------|
| L  | Hi-Z                |
| H  | I/O Buses Connected |

# NLSX5012

## MAXIMUM RATINGS

| Symbol       | Parameter                                    | Value        | Condition          | Unit               |
|--------------|--|--------------|--------------------|--------------------|
| $V_{CC}$     | High-side DC Supply Voltage                  | -0.5 to +5.5 |                    | V                  |
| $V_L$        | Low-side DC Supply Voltage                   | -0.5 to +5.5 |                    | V                  |
| I/O $V_{CC}$ | $V_{CC}$ -Referenced DC Input/Output Voltage | -0.5 to +5.5 |                    | V                  |
| I/O $V_L$    | $V_L$ -Referenced DC Input/Output Voltage    | -0.5 to +5.5 |                    | V                  |
| $V_I$        | Enable Control Pin DC Input Voltage          | -0.5 to +5.5 |                    | V                  |
| $I_{IK}$     | DC Input Diode Current                       | -50          | $V_I < \text{GND}$ | mA                 |
| $I_{OK}$     | DC Output Diode Current                      | -50          | $V_O < \text{GND}$ | mA                 |
| $I_{CC}$     | DC Supply Current Through $V_{CC}$           | $\pm 100$    |                    | mA                 |
| $I_L$        | DC Supply Current Through $V_L$              | $\pm 100$    |                    | mA                 |
| $I_{GND}$    | DC Ground Current Through Ground Pin         | $\pm 100$    |                    | mA                 |
| $T_{STG}$    | Storage Temperature                          | -65 to +150  |                    | $^{\circ}\text{C}$ |

Stresses exceeding Maximum Ratings may damage the device. Maximum Ratings are stress ratings only. Functional operation above the Recommended Operating Conditions is not implied. Extended exposure to stresses above the Recommended Operating Conditions may affect device reliability.

## RECOMMENDED OPERATING CONDITIONS

| Symbol              | Parameter   | Min                       | Max        | Unit               |
|---------------------|---|---------------------------|------------|--------------------|
| $V_{CC}$            | High-side Positive DC Supply Voltage  | 0.9                       | 4.5        | V                  |
| $V_L$               | Low-side Positive DC Supply Voltage   | 0.9                       | 4.5        | V                  |
| $V_I$               | Enable Control Pin Voltage  | GND                       | 4.5        | V                  |
| $V_{IO}$            | Bus Input/Output Voltage  | I/O $V_{CC}$<br>I/O $V_L$ | 4.5<br>4.5 | V                  |
| $T_A$               | Operating Temperature Range   | -55                       | +125       | $^{\circ}\text{C}$ |
| $\Delta t/\Delta V$ | Input Transition Rise or Rate<br>$V_I, V_{IO}$ from 30% to 70% of $V_{CC}$ ; $V_{CC} = 3.3 \text{ V} \pm 0.3 \text{ V}$ | 0                         | 10         | ns                 |

# NLSX5012

## DC ELECTRICAL CHARACTERISTICS

| Symbol              | Parameter   | Test Conditions<br>(Note 1)  | V <sub>CC</sub> (V)<br>(Note 2) | V <sub>L</sub> (V)<br>(Note 3) | -40°C to +85°C        |                 |                       | -55°C to +125°C       |                       | Unit |
|---------------------|---|--|---------------------------------|--------------------------------|-----------------------|-----------------|-----------------------|-----------------------|-----------------------|------|
|                     |   |  |                                 |                                | Min                   | Typ<br>(Note 4) | Max                   | Min                   | Max                   |      |
| V <sub>IHC</sub>    | I/O V <sub>CC</sub> Input HIGH Voltage              |  | 0.9 – 4.5                       | 0.9 – 4.5                      | 2/3 * V <sub>CC</sub> | –               | –                     | 2/3 * V <sub>CC</sub> | –                     | V    |
| V <sub>ILC</sub>    | I/O V <sub>CC</sub> Input LOW Voltage               |  | 0.9 – 4.5                       | 0.9 – 4.5                      | –                     | –               | 1/3 * V <sub>CC</sub> | –                     | 1/3 * V <sub>CC</sub> | V    |
| V <sub>IHL</sub>    | I/O V <sub>L</sub> Input HIGH Voltage               |  | 0.9 – 4.5                       | 0.9 – 4.5                      | 2/3 * V <sub>L</sub>  | –               | –                     | 2/3 * V <sub>L</sub>  | –                     | V    |
| V <sub>ILL</sub>    | I/O V <sub>L</sub> Input LOW Voltage                |  | 0.9 – 4.5                       | 0.9 – 4.5                      | –                     | –               | 1/3 * V <sub>L</sub>  | –                     | 1/3 * V <sub>L</sub>  | V    |
| V <sub>IH</sub>     | Control Pin Input HIGH Voltage                      | T <sub>A</sub> = +25°C   | 0.9 – 4.5                       | 0.9 – 4.5                      | 2/3 * V <sub>L</sub>  | –               | –                     | 2/3 * V <sub>L</sub>  | –                     | V    |
| V <sub>IL</sub>     | Control Pin Input LOW Voltage                       | T <sub>A</sub> = +25°C   | 0.9 – 4.5                       | 0.9 – 4.5                      | –                     | –               | 1/3 * V <sub>L</sub>  | –                     | 1/3 * V <sub>L</sub>  | V    |
| V <sub>OHC</sub>    | I/O V <sub>CC</sub> Output HIGH Voltage             | I/O V <sub>CC</sub> source current = 20 μA   | 0.9 – 4.5                       | 0.9 – 4.5                      | 0.9 * V <sub>CC</sub> | –               | –                     | 0.9 * V <sub>CC</sub> | –                     | V    |
| V <sub>OLC</sub>    | I/O V <sub>CC</sub> Output LOW Voltage              | I/O V <sub>CC</sub> sink current = 20 μA   | 0.9 – 4.5                       | 0.9 – 4.5                      | –                     | –               | 0.2                   | –                     | 0.2                   | V    |
| V <sub>OHL</sub>    | I/O V <sub>L</sub> Output HIGH Voltage              | I/O V <sub>L</sub> source current = 20 μA  | 0.9 – 4.5                       | 0.9 – 4.5                      | 0.9 * V <sub>L</sub>  | –               | –                     | 0.9 * V <sub>L</sub>  | –                     | V    |
| V <sub>OLL</sub>    | I/O V <sub>L</sub> Output LOW Voltage               | I/O V <sub>L</sub> sink current = 20 μA  | 0.9 – 4.5                       | 0.9 – 4.5                      | –                     | –               | 0.2                   | –                     | 0.2                   | V    |
| I <sub>QVCC</sub>   | V <sub>CC</sub> Supply Current                      | EN = V <sub>L</sub> , I <sub>O</sub> = 0 A,<br>(I/O V <sub>CC</sub> = 0 V or V <sub>CC</sub> , I/O V <sub>L</sub> = float)<br>or<br>(I/O V <sub>CC</sub> = float, I/O V <sub>L</sub> = 0 V or V <sub>L</sub> ) | 0.9 – 4.5                       | 0.9 – 4.5                      | –                     | –               | 1                     | –                     | 2.5                   | μA   |
| I <sub>QVL</sub>    | V <sub>L</sub> Supply Current                       |  | 0.9 – 4.5                       | 0.9 – 4.5                      | –                     | –               | 1                     | –                     | 2.5                   | μA   |
| I <sub>TS-VCC</sub> | V <sub>CC</sub> Tristate Output Mode Supply Current | T <sub>A</sub> = +25°C,<br>EN = 0 V<br>(I/O V <sub>CC</sub> = 0 V or V <sub>CC</sub> , I/O V <sub>L</sub> = float)<br>or<br>(I/O V <sub>CC</sub> = float, I/O V <sub>L</sub> = 0 V or V <sub>L</sub> )         | 0.9 – 4.5                       | 0.9 – 4.5                      | –                     | –               | 0.5                   | –                     | 1.5                   | μA   |
| I <sub>TS-VL</sub>  | V <sub>L</sub> Tristate Output Mode Supply Current  |  | 0.9 – 4.5                       | 0.9 – 4.5                      | –                     | –               | 0.5                   | –                     | 1.5                   | μA   |
| I <sub>OZ</sub>     | I/O Tristate Output Mode Leakage Current            | T <sub>A</sub> = +25°C,<br>EN = 0V   | 0.9 – 4.5                       | 0.9 – 4.5                      | –                     | –               | ±1                    | –                     | ±1.5                  | μA   |
| I <sub>I</sub>      | Control Pin Input Current                           | T <sub>A</sub> = +25°C   | 0.9 – 4.5                       | 0.9 – 4.5                      | –                     | –               | ±1                    | –                     | ±1                    | μA   |
| I <sub>OFF</sub>    | Power Off Leakage Current                           | I/O V <sub>CC</sub> = 0 to 4.5V,   | 0                               | 0                              | –                     | –               | 1                     | –                     | 1.5                   | μA   |
|                     |   | I/O V <sub>L</sub> = 0 to 4.5 V  | 0.9 – 4.5                       | 0                              | –                     | –               | 1                     | –                     | 1.5                   |      |
|                     |   |  | 0                               | 0.9 – 4.5                      | –                     | –               | 1                     | –                     | 1.5                   |      |

1. Normal test conditions are V<sub>I</sub> = 0 V, C<sub>I<sub>O</sub>V<sub>CC</sub></sub> ≤ 15 pF and C<sub>I<sub>O</sub>V<sub>L</sub></sub> ≤ 15 pF, unless otherwise specified.
2. V<sub>CC</sub> is the supply voltage associated with the I/O V<sub>CC</sub> port, and V<sub>CC</sub> ranges from +0.9 V to 4.5 V under normal operating conditions.
3. V<sub>L</sub> is the supply voltage associated with the I/O V<sub>L</sub> port, and V<sub>L</sub> ranges from +0.9 V to 4.5 V under normal operating conditions.
4. Typical values are for V<sub>CC</sub> = +2.8 V, V<sub>L</sub> = +1.8 V and T<sub>A</sub> = +25°C. All units are production tested at T<sub>A</sub> = +25°C. Limits over the operating temperature range are guaranteed by design.

# NLSX5012

## TIMING CHARACTERISTICS

| Symbol                       | Parameter   | Test Conditions<br>(Note 5)   | V <sub>CC</sub> (V)<br>(Note 6) | V <sub>L</sub> (V)<br>(Note 7) | -55°C to +125°C |                 |      | Unit |
|------------------------------|---|---|---------------------------------|--------------------------------|-----------------|-----------------|------|------|
|                              |   |   |                                 |                                | Min             | Typ<br>(Note 8) | Max  |      |
| t <sub>R-VCC</sub>           | I/O V <sub>CC</sub> Rise Time                       | C <sub>I OVCC</sub> = 15 pF   | 0.9 – 4.5                       | 0.9 – 4.5                      | –               | –               | 8.5  | nS   |
|                              |   |   | 1.8 – 4.5                       | 1.8 – 4.5                      | –               | –               | 3.5  |      |
| t <sub>F-VCC</sub>           | I/O V <sub>CC</sub> Fall Time                       | C <sub>I OVCC</sub> = 15 pF   | 0.9 – 4.5                       | 0.9 – 4.5                      | –               | –               | 8.5  | nS   |
|                              |   |   | 1.8 – 4.5                       | 1.8 – 4.5                      | –               | –               | 3.5  |      |
| t <sub>R-VL</sub>            | I/O V <sub>L</sub> Rise Time                        | C <sub>I OVL</sub> = 15 pF  | 0.9 – 4.5                       | 0.9 – 4.5                      | –               | –               | 8.5  | nS   |
|                              |   |   | 1.8 – 4.5                       | 1.8 – 4.5                      | –               | –               | 3.5  |      |
| t <sub>F-VL</sub>            | I/O V <sub>L</sub> Fall Time                        | C <sub>I OVL</sub> = 15 pF  | 0.9 – 4.5                       | 0.9 – 4.5                      | –               | –               | 8.5  | nS   |
|                              |   |   | 1.8 – 4.5                       | 1.8 – 4.5                      | –               | –               | 3.5  |      |
| Z <sub>OVCC</sub>            | I/O V <sub>CC</sub> One-Shot Output Impedance       | (Note 9)  | 0.9                             | 0.9 – 4.5                      | –               | 37              | –    | Ω    |
|                              |   |   | 1.8                             |                                | –               | 20              | –    |      |
|                              |   |   | 4.5                             |                                | –               | 6.0             | –    |      |
| Z <sub>OVL</sub>             | I/O V <sub>L</sub> One-Shot Output Impedance        | (Note 9)  | 0.9                             | 0.9 – 4.5                      | –               | 37              | –    | Ω    |
|                              |   |   | 1.8                             |                                | –               | 20              | –    |      |
|                              |   |   | 4.5                             |                                | –               | 6.0             | –    |      |
| t <sub>PD_VL-VCC</sub>       | Propagation Delay<br>(Driving I/O V <sub>CC</sub> ) | C <sub>I OVCC</sub> = 15 pF   | 0.9 – 4.5                       | 0.9 – 4.5                      | –               | –               | 35   | nS   |
|                              |   |   | 1.8 – 4.5                       | 1.8 – 4.5                      | –               | –               | 10   |      |
|                              |   | C <sub>I OVCC</sub> = 30 pF   | 0.9 – 4.5                       | 0.9 – 4.5                      | –               | –               | 35   |      |
|                              |   |   | 1.8 – 4.5                       | 1.8 – 4.5                      | –               | –               | 10   |      |
|                              |   | C <sub>I OVCC</sub> = 50 pF   | 1.0 – 4.5                       | 1.0 – 4.5                      | –               | –               | 37   |      |
|                              |   |   | 1.8 – 4.5                       | 1.8 – 4.5                      | –               | –               | 11   |      |
| C <sub>I OVCC</sub> = 100 pF | 1.2 – 4.5   | 1.2 – 4.5   | –                               | –                              | 40              |                 |      |      |
|                              | 1.8 – 4.5   | 1.8 – 4.5   | –                               | –                              | 13              |                 |      |      |
| t <sub>PD_VCC-VL</sub>       | Propagation Delay<br>(Driving I/O V <sub>L</sub> )  | C <sub>I OVL</sub> = 15 pF  | 0.9 – 4.5                       | 0.9 – 4.5                      | –               | –               | 35   | nS   |
|                              |   |   | 1.8 – 4.5                       | 1.8 – 4.5                      | –               | –               | 10   |      |
|                              |   | C <sub>I OVL</sub> = 30 pF  | 0.9 – 4.5                       | 0.9 – 4.5                      | –               | –               | 35   |      |
|                              |   |   | 1.8 – 4.5                       | 1.8 – 4.5                      | –               | –               | 10   |      |
|                              |   | C <sub>I OVL</sub> = 50 pF  | 1.0 – 4.5                       | 1.0 – 4.5                      | –               | –               | 37   |      |
|                              |   |   | 1.8 – 4.5                       | 1.8 – 4.5                      | –               | –               | 11   |      |
| C <sub>I OVL</sub> = 100 pF  | 1.2 – 4.5   | 1.2 – 4.5   | –                               | –                              | 40              |                 |      |      |
|                              | 1.8 – 4.5   | 1.8 – 4.5   | –                               | –                              | 13              |                 |      |      |
| t <sub>SK</sub>              | Channel-to-Channel Skew                             | C <sub>I OVCC</sub> = 15 pF, C <sub>I OVL</sub> = 15 pF<br>(Note 9)   | 0.9 – 4.5                       | 0.9 – 4.5                      | –               | –               | 0.15 | nS   |
| I <sub>IN_PEAK</sub>         | Input Driver Maximum Peak Current                   | EN = V <sub>L</sub> ;<br>I/O_V <sub>CC</sub> = 1 MHz Square Wave,<br>Amplitude = V <sub>CC</sub> , or<br>I/O_V <sub>L</sub> = 1 MHz Square Wave,<br>Amplitude = V <sub>L</sub> (Note 9) | 0.9 – 4.5                       | 0.9 – 4.5                      | –               | –               | 5.0  | mA   |

5. Normal test conditions are V<sub>I</sub> = 0 V, C<sub>I OVCC</sub> ≤ 15 pF and C<sub>I OVL</sub> ≤ 15 pF, unless otherwise specified.

6. V<sub>CC</sub> is the supply voltage associated with the I/O V<sub>CC</sub> port, and V<sub>CC</sub> ranges from +0.9 V to 4.5 V under normal operating conditions.

7. V<sub>L</sub> is the supply voltage associated with the I/O V<sub>L</sub> port, and V<sub>L</sub> ranges from +0.9 V to 4.5 V under normal operating conditions.

8. Typical values are for V<sub>CC</sub> = +2.8 V, V<sub>L</sub> = +1.8 V and T<sub>A</sub> = +25°C. All units are production tested at T<sub>A</sub> = +25°C. Limits over the operating temperature range are guaranteed by design.

9. Guaranteed by design.

# NLSX5012

## TIMING CHARACTERISTICS (continued)

| Symbol                              | Parameter                               | Test Conditions<br>(Note 10)       | V <sub>CC</sub> (V)<br>(Note 11)  | V <sub>L</sub> (V)<br>(Note 12) | -55°C to +125°C |                  |     | Unit |    |
|-------------------------------------|---|------------------------------------|---|---------------------------------|-----------------|------------------|-----|------|----|
|                                     |   |                                    |   |                                 | Min             | Typ<br>(Note 13) | Max |      |    |
| t <sub>EN-VCC</sub>                 | I/O_V <sub>CC</sub> Output Enable Time  | t <sub>PZH</sub>                   | C <sub>I<sub>O</sub>V<sub>CC</sub></sub> = 15 pF,<br>I/O_V <sub>L</sub> = V <sub>L</sub>  | 0.9 – 4.5                       | 0.9 – 4.5       | –                | –   | 160  | nS |
|                                     |   | t <sub>PZL</sub>                   | C <sub>I<sub>O</sub>V<sub>CC</sub></sub> = 15 pF,<br>I/O_V <sub>L</sub> = 0 V             | 0.9 – 4.5                       | 0.9 – 4.5       | –                | –   | 130  |    |
| t <sub>EN-VL</sub>                  | I/O_V <sub>L</sub> Output Enable Time   | t <sub>PZH</sub>                   | C <sub>I<sub>O</sub>V<sub>L</sub></sub> = 15 pF,<br>I/O_V <sub>CC</sub> = V <sub>CC</sub> | 0.9 – 4.5                       | 0.9 – 4.5       | –                | –   | 160  | nS |
|                                     |   | t <sub>PZL</sub>                   | C <sub>I<sub>O</sub>V<sub>L</sub></sub> = 15 pF,<br>I/O_V <sub>CC</sub> = 0 V             | 0.9 – 4.5                       | 0.9 – 4.5       | –                | –   | 130  |    |
| t <sub>DIS-VCC</sub>                | I/O_V <sub>CC</sub> Output Disable Time | t <sub>PHZ</sub>                   | C <sub>I<sub>O</sub>V<sub>CC</sub></sub> = 15 pF,<br>I/O_V <sub>L</sub> = V <sub>L</sub>  | 0.9 – 4.5                       | 0.9 – 4.5       | –                | –   | 210  | nS |
|                                     |   | t <sub>PLZ</sub>                   | C <sub>I<sub>O</sub>V<sub>CC</sub></sub> = 15 pF,<br>I/O_V <sub>L</sub> = 0 V             | 0.9 – 4.5                       | 0.9 – 4.5       | –                | –   | 175  |    |
| t <sub>DIS-VL</sub>                 | I/O_V <sub>L</sub> Output Disable Time  | t <sub>PHZ</sub>                   | C <sub>I<sub>O</sub>V<sub>L</sub></sub> = 15 pF,<br>I/O_V <sub>CC</sub> = V <sub>CC</sub> | 0.9 – 4.5                       | 0.9 – 4.5       | –                | –   | 210  | nS |
|                                     |   | t <sub>PLZ</sub>                   | C <sub>I<sub>O</sub>V<sub>L</sub></sub> = 15 pF,<br>I/O_V <sub>CC</sub> = 0 V             | 0.9 – 4.5                       | 0.9 – 4.5       | –                | –   | 175  |    |
| MDR                                 | Maximum Data Rate                       | C <sub>I<sub>O</sub></sub> = 15 pF | 0.9 – 4.5   | 0.9 – 4.5                       | 50              | –                | –   | mbps |    |
|                                     |   |                                    | 1.8 – 4.5   | 1.8 – 4.5                       | 140             | –                | –   |      |    |
|                                     |   | C <sub>I<sub>O</sub></sub> = 30 pF | 0.9 – 4.5   | 0.9 – 4.5                       | 40              | –                | –   |      |    |
|                                     |   |                                    | 1.8 – 4.5   | 1.8 – 4.5                       | 120             | –                | –   |      |    |
|                                     |   | C <sub>I<sub>O</sub></sub> = 50 pF | 1.0 – 4.5   | 1.0 – 4.5                       | 30              | –                | –   |      |    |
|                                     |   |                                    | 1.8 – 4.5   | 1.8 – 4.5                       | 100             | –                | –   |      |    |
| C <sub>I<sub>O</sub></sub> = 100 pF | 1.2 – 4.5                               | 1.2 – 4.5                          | 20  | –                               | –               |                  |     |      |    |
|                                     | 1.8 – 4.5                               | 1.8 – 4.5                          | 60  | –                               | –               |                  |     |      |    |

10. Normal test conditions are V<sub>I</sub> = 0 V, C<sub>I<sub>O</sub>V<sub>CC</sub></sub> ≤ 15 pF and C<sub>I<sub>O</sub>V<sub>L</sub></sub> ≤ 15 pF, unless otherwise specified.

11. V<sub>CC</sub> is the supply voltage associated with the I/O V<sub>CC</sub> port, and V<sub>CC</sub> ranges from +0.9 V to 4.5 V under normal operating conditions.

12. V<sub>L</sub> is the supply voltage associated with the I/O V<sub>L</sub> port, and V<sub>L</sub> ranges from +0.9 V to 4.5 V under normal operating conditions.

13. Typical values are for V<sub>CC</sub> = +2.8 V, V<sub>L</sub> = +1.8 V and T<sub>A</sub> = +25°C. All units are production tested at T<sub>A</sub> = +25°C. Limits over the operating temperature range are guaranteed by design.

# NLSX5012

## DYNAMIC POWER CONSUMPTION ( $T_A = +25^\circ\text{C}$ )

| Symbol              | Parameter   | Test Conditions  | V <sub>CC</sub> (V)<br>(Note 14) | V <sub>L</sub> (V)<br>(Note 15) | Typ<br>(Note 16) | Unit |
|---------------------|---|--|----------------------------------|---------------------------------|------------------|------|
| C <sub>PD_VL</sub>  | V <sub>L</sub> = Input port,<br>V <sub>CC</sub> = Output Port | C <sub>Load</sub> = 0, f = 1 MHz,<br>EN = V <sub>L</sub> (outputs enabled) | 0.9                              | 4.5                             | 39               | pF   |
|                     |   |  | 1.5                              | 1.8                             | 20               |      |
|                     |   |  | 1.8                              | 1.5                             | 17               |      |
|                     |   |  | 1.8                              | 1.8                             | 14               |      |
|                     |   |  | 1.8                              | 2.8                             | 13               |      |
|                     |   |  | 2.5                              | 2.5                             | 14               |      |
|                     |   |  | 2.8                              | 1.8                             | 13               |      |
|                     |   |  | 4.5                              | 0.9                             | 19               |      |
|                     | V <sub>CC</sub> = Input port,<br>V <sub>L</sub> = Output Port | C <sub>Load</sub> = 0, f = 1 MHz,<br>EN = V <sub>L</sub> (outputs enabled) | 0.9                              | 4.5                             | 37               | pF   |
|                     |   |  | 1.5                              | 1.8                             | 30               |      |
|                     |   |  | 1.8                              | 1.5                             | 29               |      |
|                     |   |  | 1.8                              | 1.8                             | 29               |      |
|                     |   |  | 1.8                              | 2.8                             | 29               |      |
|                     |   |  | 2.5                              | 2.5                             | 30               |      |
| 2.8                 |   |  | 1.8                              | 29                              |                  |      |
| 4.5                 |   |  | 0.9                              | 19                              |                  |      |
| C <sub>PD_VCC</sub> | V <sub>L</sub> = Input port,<br>V <sub>CC</sub> = Output Port | C <sub>Load</sub> = 0, f = 1 MHz,<br>EN = V <sub>L</sub> (outputs enabled) | 0.9                              | 4.5                             | 29               | pF   |
|                     |   |  | 1.5                              | 1.8                             | 29               |      |
|                     |   |  | 1.8                              | 1.5                             | 29               |      |
|                     |   |  | 1.8                              | 1.8                             | 29               |      |
|                     |   |  | 1.8                              | 2.8                             | 29               |      |
|                     |   |  | 2.5                              | 2.5                             | 30               |      |
|                     |   |  | 2.8                              | 1.8                             | 29               |      |
|                     |   |  | 4.5                              | 0.9                             | 35               |      |
|                     | V <sub>CC</sub> = Input port,<br>V <sub>L</sub> = Output Port | C <sub>Load</sub> = 0, f = 1 MHz,<br>EN = V <sub>L</sub> (outputs enabled) | 0.9                              | 4.5                             | 21               | pF   |
|                     |   |  | 1.5                              | 1.8                             | 18               |      |
|                     |   |  | 1.8                              | 1.5                             | 18               |      |
|                     |   |  | 1.8                              | 1.8                             | 14               |      |
|                     |   |  | 1.8                              | 2.8                             | 13               |      |
|                     |   |  | 2.5                              | 2.5                             | 14               |      |
| 2.8                 |   |  | 1.8                              | 13                              |                  |      |
| 4.5                 |   |  | 0.9                              | 30                              |                  |      |

14. V<sub>CC</sub> is the supply voltage associated with the I/O V<sub>CC</sub> port, and V<sub>CC</sub> ranges from +0.9 V to 4.5 V under normal operating conditions.

15. V<sub>L</sub> is the supply voltage associated with the I/O V<sub>L</sub> port, and V<sub>L</sub> ranges from +0.9 V to 4.5 V under normal operating conditions.

16. Typical values are at T<sub>A</sub> = +25°C.

17. C<sub>PD\_VL</sub> and C<sub>PD\_VCC</sub> are defined as the value of the IC's equivalent capacitance from which the operating current can be calculated for the V<sub>L</sub> and V<sub>CC</sub> power supplies, respectively. I<sub>CC</sub> = I<sub>CC</sub> (dynamic) + I<sub>CC</sub> (static) ≈ I<sub>CC</sub>(operating) ≈ C<sub>PD</sub> × V<sub>CC</sub> × f<sub>IN</sub> × N<sub>SW</sub> where I<sub>CC</sub> = I<sub>CC\_VCC</sub> + I<sub>CC\_VL</sub> and N<sub>SW</sub> = total number of outputs switching.



# NLSX5012

## STATIC POWER CONSUMPTION ( $T_A = +25^\circ\text{C}$ )

| Symbol              | Parameter   | Test Conditions  | V <sub>CC</sub> (V)<br>(Note 18) | V <sub>L</sub> (V)<br>(Note 19) | Typ<br>(Note 20) | Unit |
|---------------------|---|--|----------------------------------|---------------------------------|------------------|------|
| C <sub>PD_VL</sub>  | V <sub>L</sub> = Input port,<br>V <sub>CC</sub> = Output Port | C <sub>Load</sub> = 0, f = 1 MHz,<br>EN = GND (outputs disabled) | 0.9                              | 4.5                             | 0.01             | pF   |
|                     |   |  | 1.5                              | 1.8                             | 0.01             |      |
|                     |   |  | 1.8                              | 1.5                             | 0.01             |      |
|                     |   |  | 1.8                              | 1.8                             | 0.01             |      |
|                     |   |  | 1.8                              | 2.8                             | 0.01             |      |
|                     |   |  | 2.5                              | 2.5                             | 0.01             |      |
|                     |   |  | 2.8                              | 1.8                             | 0.01             |      |
|                     | 4.5   | 0.9  | 0.01                             |                                 |                  |      |
|                     | V <sub>CC</sub> = Input port,<br>V <sub>L</sub> = Output Port | C <sub>Load</sub> = 0, f = 1 MHz,<br>EN = GND (outputs disabled) | 0.9                              | 4.5                             | 0.01             | pF   |
|                     |   |  | 1.5                              | 1.8                             | 0.01             |      |
|                     |   |  | 1.8                              | 1.5                             | 0.01             |      |
|                     |   |  | 1.8                              | 1.8                             | 0.01             |      |
|                     |   |  | 1.8                              | 2.8                             | 0.01             |      |
|                     |   |  | 2.5                              | 2.5                             | 0.01             |      |
| 2.8                 |   |  | 1.8                              | 0.01                            |                  |      |
| 4.5                 | 0.9   | 0.01   |                                  |                                 |                  |      |
| C <sub>PD_VCC</sub> | V <sub>L</sub> = Input port,<br>V <sub>CC</sub> = Output Port | C <sub>Load</sub> = 0, f = 1 MHz,<br>EN = GND (outputs disabled) | 0.9                              | 4.5                             | 0.01             | pF   |
|                     |   |  | 1.5                              | 1.8                             | 0.01             |      |
|                     |   |  | 1.8                              | 1.5                             | 0.01             |      |
|                     |   |  | 1.8                              | 1.8                             | 0.01             |      |
|                     |   |  | 1.8                              | 2.8                             | 0.01             |      |
|                     |   |  | 2.5                              | 2.5                             | 0.01             |      |
|                     |   |  | 2.8                              | 1.8                             | 0.01             |      |
|                     | 4.5   | 0.9  | 0.01                             |                                 |                  |      |
|                     | V <sub>CC</sub> = Input port,<br>V <sub>L</sub> = Output Port | C <sub>Load</sub> = 0, f = 1 MHz,<br>EN = GND (outputs disabled) | 0.9                              | 4.5                             | 0.01             | pF   |
|                     |   |  | 1.5                              | 1.8                             | 0.01             |      |
|                     |   |  | 1.8                              | 1.5                             | 0.01             |      |
|                     |   |  | 1.8                              | 1.8                             | 0.01             |      |
|                     |   |  | 1.8                              | 2.8                             | 0.01             |      |
|                     |   |  | 2.5                              | 2.5                             | 0.01             |      |
| 2.8                 |   |  | 1.8                              | 0.01                            |                  |      |
| 4.5                 | 0.9   | 0.01   |                                  |                                 |                  |      |

18. V<sub>CC</sub> is the supply voltage associated with the I/O V<sub>CC</sub> port, and V<sub>CC</sub> ranges from +0.9 V to 4.5 V under normal operating conditions.

19. V<sub>L</sub> is the supply voltage associated with the I/O V<sub>L</sub> port, and V<sub>L</sub> ranges from +0.9 V to 4.5 V under normal operating conditions.

20. Typical values are at T<sub>A</sub> = +25°C

# NLSX5012

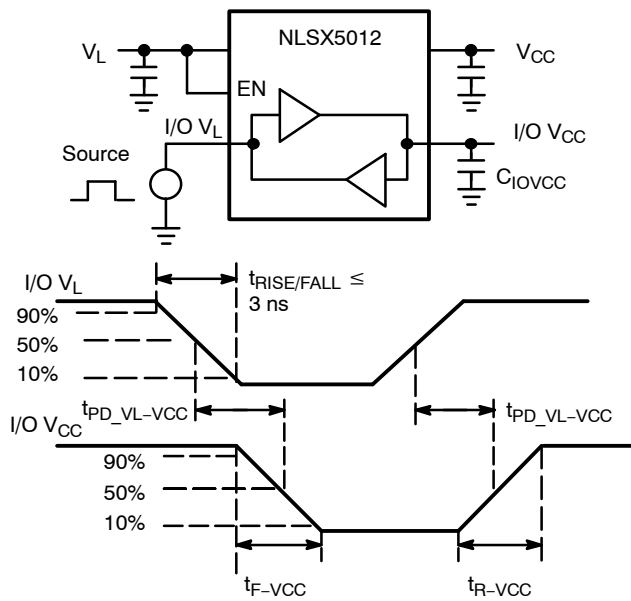


Figure 7. Driving I/O VL Test Circuit and Timing

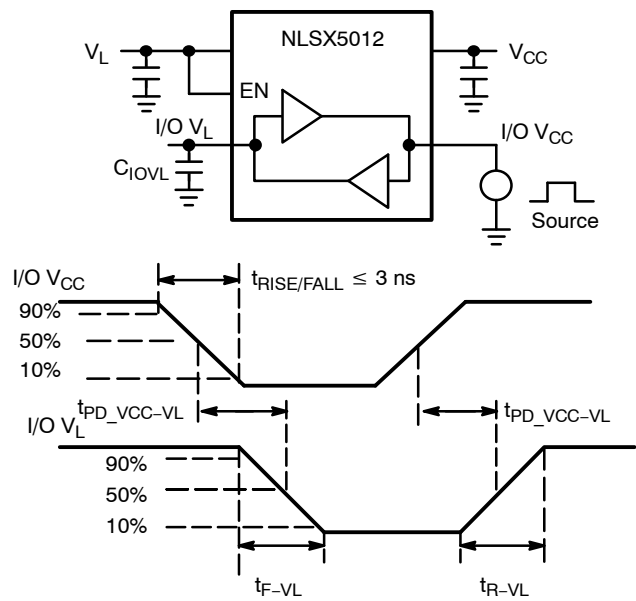
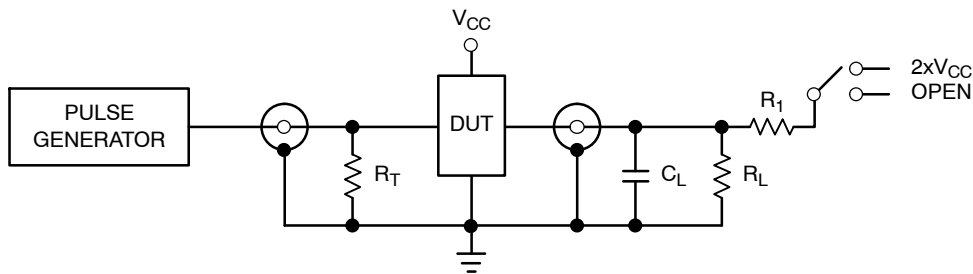


Figure 8. Driving I/O VCC Test Circuit and Timing



| Test               | Switch            |
|--------------------|-------------------|
| $t_{PZH}, t_{PHZ}$ | Open              |
| $t_{PZL}, t_{PLZ}$ | $2 \times V_{CC}$ |

$C_L = 15 \text{ pF}$  or equivalent (Includes jig and probe capacitance)  
 $R_L = R_1 = 50 \text{ k}\Omega$  or equivalent  
 $R_T = Z_{OUT}$  of pulse generator (typically  $50 \Omega$ )

Figure 9. Test Circuit for Enable/Disable Time Measurement

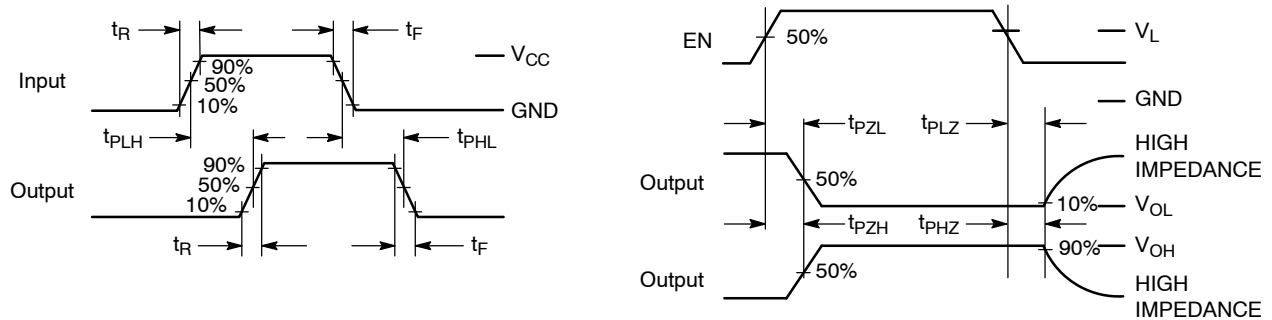


Figure 10. Timing Definitions for Propagation Delays and Enable/Disable Measurement

## IMPORTANT APPLICATIONS INFORMATION

### Level Translator Architecture

The NLSX5012 auto-sense translator provides bi-directional logic voltage level shifting to transfer data in multiple supply voltage systems. These level translators have two supply voltages,  $V_L$  and  $V_{CC}$ , which set the logic levels on the input and output sides of the translator. When used to transfer data from the I/O  $V_L$  to the I/O  $V_{CC}$  ports, input signals referenced to the  $V_L$  supply are translated to output signals with a logic level matched to  $V_{CC}$ . In a similar manner, the I/O  $V_{CC}$  to I/O  $V_L$  translation shifts input signals with a logic level compatible to  $V_{CC}$  to an output signal matched to  $V_L$ .

The NLSX5012 translator consists of bi-directional channels that independently determine the direction of the data flow without requiring a directional pin. One-shot circuits are used to detect the rising or falling input signals. In addition, the one-shots decrease the rise and fall times of the output signal for high-to-low and low-to-high transitions.

### Input Driver Requirements

Auto-sense translators such as the NLSX5012 have a wide bandwidth, but a relatively small DC output current rating. The high bandwidth of the bi-directional I/O circuit is used to quickly transform from an input to an output driver and vice versa. The I/O ports have a modest DC current output specification so that the output driver can be over driven when data is sent in the opposite direction. For proper operation, the input driver to the auto-sense translator should be capable of driving 2 mA of peak output current. The bi-directional configuration of the translator results in both input stages being active for a very short time period. Although the peak current from the input signal circuit is relatively large, the average current is small and consistent with a standard CMOS input stage.

### Enable Input (EN)

The NLSX5012 translator has an Enable pin (EN) that provides tri-state operation at the I/O pins. Driving the Enable pin to a low logic level minimizes the power consumption of the device and drives the I/O  $V_{CC}$  and I/O

$V_L$  pins to a high impedance state. Normal translation operation occurs when the EN pin is equal to a logic high signal. The EN pin is referenced to the  $V_L$  supply and has Over-Voltage Tolerant (OVT) protection.

### Uni-Directional versus Bi-Directional Translation

The NLSX5012 translator can function as a non-inverting uni-directional translator. One advantage of using the translator as a uni-directional device is that each I/O pin can be configured as either an input or output. The configurable input or output feature is especially useful in applications such as SPI that use multiple uni-directional I/O lines to send data to and from a device. The flexible I/O port of the auto sense translator simplifies the trace connections on the PCB.

### Power Supply Guidelines

The values of the  $V_L$  and  $V_{CC}$  supplies can be set to anywhere between 0.9 and 4.5 V. Design flexibility is maximized because  $V_L$  may be either greater than or less than the  $V_{CC}$  supply. In contrast, the majority of the competitive auto sense translators has a restriction that the value of the  $V_L$  supply must be equal to less than  $(V_{CC} - 0.4)$  V.

The sequencing of the power supplies will not damage the device during power-up operation. In addition, the I/O  $V_{CC}$  and I/O  $V_L$  pins are in the high impedance state if either supply voltage is equal to 0 V. For optimal performance, 0.01 to 0.1  $\mu$ F decoupling capacitors should be used on the  $V_L$  and  $V_{CC}$  power supply pins. Ceramic capacitors are a good design choice to filter and bypass any noise signals on the voltage lines to the ground plane of the PCB. The noise immunity will be maximized by placing the capacitors as close as possible to the supply and ground pins, along with minimizing the PCB connection traces.

The NLSX5012 translators have a power down feature that provides design flexibility. The output ports are disabled when either power supply is off ( $V_L$  or  $V_{CC} = 0$  V). This feature causes all of the I/O pins to be in the power saving high impedance state.

# MECHANICAL CASE OUTLINE

## PACKAGE DIMENSIONS

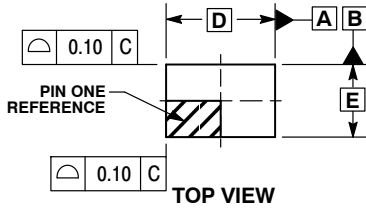
ON Semiconductor®



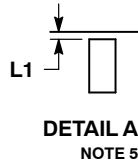
SCALE 4:1

UDFN8 1.8x1.2, 0.4P  
CASE 517AJ-01  
ISSUE O

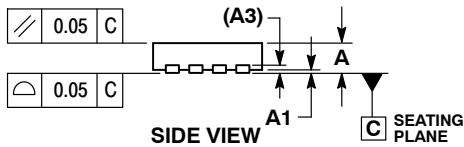
DATE 08 NOV 2006



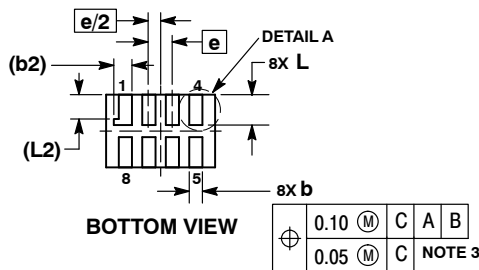
TOP VIEW



DETAIL A  
NOTE 5



SIDE VIEW



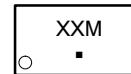
BOTTOM VIEW

NOTES:

1. DIMENSIONING AND TOLERANCING PER ASME Y14.5M, 1994.
2. CONTROLLING DIMENSION: MILLIMETERS.
3. DIMENSION b APPLIES TO PLATED TERMINAL AND IS MEASURED BETWEEN 0.15 AND 0.30 mm FROM TERMINAL TIP.
4. MOLD FLASH ALLOWED ON TERMINALS ALONG EDGE OF PACKAGE. FLASH MAY NOT EXCEED 0.03 ONTO BOTTOM SURFACE OF TERMINALS.
5. DETAIL A SHOWS OPTIONAL CONSTRUCTION FOR TERMINALS.

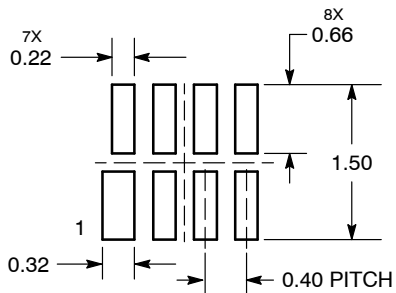
| DIM | MILLIMETERS |      |
|-----|-------------|------|
|     | MIN         | MAX  |
| A   | 0.45        | 0.55 |
| A1  | 0.00        | 0.05 |
| A3  | 0.127       | REF  |
| b   | 0.15        | 0.25 |
| b2  | 0.30        | REF  |
| D   | 1.80        | BSC  |
| E   | 1.20        | BSC  |
| e   | 0.40        | BSC  |
| L   | 0.45        | 0.55 |
| L1  | 0.00        | 0.03 |
| L2  | 0.40        | REF  |

GENERIC MARKING DIAGRAM\*



- XX = Specific Device Code
- M = Date Code
- = Pb-Free Package

MOUNTING FOOTPRINT  
SOLDERMASK DEFINED



DIMENSIONS: MILLIMETERS

\*This information is generic. Please refer to device data sheet for actual part marking. Pb-Free indicator, "G" or microdot "▪", may or may not be present.

|                  |                     |  |
|------------------|---------------------|--|
| DOCUMENT NUMBER: | 98AON23417D         | Electronic versions are uncontrolled except when accessed directly from the Document Repository. Printed versions are uncontrolled except when stamped "CONTROLLED COPY" in red. |
| DESCRIPTION:     | UDFN8 1.8X1.2, 0.4P | PAGE 1 OF 1  |

ON Semiconductor and ON are trademarks of Semiconductor Components Industries, LLC dba ON Semiconductor or its subsidiaries in the United States and/or other countries. ON Semiconductor reserves the right to make changes without further notice to any products herein. ON Semiconductor makes no warranty, representation or guarantee regarding the suitability of its products for any particular purpose, nor does ON Semiconductor assume any liability arising out of the application or use of any product or circuit, and specifically disclaims any and all liability, including without limitation special, consequential or incidental damages. ON Semiconductor does not convey any license under its patent rights nor the rights of others.

# MECHANICAL CASE OUTLINE PACKAGE DIMENSIONS

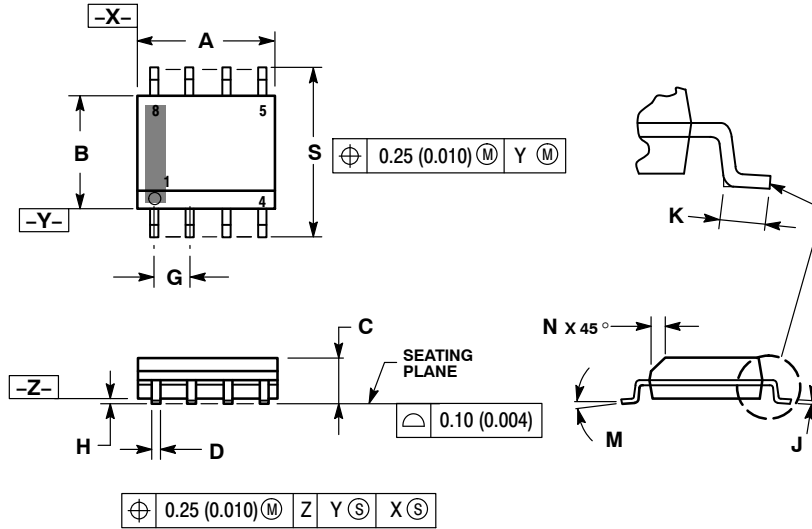
ON Semiconductor®



SCALE 1:1

SOIC-8 NB  
CASE 751-07  
ISSUE AK

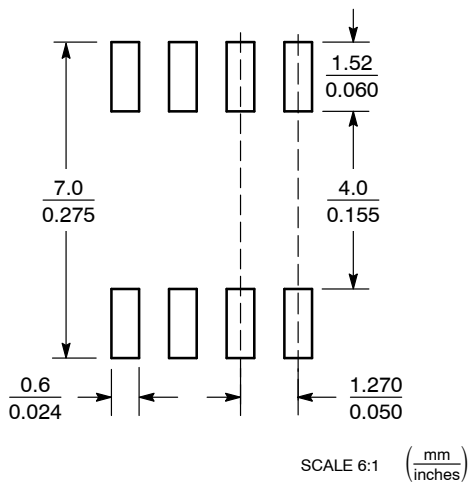
DATE 16 FEB 2011



- NOTES:
1. DIMENSIONING AND TOLERANCING PER ANSI Y14.5M, 1982.
  2. CONTROLLING DIMENSION: MILLIMETER.
  3. DIMENSION A AND B DO NOT INCLUDE MOLD PROTRUSION.
  4. MAXIMUM MOLD PROTRUSION 0.15 (0.006) PER SIDE.
  5. DIMENSION D DOES NOT INCLUDE DAMBAR PROTRUSION. ALLOWABLE DAMBAR PROTRUSION SHALL BE 0.127 (0.005) TOTAL IN EXCESS OF THE D DIMENSION AT MAXIMUM MATERIAL CONDITION.
  6. 751-01 THRU 751-06 ARE OBSOLETE. NEW STANDARD IS 751-07.

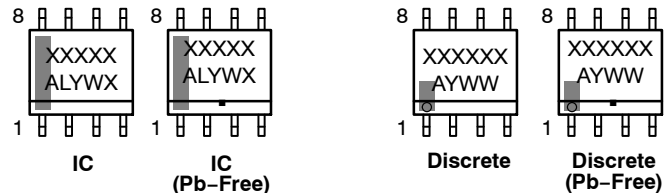
| DIM | MILLIMETERS |      | INCHES    |       |
|-----|-------------|------|-----------|-------|
|     | MIN         | MAX  | MIN       | MAX   |
| A   | 4.80        | 5.00 | 0.189     | 0.197 |
| B   | 3.80        | 4.00 | 0.150     | 0.157 |
| C   | 1.35        | 1.75 | 0.053     | 0.069 |
| D   | 0.33        | 0.51 | 0.013     | 0.020 |
| G   | 1.27 BSC    |      | 0.050 BSC |       |
| H   | 0.10        | 0.25 | 0.004     | 0.010 |
| J   | 0.19        | 0.25 | 0.007     | 0.010 |
| K   | 0.40        | 1.27 | 0.016     | 0.050 |
| M   | 0°          | 8°   | 0°        | 8°    |
| N   | 0.25        | 0.50 | 0.010     | 0.020 |
| S   | 5.80        | 6.20 | 0.228     | 0.244 |

### SOLDERING FOOTPRINT\*



\*For additional information on our Pb-Free strategy and soldering details, please download the ON Semiconductor Soldering and Mounting Techniques Reference Manual, SOLDERRM/D.

### GENERIC MARKING DIAGRAM\*



XXXXXX = Specific Device Code  
A = Assembly Location  
L = Wafer Lot  
Y = Year  
W = Work Week  
▪ = Pb-Free Package

XXXXXX = Specific Device Code  
A = Assembly Location  
Y = Year  
WW = Work Week  
▪ = Pb-Free Package

\*This information is generic. Please refer to device data sheet for actual part marking. Pb-Free indicator, "G" or microdot "▪", may or may not be present. Some products may not follow the Generic Marking.

STYLES ON PAGE 2

|                  |             |  |
|------------------|-------------|--|
| DOCUMENT NUMBER: | 98ASB42564B | Electronic versions are uncontrolled except when accessed directly from the Document Repository. Printed versions are uncontrolled except when stamped "CONTROLLED COPY" in red. |
| DESCRIPTION:     | SOIC-8 NB   | PAGE 1 OF 2  |

ON Semiconductor and ON are trademarks of Semiconductor Components Industries, LLC dba ON Semiconductor or its subsidiaries in the United States and/or other countries. ON Semiconductor reserves the right to make changes without further notice to any products herein. ON Semiconductor makes no warranty, representation or guarantee regarding the suitability of its products for any particular purpose, nor does ON Semiconductor assume any liability arising out of the application or use of any product or circuit, and specifically disclaims any and all liability, including without limitation special, consequential or incidental damages. ON Semiconductor does not convey any license under its patent rights nor the rights of others.

**SOIC-8 NB**  
**CASE 751-07**  
**ISSUE AK**

DATE 16 FEB 2011

- |  |   |   |   |
|--|---|---|---|
| <p><b>STYLE 1:</b><br/> PIN 1. EMITTER<br/> 2. COLLECTOR<br/> 3. COLLECTOR<br/> 4. EMITTER<br/> 5. EMITTER<br/> 6. BASE<br/> 7. BASE<br/> 8. EMITTER</p>   | <p><b>STYLE 2:</b><br/> PIN 1. COLLECTOR, DIE, #1<br/> 2. COLLECTOR, #1<br/> 3. COLLECTOR, #2<br/> 4. COLLECTOR, #2<br/> 5. BASE, #2<br/> 6. EMITTER, #2<br/> 7. BASE, #1<br/> 8. EMITTER, #1</p>               | <p><b>STYLE 3:</b><br/> PIN 1. DRAIN, DIE #1<br/> 2. DRAIN, #1<br/> 3. DRAIN, #2<br/> 4. DRAIN, #2<br/> 5. GATE, #2<br/> 6. SOURCE, #2<br/> 7. GATE, #1<br/> 8. SOURCE, #1</p>                            | <p><b>STYLE 4:</b><br/> PIN 1. ANODE<br/> 2. ANODE<br/> 3. ANODE<br/> 4. ANODE<br/> 5. ANODE<br/> 6. ANODE<br/> 7. ANODE<br/> 8. COMMON CATHODE</p>   |
| <p><b>STYLE 5:</b><br/> PIN 1. DRAIN<br/> 2. DRAIN<br/> 3. DRAIN<br/> 4. DRAIN<br/> 5. GATE<br/> 6. GATE<br/> 7. SOURCE<br/> 8. SOURCE</p>   | <p><b>STYLE 6:</b><br/> PIN 1. SOURCE<br/> 2. DRAIN<br/> 3. DRAIN<br/> 4. SOURCE<br/> 5. SOURCE<br/> 6. GATE<br/> 7. GATE<br/> 8. SOURCE</p>  | <p><b>STYLE 7:</b><br/> PIN 1. INPUT<br/> 2. EXTERNAL BYPASS<br/> 3. THIRD STAGE SOURCE<br/> 4. GROUND<br/> 5. DRAIN<br/> 6. GATE 3<br/> 7. SECOND STAGE Vd<br/> 8. FIRST STAGE Vd</p>                    | <p><b>STYLE 8:</b><br/> PIN 1. COLLECTOR, DIE #1<br/> 2. BASE, #1<br/> 3. BASE, #2<br/> 4. COLLECTOR, #2<br/> 5. COLLECTOR, #2<br/> 6. EMITTER, #2<br/> 7. EMITTER, #1<br/> 8. COLLECTOR, #1</p>                              |
| <p><b>STYLE 9:</b><br/> PIN 1. EMITTER, COMMON<br/> 2. COLLECTOR, DIE #1<br/> 3. COLLECTOR, DIE #2<br/> 4. EMITTER, COMMON<br/> 5. EMITTER, COMMON<br/> 6. BASE, DIE #2<br/> 7. BASE, DIE #1<br/> 8. EMITTER, COMMON</p> | <p><b>STYLE 10:</b><br/> PIN 1. GROUND<br/> 2. BIAS 1<br/> 3. OUTPUT<br/> 4. GROUND<br/> 5. GROUND<br/> 6. BIAS 2<br/> 7. INPUT<br/> 8. GROUND</p>  | <p><b>STYLE 11:</b><br/> PIN 1. SOURCE 1<br/> 2. GATE 1<br/> 3. SOURCE 2<br/> 4. GATE 2<br/> 5. DRAIN 2<br/> 6. DRAIN 2<br/> 7. DRAIN 1<br/> 8. DRAIN 1</p>   | <p><b>STYLE 12:</b><br/> PIN 1. SOURCE<br/> 2. SOURCE<br/> 3. SOURCE<br/> 4. GATE<br/> 5. DRAIN<br/> 6. DRAIN<br/> 7. DRAIN<br/> 8. DRAIN</p>   |
| <p><b>STYLE 13:</b><br/> PIN 1. N.C.<br/> 2. SOURCE<br/> 3. SOURCE<br/> 4. GATE<br/> 5. DRAIN<br/> 6. DRAIN<br/> 7. DRAIN<br/> 8. DRAIN</p>  | <p><b>STYLE 14:</b><br/> PIN 1. N-SOURCE<br/> 2. N-GATE<br/> 3. P-SOURCE<br/> 4. P-GATE<br/> 5. P-DRAIN<br/> 6. P-DRAIN<br/> 7. N-DRAIN<br/> 8. N-DRAIN</p>   | <p><b>STYLE 15:</b><br/> PIN 1. ANODE 1<br/> 2. ANODE 1<br/> 3. ANODE 1<br/> 4. ANODE 1<br/> 5. CATHODE, COMMON<br/> 6. CATHODE, COMMON<br/> 7. CATHODE, COMMON<br/> 8. CATHODE, COMMON</p>               | <p><b>STYLE 16:</b><br/> PIN 1. EMITTER, DIE #1<br/> 2. BASE, DIE #1<br/> 3. EMITTER, DIE #2<br/> 4. BASE, DIE #2<br/> 5. COLLECTOR, DIE #2<br/> 6. COLLECTOR, DIE #2<br/> 7. COLLECTOR, DIE #1<br/> 8. COLLECTOR, DIE #1</p> |
| <p><b>STYLE 17:</b><br/> PIN 1. VCC<br/> 2. V2OUT<br/> 3. V1OUT<br/> 4. TXE<br/> 5. RXE<br/> 6. VEE<br/> 7. GND<br/> 8. ACC</p>  | <p><b>STYLE 18:</b><br/> PIN 1. ANODE<br/> 2. ANODE<br/> 3. SOURCE<br/> 4. GATE<br/> 5. DRAIN<br/> 6. DRAIN<br/> 7. CATHODE<br/> 8. CATHODE</p>   | <p><b>STYLE 19:</b><br/> PIN 1. SOURCE 1<br/> 2. GATE 1<br/> 3. SOURCE 2<br/> 4. GATE 2<br/> 5. DRAIN 2<br/> 6. MIRROR 2<br/> 7. DRAIN 1<br/> 8. MIRROR 1</p>   | <p><b>STYLE 20:</b><br/> PIN 1. SOURCE (N)<br/> 2. GATE (N)<br/> 3. SOURCE (P)<br/> 4. GATE (P)<br/> 5. DRAIN<br/> 6. DRAIN<br/> 7. DRAIN<br/> 8. DRAIN</p>   |
| <p><b>STYLE 21:</b><br/> PIN 1. CATHODE 1<br/> 2. CATHODE 2<br/> 3. CATHODE 3<br/> 4. CATHODE 4<br/> 5. CATHODE 5<br/> 6. COMMON ANODE<br/> 7. COMMON ANODE<br/> 8. CATHODE 6</p>  | <p><b>STYLE 22:</b><br/> PIN 1. I/O LINE 1<br/> 2. COMMON CATHODE/VCC<br/> 3. COMMON CATHODE/VCC<br/> 4. I/O LINE 3<br/> 5. COMMON ANODE/GND<br/> 6. I/O LINE 4<br/> 7. I/O LINE 5<br/> 8. COMMON ANODE/GND</p> | <p><b>STYLE 23:</b><br/> PIN 1. LINE 1 IN<br/> 2. COMMON ANODE/GND<br/> 3. COMMON ANODE/GND<br/> 4. LINE 2 IN<br/> 5. LINE 2 OUT<br/> 6. COMMON ANODE/GND<br/> 7. COMMON ANODE/GND<br/> 8. LINE 1 OUT</p> | <p><b>STYLE 24:</b><br/> PIN 1. BASE<br/> 2. EMITTER<br/> 3. COLLECTOR/ANODE<br/> 4. COLLECTOR/ANODE<br/> 5. CATHODE<br/> 6. CATHODE<br/> 7. COLLECTOR/ANODE<br/> 8. COLLECTOR/ANODE</p>                                      |
| <p><b>STYLE 25:</b><br/> PIN 1. VIN<br/> 2. N/C<br/> 3. REXT<br/> 4. GND<br/> 5. IOUT<br/> 6. IOUT<br/> 7. IOUT<br/> 8. IOUT</p>   | <p><b>STYLE 26:</b><br/> PIN 1. GND<br/> 2. dv/dt<br/> 3. ENABLE<br/> 4. ILIMIT<br/> 5. SOURCE<br/> 6. SOURCE<br/> 7. SOURCE<br/> 8. VCC</p>  | <p><b>STYLE 27:</b><br/> PIN 1. ILIMIT<br/> 2. OVLO<br/> 3. UVLO<br/> 4. INPUT+<br/> 5. SOURCE<br/> 6. SOURCE<br/> 7. SOURCE<br/> 8. DRAIN</p>  | <p><b>STYLE 28:</b><br/> PIN 1. SW_TO_GND<br/> 2. DASIC_OFF<br/> 3. DASIC_SW_DET<br/> 4. GND<br/> 5. V_MON<br/> 6. VBULK<br/> 7. VBULK<br/> 8. VIN</p>  |
| <p><b>STYLE 29:</b><br/> PIN 1. BASE, DIE #1<br/> 2. EMITTER, #1<br/> 3. BASE, #2<br/> 4. EMITTER, #2<br/> 5. COLLECTOR, #2<br/> 6. COLLECTOR, #2<br/> 7. COLLECTOR, #1<br/> 8. COLLECTOR, #1</p>                        | <p><b>STYLE 30:</b><br/> PIN 1. DRAIN 1<br/> 2. DRAIN 1<br/> 3. GATE 2<br/> 4. SOURCE 2<br/> 5. SOURCE 1/DRAIN 2<br/> 6. SOURCE 1/DRAIN 2<br/> 7. SOURCE 1/DRAIN 2<br/> 8. GATE 1</p>                           |   |   |

|                         |                    |   |
|-------------------------|--------------------|---|
| <b>DOCUMENT NUMBER:</b> | <b>98ASB42564B</b> | Electronic versions are uncontrolled except when accessed directly from the Document Repository.<br>Printed versions are uncontrolled except when stamped "CONTROLLED COPY" in red. |
| <b>DESCRIPTION:</b>     | <b>SOIC-8 NB</b>   | <b>PAGE 2 OF 2</b>  |

ON Semiconductor and  are trademarks of Semiconductor Components Industries, LLC dba ON Semiconductor or its subsidiaries in the United States and/or other countries. ON Semiconductor reserves the right to make changes without further notice to any products herein. ON Semiconductor makes no warranty, representation or guarantee regarding the suitability of its products for any particular purpose, nor does ON Semiconductor assume any liability arising out of the application or use of any product or circuit, and specifically disclaims any and all liability, including without limitation special, consequential or incidental damages. ON Semiconductor does not convey any license under its patent rights nor the rights of others.

# MECHANICAL CASE OUTLINE

## PACKAGE DIMENSIONS

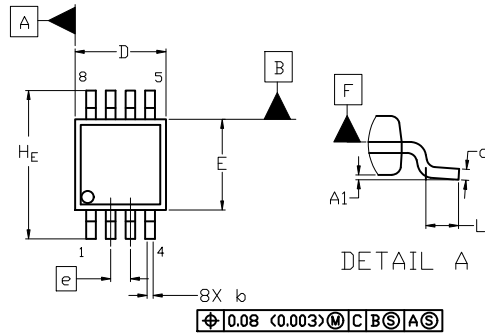
ON Semiconductor®



SCALE 2:1

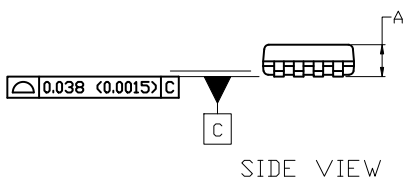
### Micro8 CASE 846A-02 ISSUE K

DATE 16 JUL 2020

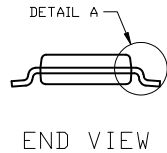


TOP VIEW

NOTE 3



SIDE VIEW



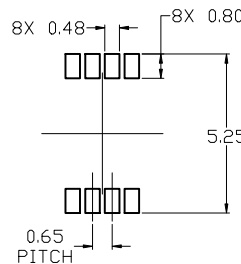
END VIEW

**NOTES:**

1. DIMENSIONING AND TOLERANCING PER ASME Y14.5M, 2009.
2. CONTROLLING DIMENSION: MILLIMETERS
3. DIMENSION *b* DOES NOT INCLUDE DAMBAR PROTRUSION. ALLOWABLE PROTRUSION SHALL BE 0.10 mm IN EXCESS OF MAXIMUM MATERIAL CONDITION.
4. DIMENSIONS *D* AND *E* DO NOT INCLUDE MOLD FLASH, PROTRUSION OR GATE BURRS. MOLD FLASH, PROTRUSIONS, OR GATE BURRS SHALL NOT EXCEED 0.15 mm PER SIDE. DIMENSION *E* DOES NOT INCLUDE INTERLEAD FLASH OR PROTRUSION. INTERLEAD FLASH OR PROTRUSION SHALL NOT EXCEED 0.25 mm PER SIDE. DIMENSIONS *D* AND *E* ARE DETERMINED AT DATUM *F*.
5. DATUMS *A* AND *B* ARE TO BE DETERMINED AT DATUM *F*.
6. *A1* IS DEFINED AS THE VERTICAL DISTANCE FROM THE SEATING PLANE TO THE LOWEST POINT ON THE PACKAGE BODY.

$\phi 0.08$  (0.003) M C B S A S

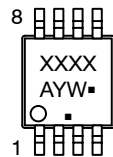
| DIM                  | MILLIMETERS |      |      |
|----------------------|-------------|------|------|
|                      | MIN.        | NOM. | MAX. |
| A                    | ---         | ---  | 1.10 |
| A1                   | 0.05        | 0.08 | 0.15 |
| <i>b</i>             | 0.25        | 0.33 | 0.40 |
| <i>c</i>             | 0.13        | 0.18 | 0.23 |
| <i>D</i>             | 2.90        | 3.00 | 3.10 |
| <i>E</i>             | 2.90        | 3.00 | 3.10 |
| <i>e</i>             | 0.65 BSC    |      |      |
| <i>H<sub>E</sub></i> | 4.75        | 4.90 | 5.05 |
| <i>L</i>             | 0.40        | 0.55 | 0.70 |



RECOMMENDED MOUNTING FOOTPRINT

For additional information on our Pb-Free strategy and soldering details, please download the ON Semiconductor Soldering and Mounting Techniques Reference Manual, SOLDERM/D.

### GENERIC MARKING DIAGRAM\*



- XXXX = Specific Device Code
- A = Assembly Location
- Y = Year
- W = Work Week
- = Pb-Free Package

(Note: Microdot may be in either location)

\*This information is generic. Please refer to device data sheet for actual part marking. Pb-Free indicator, "G" or microdot "▪", may or may not be present. Some products may not follow the Generic Marking.

**STYLE 1:**

1. SOURCE
2. SOURCE
3. SOURCE
4. GATE
5. DRAIN
6. DRAIN
7. DRAIN
8. DRAIN

**STYLE 2:**

1. SOURCE 1
2. GATE 1
3. SOURCE 2
4. GATE 2
5. DRAIN 2
6. DRAIN 2
7. DRAIN 1
8. DRAIN 1

**STYLE 3:**

1. N-SOURCE
2. N-GATE
3. P-SOURCE
4. P-GATE
5. P-DRAIN
6. P-DRAIN
7. N-DRAIN
8. N-DRAIN

|                         |                    |  |
|-------------------------|--------------------|--|
| <b>DOCUMENT NUMBER:</b> | <b>98ASB14087C</b> | Electronic versions are uncontrolled except when accessed directly from the Document Repository. Printed versions are uncontrolled except when stamped "CONTROLLED COPY" in red. |
| <b>DESCRIPTION:</b>     | <b>MICRO8</b>      | <b>PAGE 1 OF 1</b>   |

ON Semiconductor and ON are trademarks of Semiconductor Components Industries, LLC dba ON Semiconductor or its subsidiaries in the United States and/or other countries. ON Semiconductor reserves the right to make changes without further notice to any products herein. ON Semiconductor makes no warranty, representation or guarantee regarding the suitability of its products for any particular purpose, nor does ON Semiconductor assume any liability arising out of the application or use of any product or circuit, and specifically disclaims any and all liability, including without limitation special, consequential or incidental damages. ON Semiconductor does not convey any license under its patent rights nor the rights of others.