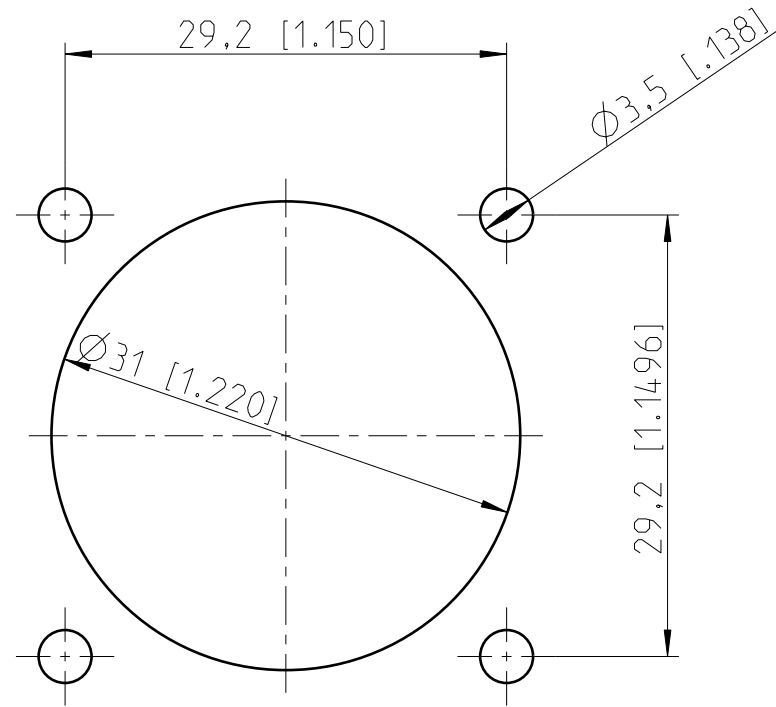


Panel Cut Out



Sheet Number 1/1	Projection 	Scale 2:1	Format A3	Tolerancing ISO 2768-mK	
ECN Number		Created 28.10.2020	sfr		
Description  ST-NL4FPXX			Modified	n.a.	n.a.
			Approved		
			Status		
<b>NEUTRIK</b>		3D Model ID NL4FPXX	Document ID NL4FPXX	Revision -	