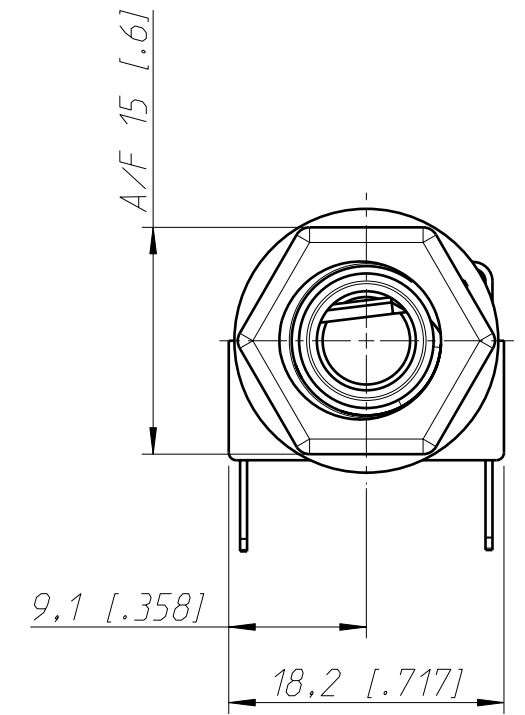
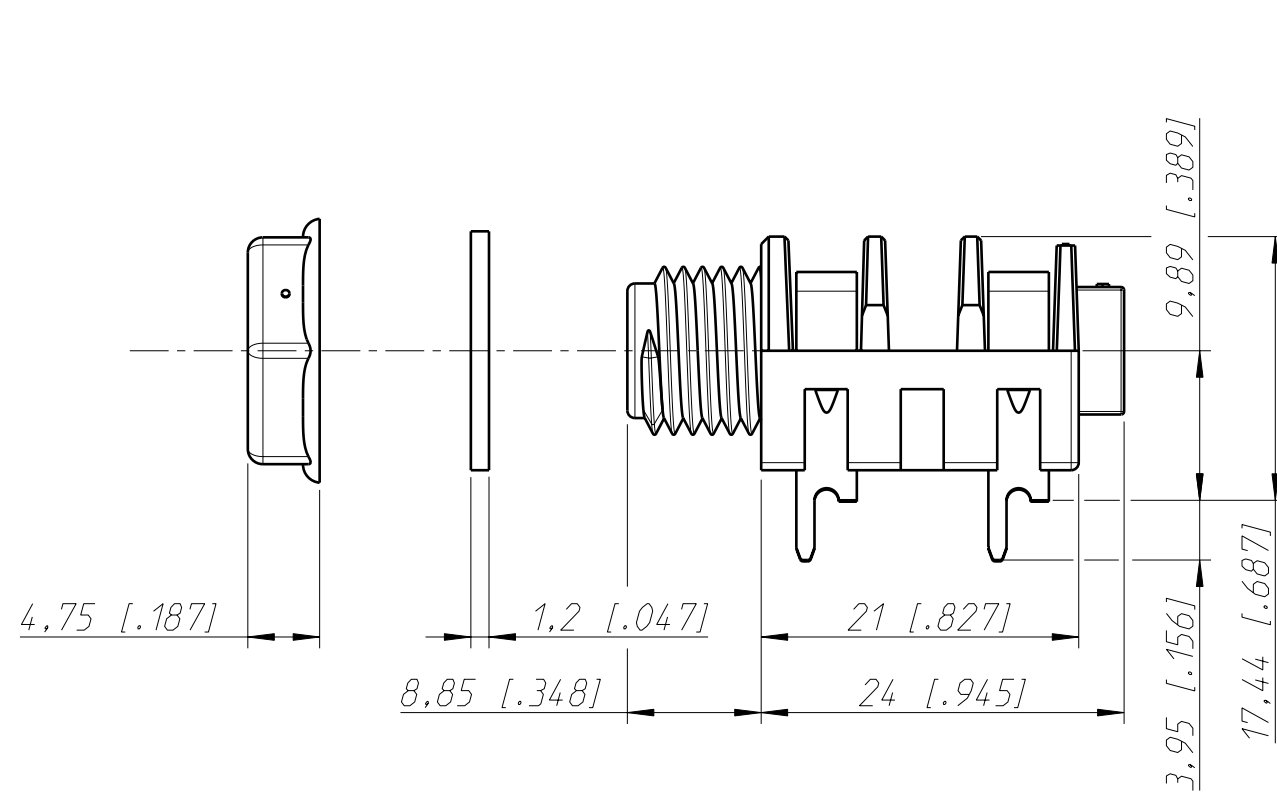
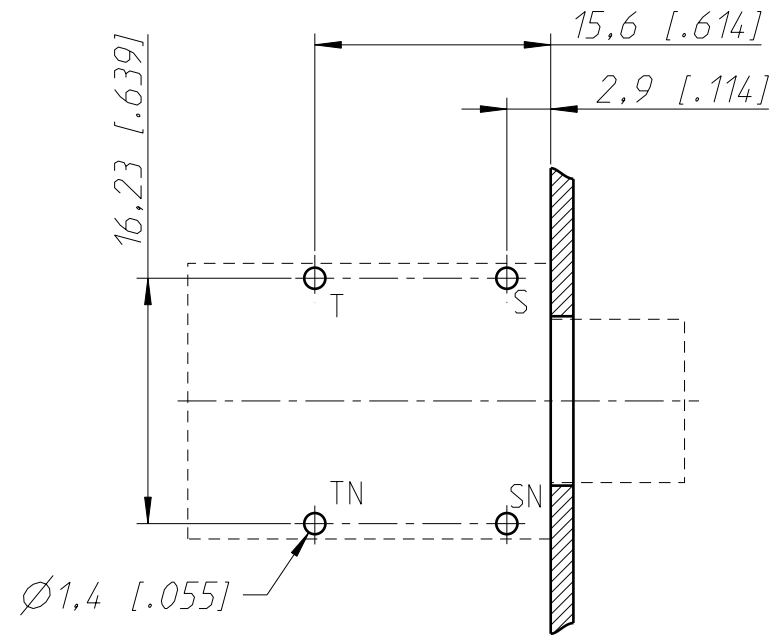
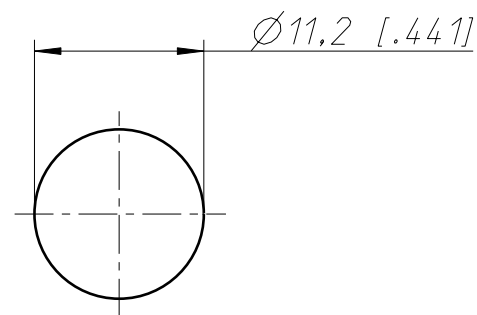


Print Bohrplan Bestückungsseite
PCB-Layout (component side)



Frontplattenausschnitt (Rückseite)
Panel cut out (rear side)



General tolerances ISO 2768-m	Scale	Date	Name
Refer to protection notice ISO 16016.	2:1 (A3)	04.02.03	Ender
Name	M Jack	Modified	10.05.17
	NMJ4HFD3	Change-No.	Sheet-No.
		-	1 / 1
		Replacement for:	
		Drawing-No.	ST-NMJ4HFD3
NEUTRIK			