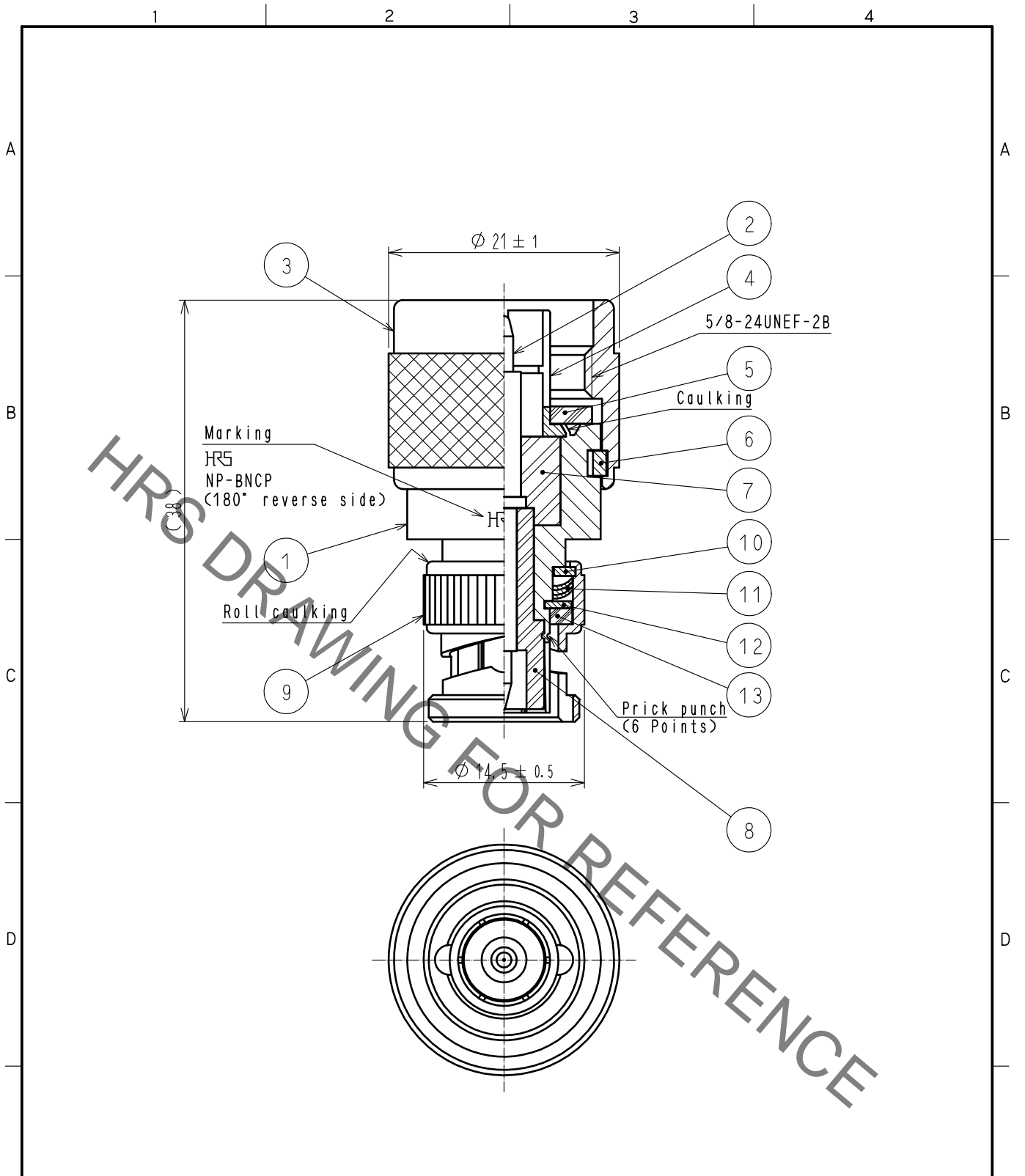


Apr.1.2022 Copyright 2022 HIROSE ELECTRIC CO., LTD. All Rights Reserved.
 In case of consideration for using Automotive equipment / device which demand high reliability, kindly contact our sales window correspondents.



| 7 | PTFE | | | | |
|-----|-----------------|------------------|-----|------------------|------------------|
| 6 | PHOSPHOR BRONZE | SILVER PLATING | 13 | SILICONE RUBBER | |
| 5 | SILICONE RUBBER | | 12 | BRASS | SILVER PLATING |
| 4 | PHOSPHOR BRONZE | SILVER PLATING | 11 | BERYLLIUM COPPER | SILVER PLATING |
| 3 | BRASS | SILVER PLATING | 10 | BRASS | SILVER PLATING |
| 2 | BRASS | SILVER PLATING | 9 | BRASS | SILVER PLATING |
| 1 | BRASS | SILVER PLATING | 8 | PTFE | |
| NO. | MATERIAL | FINISH . REMARKS | NO. | MATERIAL | FINISH . REMARKS |

| | | | | | | | |
|---------------------------|--|-------------------------|-----------|--------------------------|------------------|---------|------|
| UNITS mm | | SCALE 2 : 1 | COUNT | DESCRIPTION OF REVISIONS | DESIGNED | CHECKED | DATE |
| HIROSE ELECTRIC CO., LTD. | | APPROVED : NK. NINOMIYA | 20211125 | DRAWING NO. | EDC-003065-40-00 | | |
| | | CHECKED : NK. NINOMIYA | 20211125 | PART NO. | NP-BNCP(40) | | |
| | | DESIGNED : MT. KANEKO | 20211124 | CODE NO. | CL0311-0050-7-40 | | |
| | | DRAWN : NK. OOSHIMA | 20211124 | | 1/1 | | |