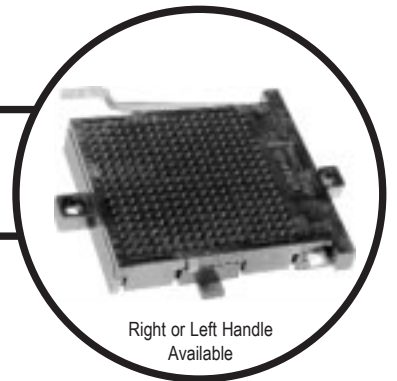
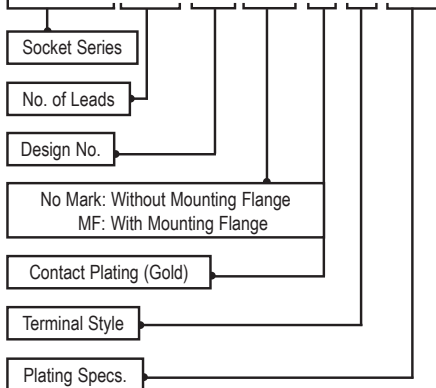


# PGA / ZIF

## NP89 Series



### NP89-121 10 MF-G 4-BF



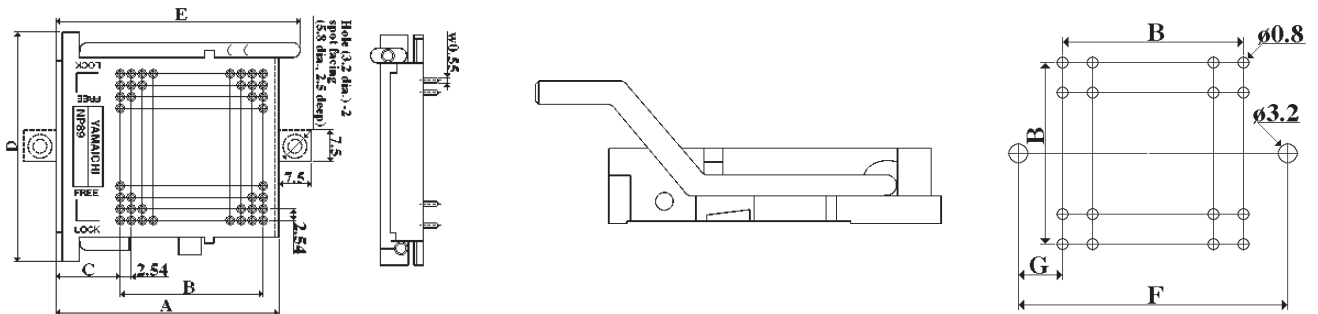
#### Characteristics

Insulation Resistance: 1,000M $\Omega$  minimum at 500 VDC  
 Withstanding Voltage: 700 VAC for 1 Minute  
 Contact Resistance: 30m $\Omega$  max. at 10mA/20mV (Initial)  
 Operating Temperature: -55°C ~ +170°C

#### Material

Insulator: PEI (Glass Filled) UL94V-0  
 Contact: Beryllium Copper  
 Plating: Gold over Nickel

*Depopulated Versions Available*

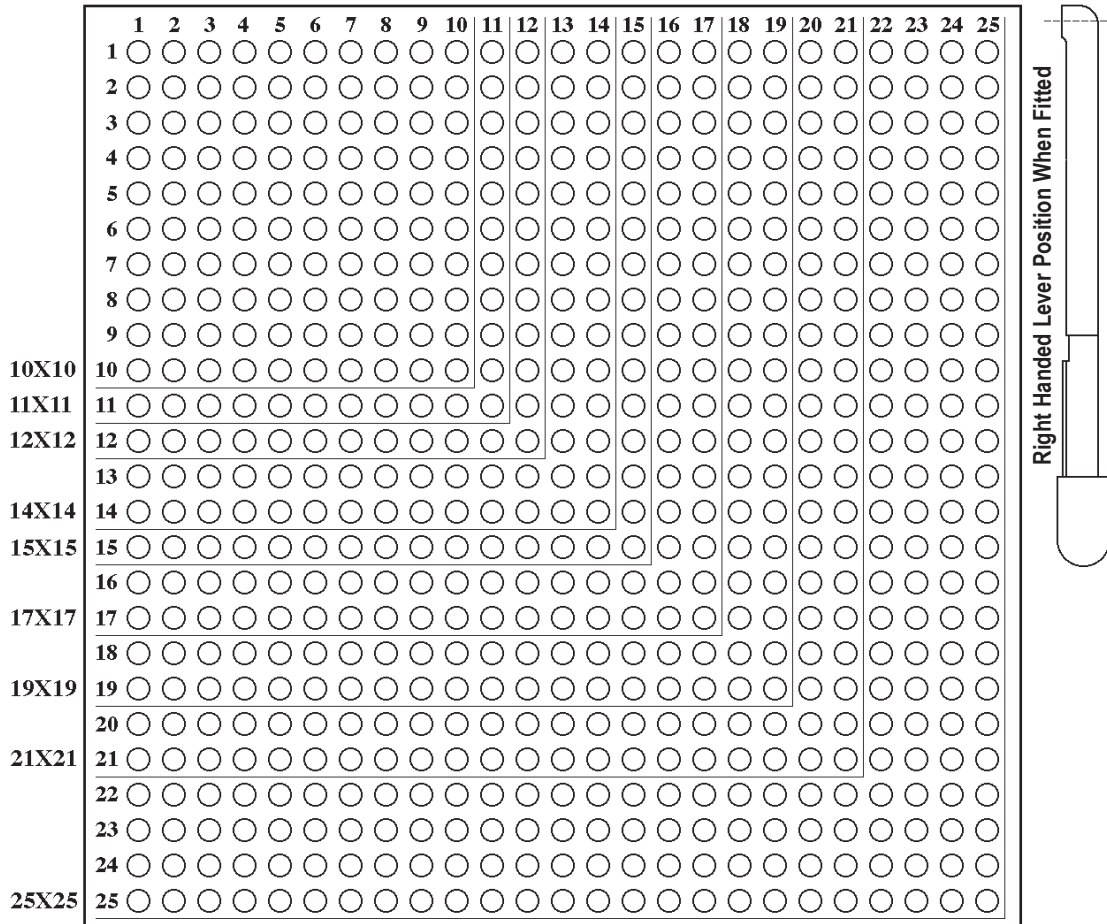


Part Number	Grid	No. of Leads	DIMENSIONS						
			A	B	C	D	E	F	G
NP89-10007-G4	10 X 10	100	38.0	22.86	12.0	38.0	47.5	45.6	15.55
NP89-07303-G4	11 X 11	73	42.5	25.4	14.0	42.5	52.0	50.1	17.55
NP89-12110-G4	11 X 11	121	42.5	25.4	14.0	42.5	52.0	50.1	17.55
NP89-14409-G4	12 X 12	144	43.1	27.94	12.0	42.7	52.6	50.7	15.55
NP89-13302-G4	14 X 14	133	51.0	32.02	14.65	51.0	60.5	58.6	18.2
NP89-19601-G4	14 X 14	196	51.0	32.02	14.65	49.0	60.5	58.6	18.2
NP89-22508-G4	15 X 15	225	52.7	35.56	14.0	50.3	65.4	60.3	17.55
NP89-21004-G4	17 X 17	210	59.0	40.64	14.65	57.0	71.7	66.6	18.2
NP89-28906-G4	17 X 17	289	59.0	40.64	14.65	57.0	71.7	66.6	18.2
NP89-36105-G4	19 X 19	361	63.7	45.72	14.65	61.7	73.2	71.3	18.2
NP89-44111-G4	21 X 21	441	69.0	50.8	14.95	68.0	81.7	76.4	18.5
NP89-62522-G4	25 X 25	625	85.7	60.96	17.95	82.0	95.2	92.8	21.5

# DEPOPULATION LAYOUT

PGA / ZIF

## NP89 Series



Arrays

*Depopulation Layout is For Reference Only*

**Convention:**

- Shaded Circles Indicate Required Contact Position
- Rule Line to Confirm Required Socket Outline.  
Socket Outline Should Always Appear in the Top Left Corner.
- ✕ Use this Symbol to Indicate Required Polarity Key Position.

**The NP89 is Available in the Following Grid Sizes:**

10X10	11X11	12X12
14X14	15X15	17X17
19X19	21X21	25X25

No. of Leads

Base Socket Part No.

AC No.