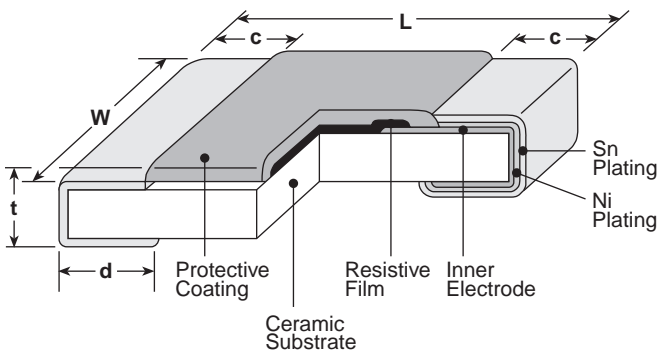


features

- Twelve standard resistance values
- Products with lead-free terminations meet EU RoHS requirements. EU RoHS regulation is not intended for Pb-glass contained in electrode, resistor element and glass.

Not Recommended for New Design

dimensions and construction



Type (Inch Size Code)	Dimensions inches (mm)				
	L	W	c	d	t
1J (0603)	.063±.008 (1.6±0.2)	.031±.004 (0.8±0.1)	.012±.004 (0.3±0.1)	.012±.004 (0.3±0.1)	.02±.004 (0.5±0.1)
2A (0805)	.079±.008 (2.0±0.2)	.049±.004 (1.25±0.1)	.016±.008 (0.4±0.2)	.012 ^{+0.008} _{-0.004} (0.3 ^{+0.2} _{-0.1})	.02 ^{+0.008} _{-0.004} (0.5 ^{+0.2} _{-0.1})
2B (1206)	.126±.008 (3.2±0.2)	.063±.008 (1.6±0.2)	.02±.008 (0.5±0.3)	.016 ^{+0.008} _{-0.004} (0.4 ^{+0.2} _{-0.1})	.024±.004 (0.6±0.1)

thermal sensors

ordering information

NT73	2A	T	TD	103	K	3800	J
Type	Size Code	Termination Material	Packaging	Nominal Resistance	Resistance Tolerance	B Constant Nominal	B Constant Tolerance
	1J: 0603 2A: 0805 2B: 1206	T: Sn (Other termination styles may be available, please contact factory for options)	TD: 7" paper tape (5,000 pieces/reel)	2 significant figures + 1 multiplier	J: ±5% K: ±10% L: ±15%	3200 3500 3700 3800 3950 4100	H: ±3% J: ±5% K: ±10%

applications and ratings

Part Designation	Resistance @ 25°C	Resistance Tolerance	B Constant @ 25°C/75°C	B Constant Tolerance	Power Rating (mW)	Operating Temperature Range
NT731J	6.8kΩ	J: ±5% K: ±10%	3500K	±10%	5	-55°C to +125°C
	10kΩ			±5%		
	15kΩ					
	10kΩ		3800K	±3%		
	20kΩ			±5%		
	22kΩ					
	30kΩ					
	33kΩ					
	47kΩ					
	68kΩ					
100kΩ	4100K	±3%				
47kΩ						
NT732A	1kΩ	K: ±10% L: ±15%	3200K	±10%	5	
	2kΩ					
	2.2kΩ					
	2.4kΩ					
	3.3kΩ	J: ±5%; K: ±10% L: ±15%	3500K	±5%		
	4.7kΩ					
	5kΩ					
	5kΩ					

For further information on packaging, please refer to Appendix A.

Specifications given herein may be changed at any time without prior notice. Please confirm technical specifications before you order and/or use.

4/05/23