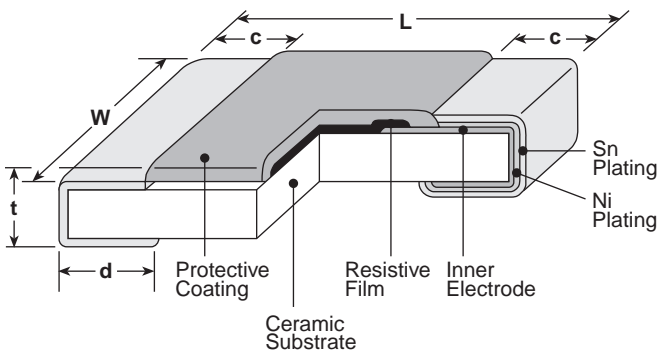


**features**

- Twelve standard resistance values
- Products with lead-free terminations meet EU RoHS requirements. EU RoHS regulation is not intended for Pb-glass contained in electrode, resistor element and glass.

**Not Recommended for New Design**

**dimensions and construction**



Type (Inch Size Code)	Dimensions inches (mm)				
	L	W	c	d	t
<b>1J (0603)</b>	.063±.008 (1.6±0.2)	.031±.004 (0.8±0.1)	.012±.004 (0.3±0.1)	.012±.004 (0.3±0.1)	.02±.004 (0.5±0.1)
<b>2A (0805)</b>	.079±.008 (2.0±0.2)	.049±.004 (1.25±0.1)	.016±.008 (0.4±0.2)	.012 <sup>+0.008</sup> <sub>-0.004</sub> (0.3 <sup>+0.2</sup> <sub>-0.1</sub> )	.02 <sup>+0.008</sup> <sub>-0.004</sub> (0.5 <sup>+0.2</sup> <sub>-0.1</sub> )
<b>2B (1206)</b>	.126±.008 (3.2±0.2)	.063±.008 (1.6±0.2)	.02±.008 (0.5±0.3)	.016 <sup>+0.008</sup> <sub>-0.004</sub> (0.4 <sup>+0.2</sup> <sub>-0.1</sub> )	.024±.004 (0.6±0.1)

thermal sensors

**ordering information**

<b>NT73</b>	<b>2A</b>	<b>T</b>	<b>TD</b>	<b>103</b>	<b>K</b>	<b>3800</b>	<b>J</b>
<b>Type</b>	<b>Size Code</b>	<b>Termination Material</b>	<b>Packaging</b>	<b>Nominal Resistance</b>	<b>Resistance Tolerance</b>	<b>B Constant Nominal</b>	<b>B Constant Tolerance</b>
	1J: 0603 2A: 0805 2B: 1206	T: Sn (Other termination styles may be available, please contact factory for options)	TD: 7" paper tape (5,000 pieces/reel)	2 significant figures + 1 multiplier	J: ±5% K: ±10% L: ±15%	3200 3500 3700 3800 3950 4100	H: ±3% J: ±5% K: ±10%

**applications and ratings**

Part Designation	Resistance @ 25°C	Resistance Tolerance	B Constant @ 25°C/75°C	B Constant Tolerance	Power Rating (mW)	Operating Temperature Range	
<b>NT731J</b>	6.8kΩ	J: ±5% K: ±10%	3500K	±10%	5	-55°C to +125°C	
	10kΩ			±5%			
	15kΩ						
	10kΩ		3700K	±3%			
	20kΩ			±5%			
	22kΩ						
	30kΩ		3800K	±5%			
	33kΩ						
	47kΩ			4100K			±3%
	68kΩ		±10%				
	100kΩ						
	<b>NT732A</b>		47kΩ	K: ±10% L: ±15%			3200K
1kΩ							
2kΩ		J: ±5%; K: ±10% L: ±15%	3500K	±5%			
2.2kΩ							
2.4kΩ							
3.3kΩ							
4.7kΩ							
5kΩ							

For further information on packaging, please refer to Appendix A.

Specifications given herein may be changed at any time without prior notice. Please confirm technical specifications before you order and/or use.

4/05/23