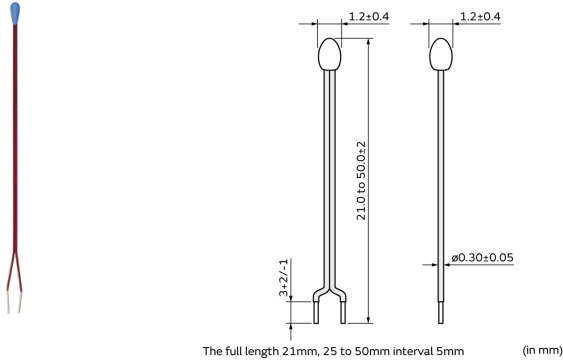


# NXFT15WF104FEAB035



## Appearance & Shape



## Features

1. High accuracy and high sensibility temperature sensing is available by the small size and high accuracy NTC Thermistor.
2. Narrow space temperature sensing is available by the small sensing head and the thin lead wire.
3. You can choose the optimum length according to the design layout.
4. This product is compatible with our 0402 (EIA) size chip Thermistor.
5. Excellent long time aging stability
6. This is halogen free product (Cl= max.900ppm、Br=max.900ppm and Cl+Br=max.1500ppm).
7. Lead is not contained in the product.
8. UL/cULcertified product.(UL1434, File No. E137188)

## Applications

|               |                |
|---------------|----------------|
| Limited Usage | Consumer Grade |
|---------------|----------------|

## Packaging Information

| Packaging | Specifications | Standard Packing Quantity |
|-----------|----------------|---------------------------|
| B         | Bulk(Bag)      | 1000                      |

**Attention**  
 1.This datasheet is downloaded from the website of Murata Manufacturing Co., Ltd. Therefore, it's specifications are subject to change or our products in it may be discontinued without advance notice. Please check with our sales representatives or product engineers before ordering.  
 2.This datasheet has only typical specifications because there is no space for detailed specifications.  
 Therefore, please review our product specifications or consult the approval sheet for product specifications before ordering.

# NXFT15WF104FEAB035



## Specifications

|  |                |
|--|----------------|
| Resistance (25°C)                      | 100kΩ          |
| Resistance Value Tolerance (at 25°C)   | ±1%            |
| B-Constant (25/50°C)                   | 4250K          |
| B-Constant (25/50°C) Tolerance         | ±1%            |
| B-Constant(25/80°C) (Reference Value)  | 4303K          |
| B-Constant(25/85°C) (Reference Value)  | 4311K          |
| B-Constant(25/100°C) (Reference Value) | 4334K          |
| Maximum Operating Current (25°C)       | 0.024mA        |
| Rated Electric Power (25°C)            | 3.0mW          |
| Typical Dissipation Constant (25°C)    | 0.6mW/°C       |
| Operating Temperature Range            | -40°C to 125°C |
| Thermal Time Constant                  | 3s             |
| Lead Shape                             | Lead Wire type |
| Size Code (in mm)                      | 035 = 35mm     |
| Size Code (in inch)                    | 035 = 35mm     |
| Shape                                  | Lead           |
| Mass                                   | 0.035g         |
| MSL                                    | N              |

### Attention

1.This datasheet is downloaded from the website of Murata Manufacturing Co., Ltd. Therefore, it's specifications are subject to change or our products in it may be discontinued without advance notice. Please check with our sales representatives or product engineers before ordering.

2.This datasheet has only typical specifications because there is no space for detailed specifications.

Therefore, please review our product specifications or consult the approval sheet for product specifications before ordering.