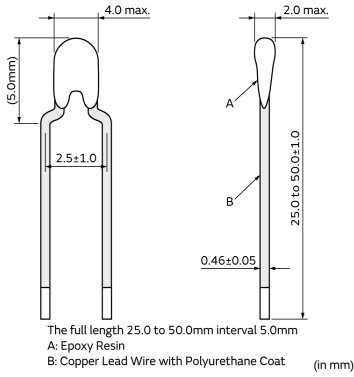


NXRT15XV302FA5B045



Appearance & Shape



Packaging Information

| Packaging | Specifications | Standard Packing Quantity |
|-----------|----------------|---------------------------|
| B | Bulk(Bag) | 500 |

Features

1. NXR series can accurately detect temperature with NCP15 series on the head of parts.
2. The insulation coat with polyurethane on the surface of lead wire : 100VDC.
3. You can choose NTC characteristics from NCP15 series.
4. The resistance drift is small in the reliability test.
5. The production capacity is bigger and NXR is produced in almost all automation line.
6. Adopt to Sb regulation


Applications

| | |
|---------------|---|
| Limited Usage | Consumer Grade |
| Other Usage | 1. Secondary battery 2. Temperature detection for charging 3. Temperature detection for DC fan motor 4. Temperature sensing for appliance 5. Selfstanding temperature sensing for fire detector |

Attention

1. This datasheet is downloaded from the website of Murata Manufacturing Co., Ltd. Therefore, its specifications are subject to change or our products in it may be discontinued without advance notice. Please check with our sales representatives or product engineers before ordering.
2. This datasheet has only typical specifications because there is no space for detailed specifications. Therefore, please review our product specifications or consult the approval sheet for product specifications before ordering.

NXRT15XV302FA5B045



Specifications

| | |
|--|-----------------|
| Resistance (25°C) | 3kΩ |
| Resistance Value Tolerance (at 25°C) | ±1% |
| B-Constant (25/50°C) | 3936K |
| B-Constant (25/50°C) Tolerance | ±1% |
| B-Constant(25/80°C) (Reference Value) | 3971K |
| B-Constant(25/85°C) (Reference Value) | 3977K |
| B-Constant(25/100°C) (Reference Value) | 3989K |
| Maximum Operating Current (25°C) | 0.29mA |
| Rated Electric Power (25°C) | 13.0mW |
| Typical Dissipation Constant (25°C) | 2.6mW/°C |
| Thermal Time Constant | 4s |
| Operating Temperature Range | -40°C to 125°C |
| Lead Shape | Insulation type |
| Size Code (in mm) | 045 = 45mm |
| Size Code (in inch) | 045 = 45mm |
| Shape | Lead |
| Mass | 0.136g |

Attention

1.This datasheet is downloaded from the website of Murata Manufacturing Co., Ltd. Therefore, it's specifications are subject to change or our products in it may be discontinued without advance notice. Please check with our sales representatives or product engineers before ordering.

2.This datasheet has only typical specifications because there is no space for detailed specifications.

Therefore, please review our product specifications or consult the approval sheet for product specifications before ordering.