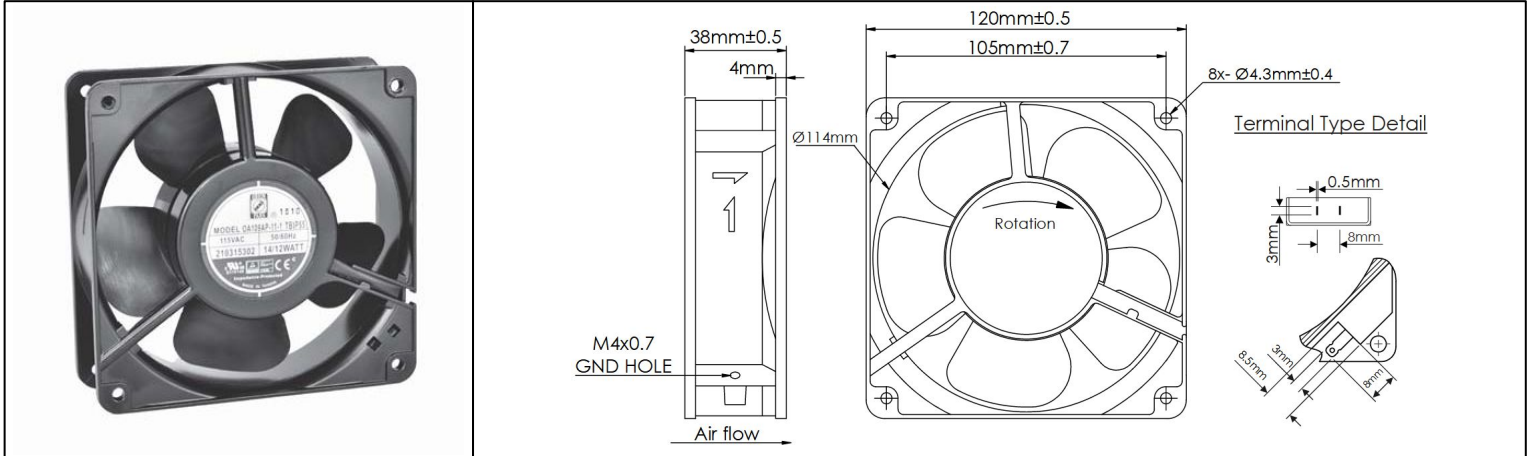


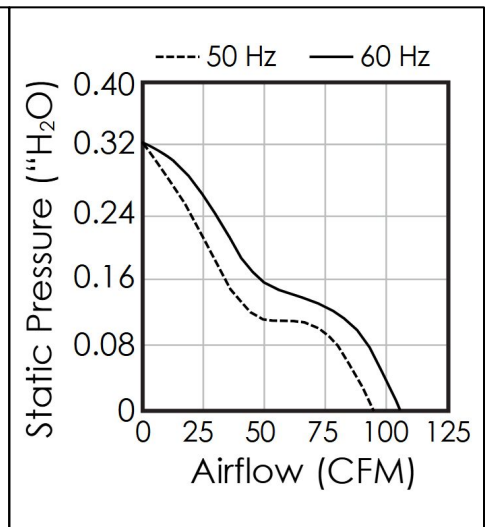
OA109AP IP55 Series



AC Fans - 115, 230V
120mm x 38mm (4.70" x 1.5")



Frame	Die Cast Aluminum, Black Finish	Operating Temperature -40°C ~ +70°C (Ball Bearing) Storage Temperature -40°C ~ +80°C Life Expectancy 40,000 Hours (L10 at 40°C) Installed Options IP55 Rated Motor Weight: 1.1 lbs.
Impeller	PBT, UL94 V-0 Plastic	
Power Connection	Terminals	
Motor	AC Shaded Pole, Impedance Protected, Class B Insulation	
Bearing System	Ball Bearings	
Dielectric Strength	1500VAC/min, <1mA	
Insulation Resistance	≥10MΩ @ 500V DC	



Part Number	Rated Voltage (Volts AC)	Voltage Range (Volts AC)	Frequency (Hertz)	Nominal Rated Power (Watts)	Locked Current (Amps)	Rated Speed (RPM)	Max Airflow (CFM)	Noise Level (dBA)	Max Static Pressure (\"H ₂ O)
OA109AP-11-1TBIP55	115	100 ~ 126	50 / 60	14 / 12	0.27 / 0.23	2650 / 3100	92 / 106	46	0.32 / 0.32
OA109AP-22-1TBIP55	230	210 ~ 252	50 / 60	17 / 15	0.17 / 0.15	2650 / 3100	92 / 106	46	0.32 / 0.32