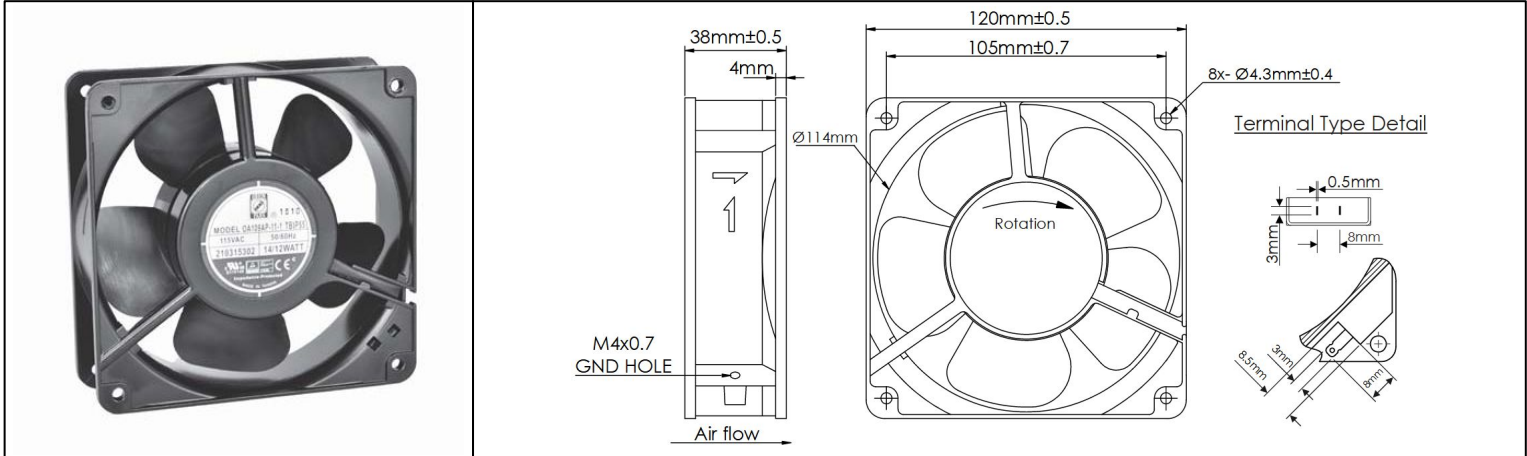


# OA109AP IP55 Series



AC Fans - 115, 230V  
120mm x 38mm (4.70" x 1.5")



<b>Frame</b>	Die Cast Aluminum, Black Finish	<b>Operating Temperature</b> -40°C ~ +70°C (Ball Bearing)  <b>Storage Temperature</b> -40°C ~ +80°C  <b>Life Expectancy</b> 40,000 Hours (L10 at 40°C)  <b>Installed Options</b> IP55 Rated Motor  Weight: 1.1 lbs.	
<b>Impeller</b>	PBT, UL94 V-0 Plastic		
<b>Power Connection</b>	Terminals		
<b>Motor</b>	AC Shaded Pole, Impedance Protected, Class B Insulation		
<b>Bearing System</b>	Ball Bearings		
<b>Dielectric Strength</b>	1500VAC/min, <1mA		
<b>Insulation Resistance</b>	≥10MΩ @ 500V DC		

Part Number	Rated Voltage (Volts AC)	Voltage Range (Volts AC)	Frequency (Hertz)	Nominal Rated Power (Watts)	Locked Current (Amps)	Rated Speed (RPM)	Max Airflow (CFM)	Noise Level (dBA)	Max Static Pressure (\"H <sub>2</sub> O)
OA109AP-11-1TBIP55	115	100 ~ 126	50 / 60	14 / 12	0.27 / 0.23	2650 / 3100	92 / 106	46	0.32 / 0.32
OA109AP-22-1TBIP55	230	210 ~ 252	50 / 60	17 / 15	0.17 / 0.15	2650 / 3100	92 / 106	46	0.32 / 0.32