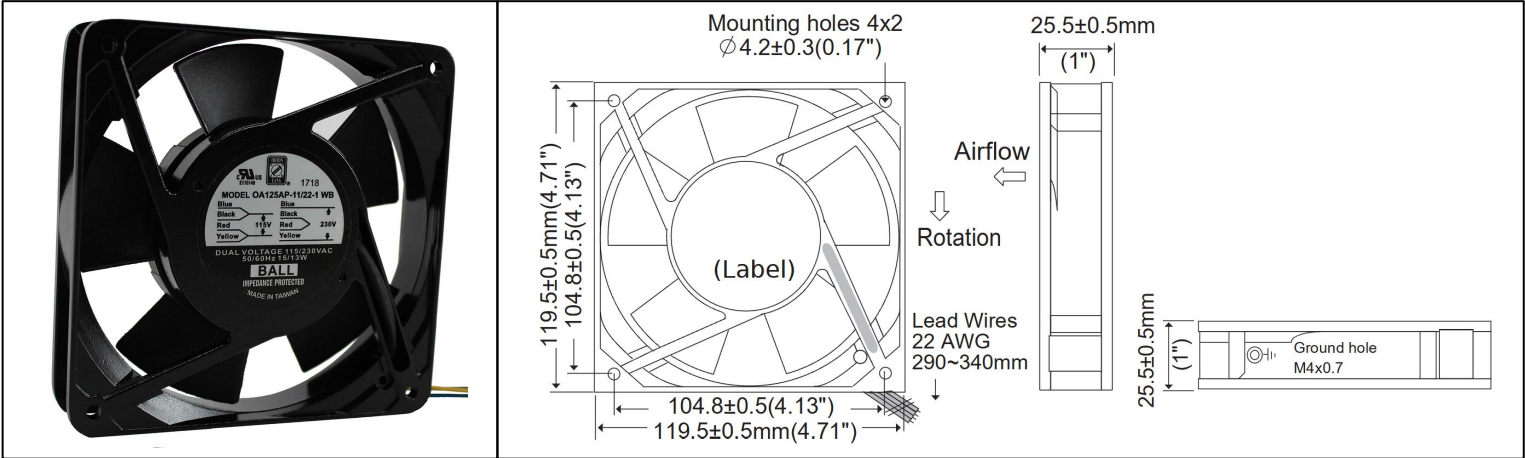


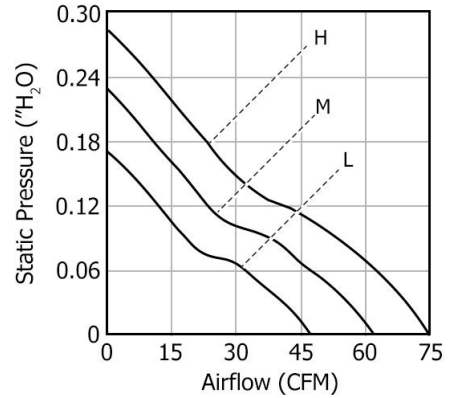
OA125AP Dual Voltage



AC Fan - 115V, 230V
120x120x25mm (4.7"x1.0")



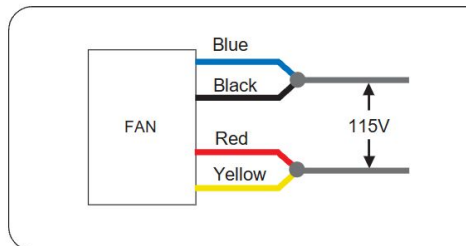
Frame	Die Cast Aluminum, Black Finish	Operating Temperature -20°C ~ +70°C Storage Temperature -40°C ~ +100°C Life Expectancy 80,000 hours (L10 at 45°C) Weight: 0.82 lbs m0
Impeller	PBT, UL94 V-0 plastic	
Connection	4x Lead wires, 22 AWG	
Motor	Inner Rotor, Shaded Pole Induction, Single Phase, Impedance Protected	
Bearing System	Dual Ball Bearings	
Dielectric Strength	1500VAC/min < 1mA	
Insulation Resistance	Over 100MΩ @ 500VDC Between Leadwires and Frame	



Part Number	Rated Voltage 50/60Hz	Input Power 50/60Hz	Voltage Range	Rated Speed (RPM) 50/60Hz	Airflow (CFM) 50/60Hz	Noise Level (dB) 50/60Hz	Max. Static Pressure (H ₂ O) 50/60Hz
OA125AP-11/22-1WB	115 / 230 VAC	15 / 13 W	100-120 / 200-240	2450 / 2950	58 / 75	37	0.24 / 0.29
OA125AP-11/22-2WB	115 / 230 VAC	12 / 10 W	100-120 / 200-240	2300 / 2400	55 / 62	30	0.21 / 0.23
OA125AP-11/22-3WB	115 / 230 VAC	8 / 6 W	100-120 / 200-240	2000 / 1800	50 / 47	25	0.19 / 0.17

*PQ Airflow Data specifications are for 60 Hz operation

Dual Voltage Wiring Diagram 115VAC



Dual Voltage Wiring Diagram 230VAC

