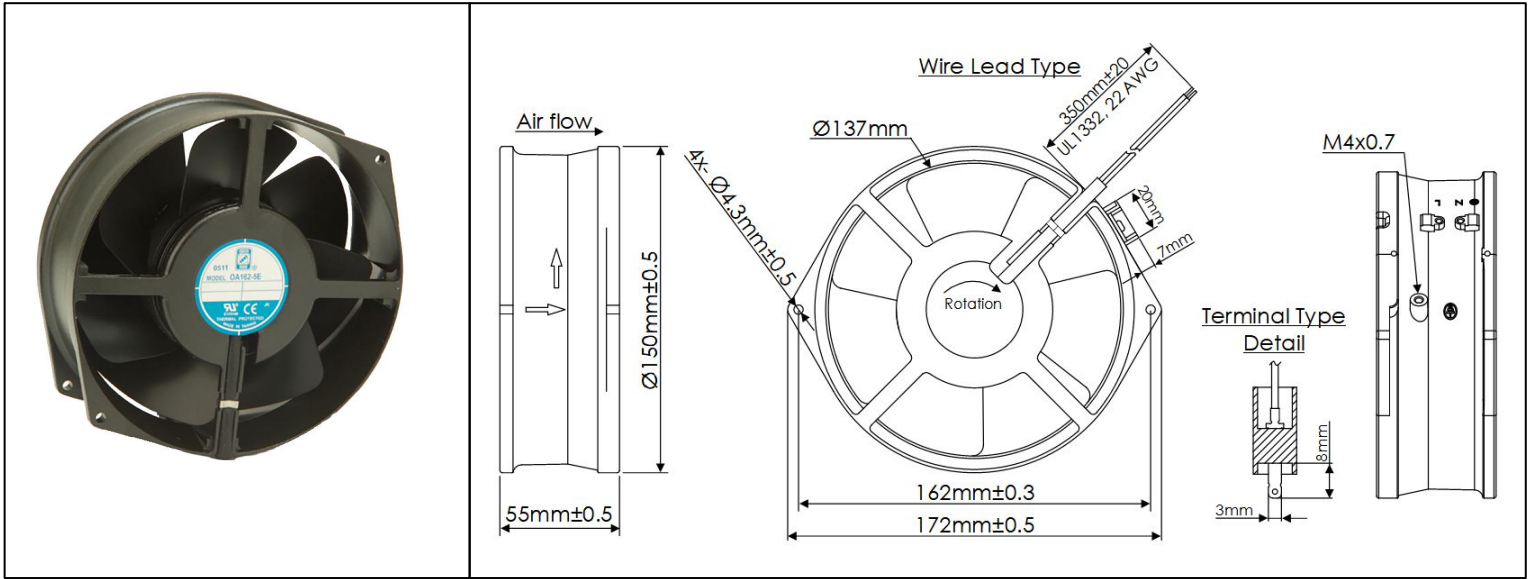


OA162 Series



AC Fans - 115, 230V
172mm x 150mm x 55mm
(6.8" x 5.9" x 2.2")



| | | |
|-----------------------|----------------------------------|--|
| Frame & Impeller | Die Cast Aluminum | Operating Temperature -40°C ~ +70°C Storage Temperature -40°C ~ +80°C Life Expectancy 40,000 Hours (L10 at 40°C) Weight: 2.43 lbs. |
| Connection | Lead Wires, 22 AWG, or Terminals | |
| Motor | Shaded Pole, Thermally Protected | |
| Bearing System | Ball Bearings | |
| Dielectric Strength | 1500VAC/min, <1mA | |
| Insulation Resistance | ≥100MΩ @ 500VAC/min | |

Static Pressure ("H₂O)

Airflow (CFM)

----- 50 Hz — 60 Hz

| Part Number | Rated Voltage (Volts AC) | Voltage Range (Volts AC) | Frequency (Hertz) | Locked Current (Amps) | Rated Current (Amps) | Rated Power (Watts) | Rated Speed (RPM) | Max Airflow (CFM) | Min Noise Level (dBA) | Max Static Pressure ("H ₂ O) |
|----------------|--------------------------|--------------------------|-------------------|-----------------------|----------------------|---------------------|-------------------|-------------------|-----------------------|---|
| OA162-5E-115*B | 115 | 100 ~ 125 | 50 / 60 | 0.88 / 0.75 | 0.52 / 0.47 | 42 / 42 | 2800 / 3250 | 195 / 230 | 49 / 53 | 0.55 / 0.63 |
| OA162-5E-230*B | 230 | 160 ~ 260 | 50 / 60 | 0.43 / 0.37 | 0.25 / 0.23 | 42 / 42 | 2800 / 3250 | 195 / 230 | 49 / 53 | 0.55 / 0.63 |

*Indicate "T" for Terminal type power connection, or "W" for Wire Lead type power connection