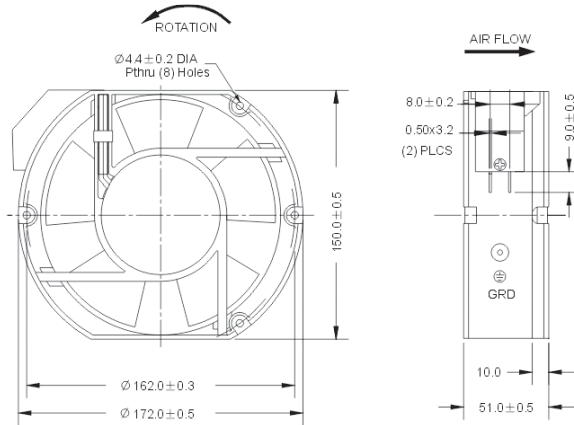


# OA172 'XC Series'



AC Fan - 115V, 230V  
172x150x51mm (6.7"x 5.9"x 2.0")



|                       |  |   |  |
|-----------------------|--|---|--|
| Frame                 | Diecast Aluminum                               | <b>Operating Temperature</b><br>Ball Bearing<br>-40C ~ +70C<br>Storage Temp<br>-40C ~ +80C<br><br><b>Life Expectancy</b><br>Ball Bearing<br>60,000 hours (L10 at 40C)<br><br>Weight: ~ 2.2 lbs. |  |
| Impeller              | PBT, UL94V-O plastic                           |   |  |
| Connection            | 2x Lead Wires or Terminals                     |   |  |
| Motor                 | Capacitor drive, thermally protected           |   |  |
| Bearing System        | Dual ball (Sleeve available)                   |   |  |
| Insulation Resistance | >100M ohm between lead-wire and frame (500VDC) |   |  |
| Dielectric Strength   | 1 min at 1500 VAC, 50/60Hz                     |   |  |

| Part Number          | OA172SAP-11-1 ( )B XC  | OA172SAP-22-1 ( )B XC  |
|----------------------|------------------------|------------------------|
| Nominal Voltage      | 115 VAC                | 230 VAC                |
| Voltage Range        | 100 ~ 125 VAC          | 200 ~ 240 VAC          |
| Rated Power          | 50 W (60 Hz)           | 50 W (60 Hz)           |
| Rated Speed (RPM)    | 3300                   | 3300                   |
| Airflow - CFM        | 300                    | 300                    |
| Noise Level - (dB)   | 61                     | 61                     |
| Max. Static Pressure | 0.78" H <sub>2</sub> O | 0.78" H <sub>2</sub> O |

( ) Indicate "T" for terminal or "W" for wire leads