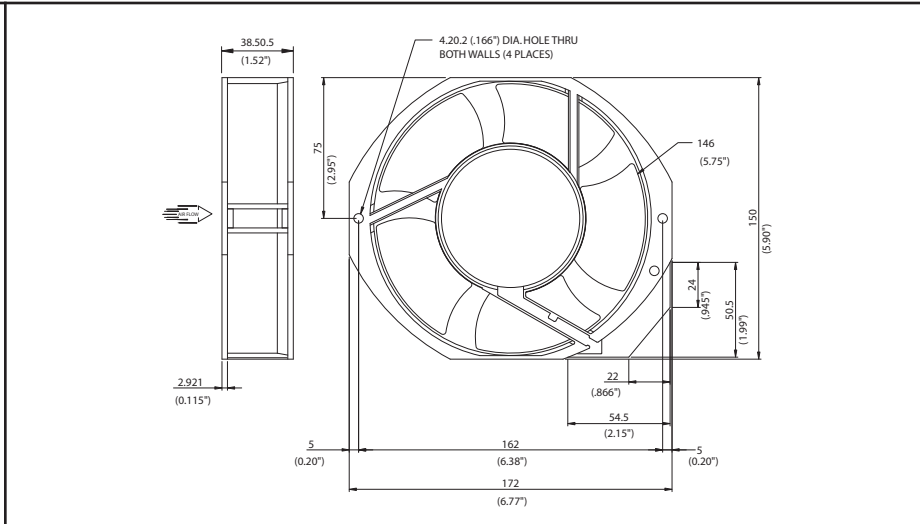


# OA172SAPL Series



AC Fan - 115, 230V  
172 x 150 x 38mm (6.7"x 5.9"x 1.5")



|                       |   |  |  |
|-----------------------|---|--|--|
| Frame                 | Die Cast Aluminum                             | <p><u>Operating Temperature</u><br/>Ball Bearing<br/>-20C ~ +80C<br/>Storage Temp<br/>-40C ~ +80C</p> <p><u>Life Expectancy</u><br/>Ball Bearing<br/>60,000 hours (L10 at 40C)</p> <p>Environmental Protection<br/>IP55 Rating</p> <p>Weight: 1.6 lbs.</p> <p>m2</p> |  |
| Impeller              | PBT, UL94V-0 Plastic                          |  |  |
| Connection            | 2x Lead Wires, or Terminals                   |  |  |
| Motor                 | Capacitor drive, Thermally protected          |  |  |
| Bearing System        | Ball Bearing                                  |  |  |
| Insulation Resistance | >100MOhm between Lead-wire and frame (500VDC) |  |  |
| Dielectric Strength   | 1500 VAC/min, <5mA                            |  |  |

| Model Number         | Speed (RPM) | Airflow (CFM) | Noise (dB) | Volts AC | Voltage Range | Watts | Max. Static Pressure (\"H <sub>2</sub> O) |
|----------------------|-------------|---------------|------------|----------|---------------|-------|---|
| OA172SAPL-11-1 *IP55 | 3400        | 228           | 58         | 115      | 103~126       | 28    | 0.87                                      |
| OA172SAPL-11-2 *IP55 | 2750        | 162           | 50         | 115      | 103~126       | 27    | 0.35                                      |
| OA172SAPL-11-3 *IP55 | 1700        | 103           | 44         | 115      | 103~126       | 26    | 0.26                                      |
| OA172SAPL-22-1 *IP55 | 3400        | 228           | 58         | 230      | 160~260       | 28    | 0.87                                      |
| OA172SAPL-22-3 *IP55 | 1700        | 103           | 44         | 230      | 160~260       | 26    | 0.26                                      |

\* Indicate "TB" for Terminal type or "WB" for Wire Leads