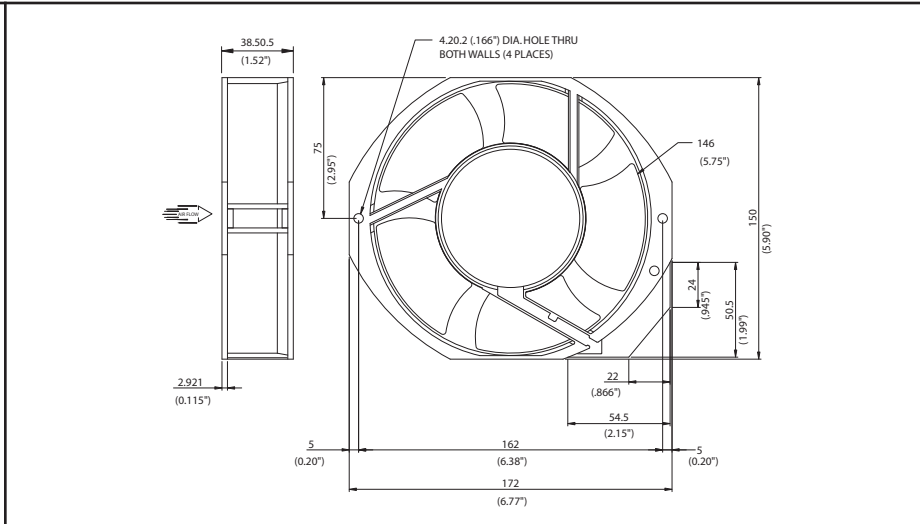


OA172SAPL Series



AC Fan - 115, 230V
172 x 150 x 38mm (6.7"x 5.9"x 1.5")



Frame	Die Cast Aluminum	<p><u>Operating Temperature</u> Ball Bearing -20C ~ +80C Storage Temp -40C ~ +80C</p> <p><u>Life Expectancy</u> Ball Bearing 60,000 hours (L10 at 40C)</p> <p>Environmental Protection IP55 Rating</p> <p>Weight: 1.6 lbs.</p> <p>m2</p>	
Impeller	PBT, UL94V-0 Plastic		
Connection	2x Lead Wires, or Terminals		
Motor	Capacitor drive, Thermally protected		
Bearing System	Ball Bearing		
Insulation Resistance	>100MOhm between Lead-wire and frame (500VDC)		
Dielectric Strength	1500 VAC/min, <5mA		

Model Number	Speed (RPM)	Airflow (CFM)	Noise (dB)	Volts AC	Voltage Range	Watts	Max. Static Pressure (\"H ₂ O)
OA172SAPL-11-1 *IP55	3400	228	58	115	103~126	28	0.87
OA172SAPL-11-2 *IP55	2750	162	50	115	103~126	27	0.35
OA172SAPL-11-3 *IP55	1700	103	44	115	103~126	26	0.26
OA172SAPL-22-1 *IP55	3400	228	58	230	160~260	28	0.87
OA172SAPL-22-3 *IP55	1700	103	44	230	160~260	26	0.26

* Indicate "TB" for Terminal type or "WB" for Wire Leads