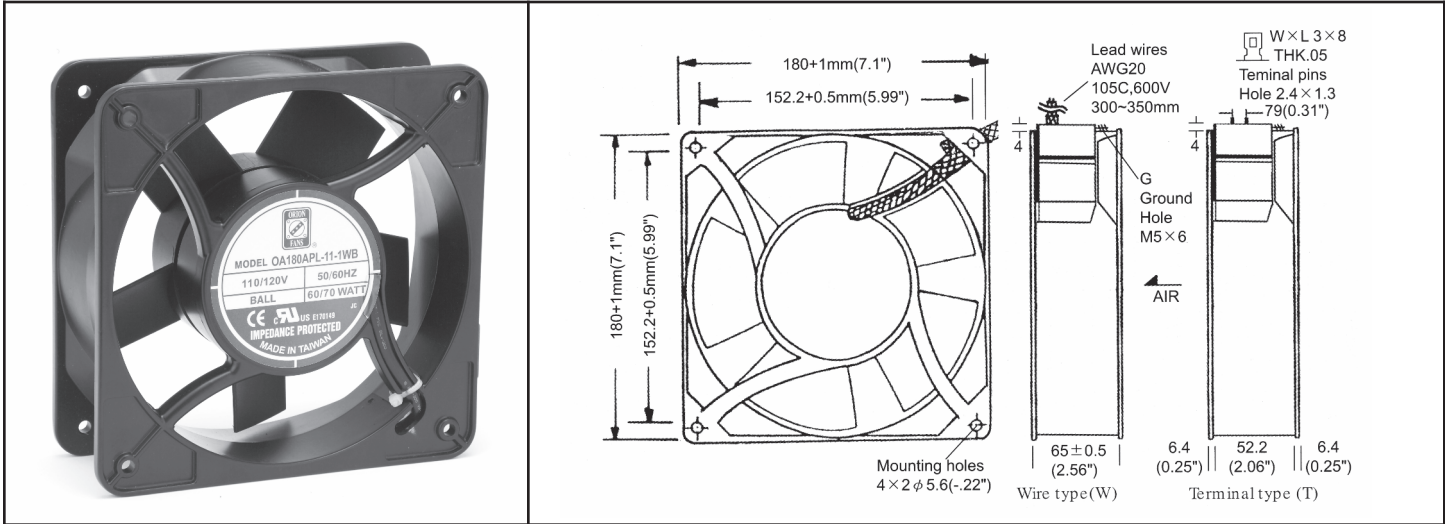


OA180APL Series



AC Fan - 115V, 230V
180 x 65mm (7.1" x 2.6")



Frame	Diecast Aluminum	<u>Operating Temperature</u> Ball Bearing -20C ~ +80C Storage Temp -40C ~ +80C <u>Life Expectancy</u> Ball Bearing 60,000 hours (L10 at 40C) Available as dual speed or dual voltage Weight: ~ 4.0 lbs. m0	
Impeller	PBT, UL94V-0 plastic		
Connection	2x Lead Wires 20 AWG or terminals		
Motor	Single phase Capacitor induction, 2/4 pole, inner rotor, thermal protection		
Bearing System	Dual ball		
Insulation Resistance	>100M ohm between lead-wire and frame (500VDC)		
Dielectric Strength	1 min at 1500 VAC, 50/60Hz		

Model Number	Speed (RPM)	Airflow (CFM)	Noise (dB)	Volts AC	Voltage Range	Watts	Max. Static Pressure (H ₂ O)
OA180APL-11-1 *	3300	405	60	115	60~130	70	0.83
OA180APL-11-2 *	2200	280	47	115	60~130	50	0.58
OA180APL-11-3 *	1650	210	40	115	60~130	38	0.43
OA180APL-22-1 *	3300	405	60	230	120~260	70	0.83
OA180APL-22-2 *	2200	280	47	230	120~260	50	0.58
OA180APL-22-3 *	1650	210	40	230	120~260	38	0.43

* Indicate "TB" for terminal or "WB" for wire leads